

CHAPTER

53

FUSELAGE

CESSNA®
MODEL 208
 ILLUSTRATED PARTS CATALOG

CHAPTER SECTION SUBJECT		NUMBER OF PAGES	DATE
53 - TITLE			
53 - LIST OF EFFECTIVE PAGES			
53 - RECORD OF TEMPORARY REVISIONS			
53 - TABLE OF CONTENTS			
53-10-00	Figure 01	10	Sep 1/2016
53-10-01	Figure 01	8	Apr 1/2016
53-10-01	Figure 02	8	Jun 1/2013
53-10-02	Figure 01	2	Jun 1/2010
53-10-02	Figure 02	2	Mar 1/2018
53-10-02	Figure 03	2	Jun 1/2010
53-10-02	Figure 04	2	Mar 1/2018
53-11-00	Figure 01	10	Mar 1/2015
53-12-00	Figure 01	6	Apr 1/2016
53-12-00	Figure 02	4	Dec 1/2012
53-12-00	Figure 03	6	Apr 1/2016
53-13-00	Figure 01	4	Dec 1/2012
53-13-00	Figure 02	4	Mar 1/2020
53-13-01	Figure 01	6	Apr 1/2016
53-13-01	Figure 02	8	Mar 1/2018
53-13-02	Figure 01	2	Dec 1/2012
53-13-02	Figure 02	2	Sep 1/2017
53-13-03	Figure 01	2	Jun 1/2010
53-13-03	Figure 02	4	Apr 1/2016
53-13-03	Figure 03	4	Mar 1/2015
53-13-03	Figure 04	6	Jun 1/2013
53-14-00	Figure 01	8	Mar 1/2020
53-14-00	Figure 02	6	Mar 1/2020
53-14-00	Figure 03	4	Mar 1/2020
53-15-00	Figure 01	8	Sep 1/2016
53-15-00	Figure 02	12	Sep 1/2016
53-20-00	Figure 01	4	Mar 1/2015
53-20-00	Figure 02	4	Mar 1/2017
53-20-00	Figure 03	4	Mar 1/2017
53-20-01	Figure 01	2	Dec 1/2000
53-20-01	Figure 02	2	Dec 1/2000
53-20-01	Figure 03	2	Mar 1/2015
53-20-02	Figure 01	2	Dec 1/2012
53-20-02	Figure 02	2	Jun 1/2010
53-20-05	Figure 01	2	Sep 1/2016
53-21-00	Figure 01	4	Mar 1/2019
53-21-00	Figure 02	4	Mar 1/2019
53-21-00	Figure 03	4	Mar 1/2019
53-22-00	Figure 01	4	Apr 1/2016
53-22-00	Figure 02	4	Apr 1/2016
53-22-01	Figure 01	4	Jun 1/2010
53-22-01	Figure 02	4	Mar 1/2020
53-22-01	Figure 03	6	Sep 1/2016
53-22-01	Figure 04	4	Mar 1/2020
53-22-01	Figure 05	6	Sep 1/2016
53-22-01	Figure 06	6	Mar 1/2020
53-22-02	Figure 01	2	Mar 1/2018
53-22-02	Figure 02	2	Mar 1/2020
53-23-00	Figure 01	2	Mar 1/2020
53-30-00	Figure 01	4	Mar 1/2008
53-30-00	Figure 02	2	Apr 1/2016

CESSNA®
MODEL 208
ILLUSTRATED PARTS CATALOG

CHAPTER SECTION SUBJECT		NUMBER OF PAGES	DATE
53-30-00	Figure 03	2	Apr 1/2016
53-30-00	Figure 04	2	Apr 1/2016
53-30-01	Figure 01	6	Mar 1/2017
53-30-01	Figure 02	6	Sep 1/2017
53-30-01	Figure 03	2	Jun 1/2013
53-30-02	Figure 01	2	Jun 1/2018
53-40-00	Figure 01	4	Mar 1/2018
53-40-00	Figure 02	4	Mar 1/2018
53-40-00	Figure 03	4	Mar 1/2018
53-50-00	Figure 01	2	Jun 1/2018
53-50-01	Figure 01	2	Mar 1/2020

CESSNA®
MODEL 208
 ILLUSTRATED PARTS CATALOG

<u>SUBJECT</u>	<u>CHAPTER</u>	<u>FIGURE</u>	<u>EFFECTIVITY</u>	
	<u>SECTION</u>		<u>START</u>	<u>END</u>
	<u>SUBJECT</u>			
FIREWALL INSTALLATION	53-10-00	01		
FORWARD FUSELAGE STRUCTURE	53-10-01	01	0001	& ON
FORWARD FUSELAGE STRUCTURE	53-10-01	02	B0001	& ON
FORWARD CABIN TOP COMPONENTS	53-10-02	01	0001	0223
FORWARD CABIN TOP COMPONENTS	53-10-02	02	0224	& ON
FORWARD CABIN TOP COMPONENTS	53-10-02	03	B0001	B0326
FORWARD CABIN TOP COMPONENTS	53-10-02	04	B0327	& ON
LOWER FORWARD FUSELAGE STRUCTURE	53-11-00	01		
CENTER FUSELAGE STRUCTURE	53-12-00	01	0001	& ON
CENTER FUSELAGE STRUCTURE	53-12-00	02	B0001	& ON
CENTER FUSELAGE STRUCTURE - FS 186.45 TO FS 228.00	53-12-00	03	B0001	& ON
UPPER CENTER FUSELAGE STRUCTURE	53-13-00	01	0001	& ON
UPPER CENTER FUSELAGE STRUCTURE	53-13-00	02	B0001	& ON
LOWER CENTER FUSELAGE STRUCTURE	53-13-01	01	0001	& ON
LOWER CENTER FUSELAGE STRUCTURE	53-13-01	02	B0001	& ON
CARGO DOOR JAMB STRUCTURE	53-13-02	01		
PASSENGER DOOR JAMB STRUCTURE PASSENGER VERSION	53-13-02	02	0001 B0214	& ON & ON
BULKHEAD ASSEMBLY - FS 166.45	53-13-03	01		
FORWARD CARRY THRU STRUCTURE	53-13-03	02		
FORWARD CARRY-THRU STRUCTURE	53-13-03	03	B0001	& ON
MAIN LANDING GEAR BULKHEAD STRUCTURE	53-13-03	04		
TAILCONE STRUCTURE	53-14-00	01	0001 B0214	& ON & ON
TAILCONE STRUCTURE - NOT APPLICABLE TO PASSENGER VERSION	53-14-00	02	B0001	& ON
TAILCONE STRINGERS AND COMPONENTS	53-14-00	03		
CARGO TIE DOWN STRUCTURE COMPONENTS CARGOMASTER	53-15-00	01	0123 0119	& ON & ON
CARGO TIE DOWN STRUCTURE COMPONENTS	53-15-00	02	B0214	& ON
CABIN FLOORBOARDS	53-20-00	01	0001	& ON
CABIN FLOORBOARDS	53-20-00	02	B0001	& ON
CABIN FLOORBOARDS - 208B PASSENGER VERSION	53-20-00	03	B0214	& ON
CABIN PLYWOOD FLOORBOARDS	53-20-01	01	0001	& ON
CABIN PLYWOOD FLOORBOARDS	53-20-01	02	B0001	& ON
CABIN PLYWOOD FLOORBOARDS - 5/8 INCH	53-20-01	03	B0001	& ON
TAILCONE FLOORBOARD INSTALLATION	53-20-02	01		
TAILCONE FLOORBOARD AND SHELF INSTALLATION - ARTEX ELT	53-20-02	02	0349 B0914	& ON & ON
TAILCONE SHELF ASSEMBLY	53-20-05	01		
FLOORBOARD ACCESS PANELS	53-21-00	01	0001	& ON
FLOORBOARD ACCESS PANELS - NOT APPLICABLE TO PASSENGER VERSION	53-21-00	02	B0001	& ON
FLOORBOARD ACCESS PANELS - PASSENGER VERSION	53-21-00	03	B0214	& ON
PEDESTAL STRUCTURE	53-22-00	01	0001 B0001	& ON B4999
PEDESTAL STRUCTURE	53-22-00	02	B5000	& ON
INSTRUMENT PANEL STRUCTURE	53-22-01	01	0001	0145
INSTRUMENT PANEL STRUCTURE USED WITH KFC250 AUTOPILOT	53-22-01	02	0007	0083
INSTRUMENT PANEL STRUCTURE USED WITH KFC150 AUTOPILOT	53-22-01	03	0084	& ON

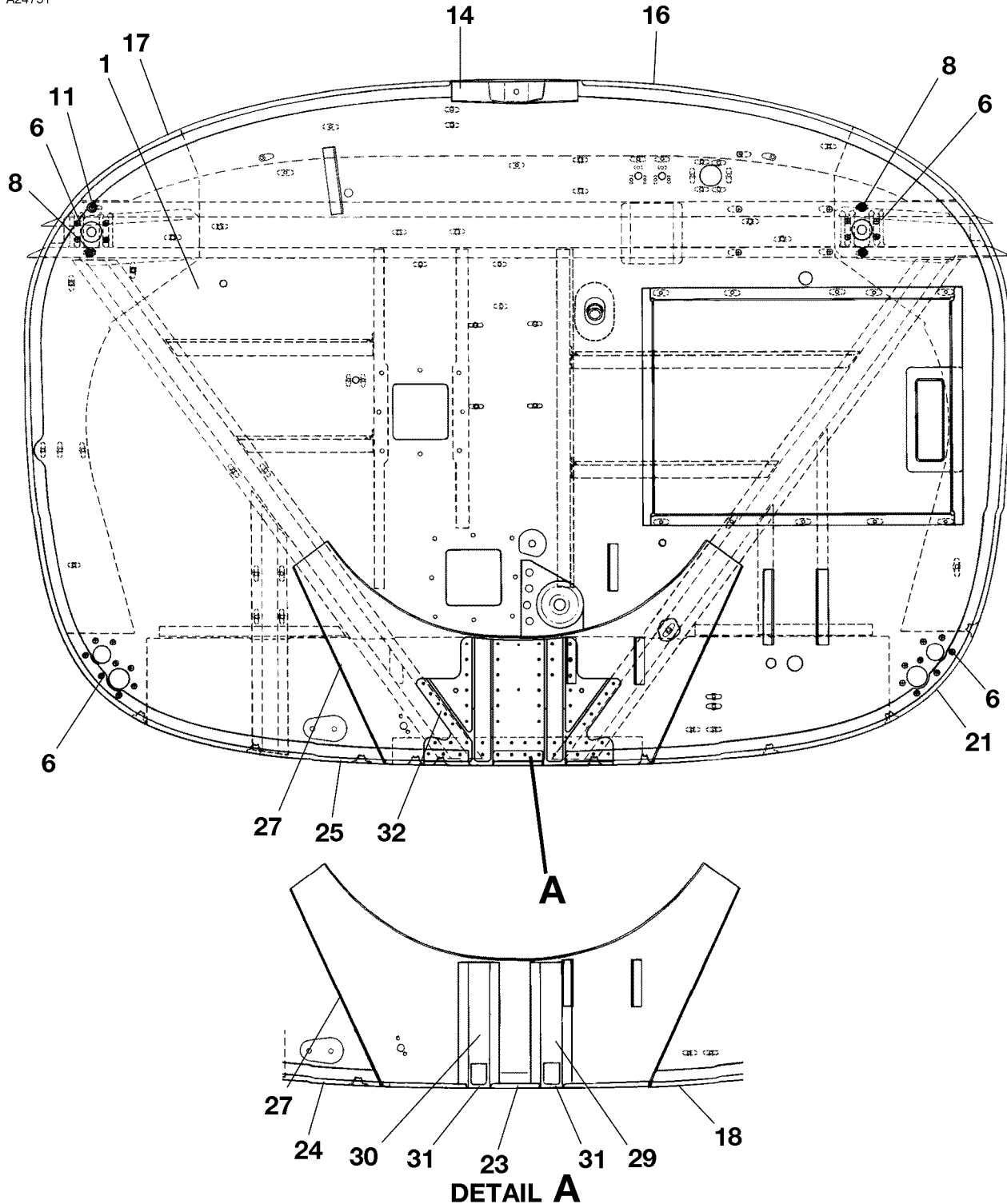
53 - TABLE OF CONTENTS

CESSNA®
MODEL 208
 ILLUSTRATED PARTS CATALOG

<u>SUBJECT</u>	<u>CHAPTER SECTION SUBJECT</u>	<u>FIGURE</u>	<u>EFFECTIVITY</u>	
			<u>START</u>	<u>END</u>
			B0001	& ON
INSTRUMENT PANEL STRUCTURE - CAT II AIRPLANES	53-22-01	04	B0044	B0179
INSTRUMENT PANEL STRUCTURE	53-22-01	05	0146	& ON
			B0180	& ON
G1000 INSTRUMENT PANEL	53-22-01	06	0500	& ON
			B2000	& ON
G1000 RACK ASSEMBLY	53-22-02	01	0001	0600
			B2225	B5400
G1000 NXI RACK ASSEMBLY	53-22-02	02	0601	& ON
			B5401	& ON
PLATES AND SKINS - TAILCONE VENTILATION AND DRAINAGE	53-23-00	01	B5563	& ON
FORWARD FUSELAGE SKINS AND COMPONENTS	53-30-00	01	0001	0499
FORWARD FUSELAGE SKINS AND COMPONENTS	53-30-00	02	B0001	B1999
FORWARD FUSELAGE SKINS AND COMPONENTS	53-30-00	03	B2000	& ON
FORWARD FUSELAGE SKINS AND COMPONENTS	53-30-00	04	0500	& ON
CENTER FUSELAGE SKINS AND COMPONENTS	53-30-01	01	0001	& ON
CENTER FUSELAGE SKINS AND COMPONENTS	53-30-01	02	B0001	& ON
TKS FAIRING INSTALLATION	53-30-01	03	0518	& ON
			B2000	& ON
TAILCONE SKINS AND COMPONENTS	53-30-02	01		
SEAT RAIL AND TRACK INSTALLATION	53-40-00	01	0001	& ON
SEAT RAIL AND TRACK INSTALLATION	53-40-00	02	B0001	& ON
SEAT RAIL AND TRACK INSTALLATION - PASSENGER	53-40-00	03	B0214	& ON
TAILCONE DORSAL ASSEMBLY	53-50-00	01		
STINGER AND FAIRING ASSEMBLY	53-50-01	01		

CESSNA®
MODEL 208
 ILLUSTRATED PARTS CATALOG

A24751



DETAIL A
 AIRPLANES 20800001 THRU 20800216
 AND 208B0001 THRU 208B0303
 NOT INCORPORATING SK 208-90

FIREWALL INSTALLATION
 FIGURE 01 (SHEET 1)

2613R3007
 A2613R3007

**CESSNA®
MODEL 208
ILLUSTRATED PARTS CATALOG**

FIG ITEM	PART NUMBER	NOMENCLATURE	UNITS PER ASSY	
			1 2 3 4 5 6 7	
01		FIREWALL INSTALLATION		RF
- 1	2653000-2	. FIREWALL SHEET FSO 2653040-2	0001	0013 NP
- 2	2653000-33	. FIREWALL SHEET FSO 2653040-2	0014	0125 NP
			B0001	B0041
- 3	2653000-55	. FIREWALL SHEET FSO 2653040-2 REFER TO NOTE 1	0126	0216 NP
			B0042	B0303
- 4	2653040-2	. FIREWALL SHEET .016 302 ANNEALED REFER TO NOTE 2	0217	0224 01
			B0304	B0330
- 5	2653040-3	. FIREWALL SHEET .016 302 ANNEALED FSO 2653040-4	0225	0360 NP
			B0331	B0980
- 5A	2653040-4	. FIREWALL SHEET .016 302 ANNEALED	0361	0381 01
			B0981	B1086
- 5B	2653040-6	. FIREWALL SHEET .016 302 ANNEALED	0382	0499 01
			B1087	B1999
- 5C	2653040-7	. FIREWALL SHEET .016 302 ANNEALED FSO 2653050-1	0500	0564 NP
			B2000	B4999
- 5D	2653050-1	. FIREWALL SHEET .016 302 ANNEALED	0565	& ON 01
			B5000	& ON
6	AN525-10R6	. SCREW		24
- 7	NAS1149F0332P	. WASHER		24
8	AN525-10R9	. SCREW		03
- 9	AN970-3	. WASHER		03
- 10	MS21047L3	. NUTPLATE		03
11	AN525-10R9	. SCREW		01
- 12	AN970-3	. WASHER		01
- 13	NAS682A3	. NUTPLATE		01
14	2651029-1	. BRACKET ASSY-COWL ATTACH		01
- 15	S2319-50	. RECEPTACLE-COWL ATTACH		02
16	2653000-11	. FLANGE RING-UPR LH .016 302 ANNEALED		01
17	2653000-10	. FLANGE RING-UPR RH .016 302 ANNEALED		01
18	2653000-9	. FLANGE RING-LWR LH FSO 2653000-60	0001	0013 NP
- 19	2653000-58	. FLANGE RING-LWR LH FSO 2653000-60	0014	0199 NP
			B0001	B0247
- 20	2653000-60	. FLANGE RING-LWR LH .016 302 ANNEALED REFER TO NOTE 1	0001	0216 01
			B0001	B0303
21	2653041-1	. FLANGE RING-LH LWR FSO 2653042-1 REFER TO NOTE 3	0217	0227 NP
			B0304	B0336
- 22	2653042-1	. FLANGE RING-LH LWR FSO 2653042-3 208 ONLY	0228	0360 01
			B0337	B1301
- 22A	2653042-3	. FLANGE RING-LH LWR	0361	& ON 01
			B5000	& ON
- 22B	2653042-5	. FLANGE RING-LH LWR	B1302	B4999 01
23	2653000-13	. CLIP REFER TO NOTE 1	0001	0216 01
			B0001	B0303
24	2653000-32	. FLANGE RING-LWR RH .016 302 ANNEALED	0001	0216 01
			B0001	B0303
25	2653041-2	. FLANGE RING-RH LWR FSO 2653042-2	0217	0227 NP
			B0304	B0336
- 26	2653042-2	. FLANGE RING-RH LWR FSO 2653042-4 208 ONLY	0228	0360 01
			B0337	B1301
- 26A	2653042-4	. FLANGE RING-RH LWR	0361	& ON 01
			B5000	& ON
- 26B	2653042-6	. FLANGE RING-RH LWR	B1302	B4999 01
27	2653000-5	. DOUBLER-LWR FWD .040 2024 T42 REFER TO NOTE 1	0001	0216 01
			B0001	B0303
- 28	2653037-1	. DOUBLER-LWR FWD .040 2024 T42 REFER TO NOTE 4	0217	0329 01
			B0304	& ON
29	2653012-1	. SUPPORT CHANNEL-LH .050 2024 T42 REFER TO NOTE 1	0001	0216 01
			B0001	B0303
30	2653012-2	. SUPPORT CHANNEL-RH .050 2024 T42 REFER TO NOTE 1	0001	0216 01
			B0001	B0303
31	2653000-17	. EXTRUSION-NOSE GEAR ATTACH REFER TO NOTE 1	0001	0216 02
			B0001	B0303
32	2653035-1	. FITTING-NOSE GEAR ATTACH 1.50 7075 T7351 REFER TO NOTE 4	0217	0329 01
			B0304	& ON

NOTE 1—NOT INCORPORATING SK208-90

NOTE 2—AIRPLANES -0217 THRU -0224 AND -B0304 THRU -B0330, AND AIRPLANES -0126 THRU -0216 AND -B0042 THRU -B0303 INCORPORATING SK208-90.

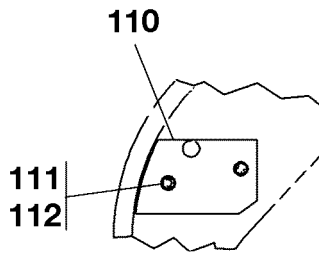
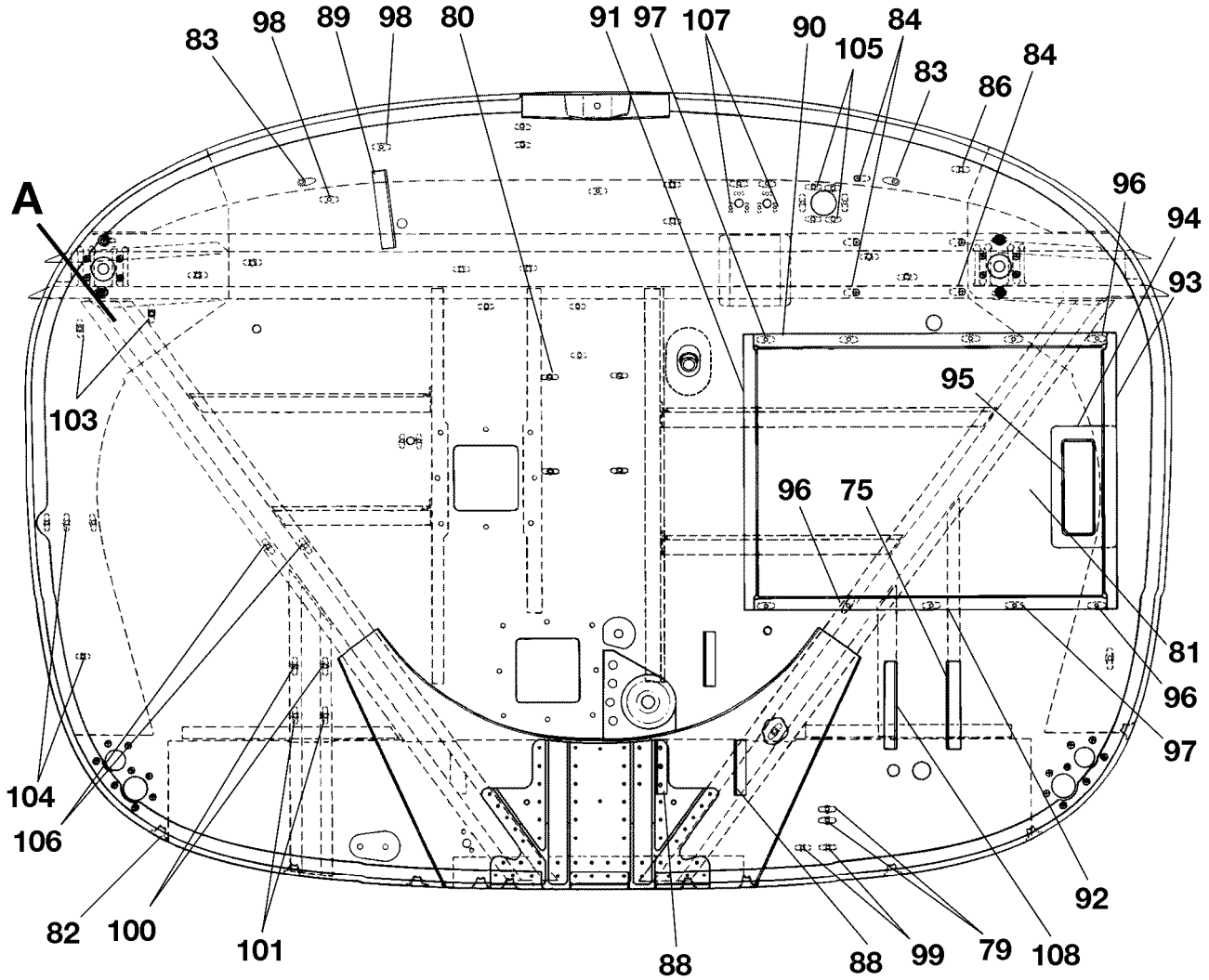
NOTE 3—AIRPLANES -0217 THRU -0227 AND -B0304 THRU -B0336, AND AIRPLANES -0126 THRU -0216 AND -B0042 THRU -B0303 INCORPORATING SK208-90.

NOTE 4—AIRPLANES -0217 AND ON AND -B0304 AND ON, AND AIRPLANES -0126 THRU -0216 AND -B0042 THRU -B0303 INCORPORATING SK208-90.

- ITEM NOT ILLUSTRATED

CESSNA®
MODEL 208
 ILLUSTRATED PARTS CATALOG

A24752



DETAIL A

AIRPLANES EQUIPPED WITH 300 AMP STARTER/GENERATOR AND AIRPLANES B5000 AND ON

FIREWALL INSTALLATION
 FIGURE 01 (SHEET 2)

26133007
 A2614T1276

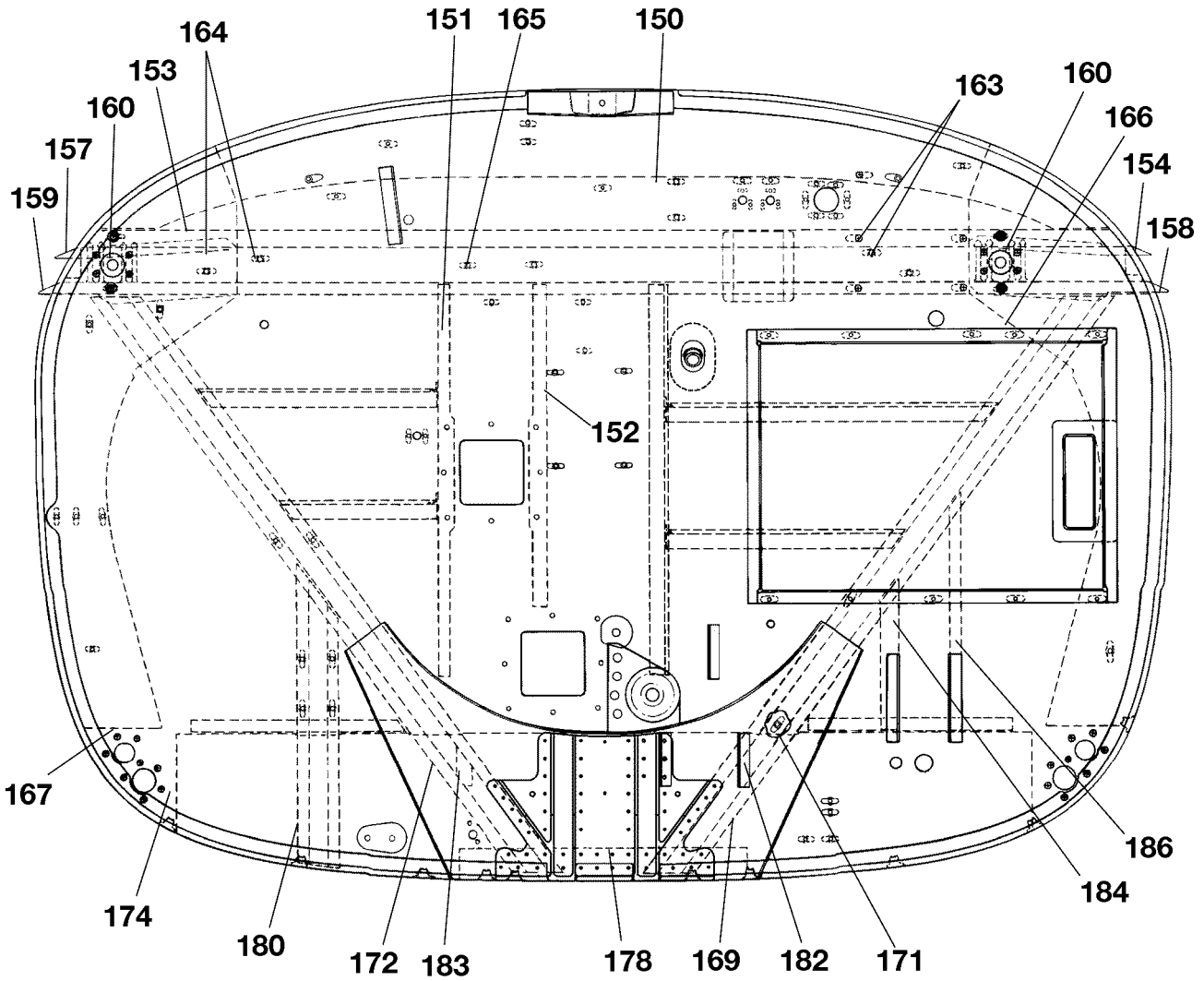
CESSNA®
MODEL 208
ILLUSTRATED PARTS CATALOG

FIG ITEM	PART NUMBER	NOMENCLATURE	UNITS PER ASSY		
			1	2	3
01					
75	2626013-6	. SUPPORT ASSY .040 4130 90K	0001	0131	01
- 76	MS21061L3K	. . NUTPLATE	B0001	B0065	
			0001	0131	03
			B0001	B0065	
- 77	2626013-8	. SUPPORT ASSY .040 4130 90K	0132	0329	01
			B0066	B4999	
- 78	2656001-19	. BRACKET-FUEL ECOLOGY	B5000	& ON	01
- 78A	MS21061L3K	. . NUTPLATE	0132	0329	02
			B0066	& ON	
79	MS21047L3	. NUTPLATE			02
80	MS21047L08K	. NUTPLATE			04
81		. ELECTRIC POWER BOX REFER TO 24-50-02 FIGURE 01			RF
82	S2319-50	. RECEPTACLE COWL ATTACH			10
83	NAS682A3	. NUTPLATE			02
84	MS35207-263	. SCREW			05
- 85	NAS682C3	. NUTPLATE			05
86	MS35207-263	. SCREW			01
- 87	MS21047L3K	. NUTPLATE			01
88		. INERTIAL SEPARATOR ACTUATOR REFER TO 71-60-00 FIGURE 02			RF
89	2653000-52	. STIFFENER S85			01
90	2653000-48	. STIFFENER UPPER .025 302 ANNEALED			01
91	2653000-47	. STIFFENER INBD .025 302 ANNEALED			01
92	2653000-50	. STIFFENER LOWER .025 302 ANNEALED			01
93	2653000-49	. STIFFENER OUTBD .025 302 ANNEALED			01
94	2653000-46	. DOUBLER .016 302 ANNEALED			01
95	2613097-1	. SLEEVE ASSY-FIREWALL			01
96	MS21047L3	. NUTPLATE RELAY BOX ATTACH			03
97	MS21047L3K	. NUTPLATE RELAY BOX ATTACH			07
98	MS21047L08K	. NUTPLATE			02
99	MS21047L3	. NUTPLATE			02
100	MS21047L3	. NUTPLATE			02
101	MS21047L3	. NUTPLATE	0001	0013	02
- 102	NAS682A3	. NUTPLATE	0014	& ON	02
			B0001	& ON	
103	MS21047L3	. NUTPLATE			02
104	MS21047L3	. NUTPLATE			04
105	MS2104708K	. NUTPLATE			06
106	MS21047L6	. NUTPLATE			02
107	MS21069L06K	. NUTPLATE			06
108	2626013-6	. SUPPORT ASSY .040 4130 90K	0001	0329	01
			B0001	B4999	
- 109	MS21061L3K	. . NUTPLATE	0330	& ON	03
			B0001	& ON	
110	2670122-2	. PLATE-GROUND USED WITH 300 AMP STARTER/GENERATOR			01
		. ATTACHING PARTS			
111	NAS566-35	. BOLT			02
112	NAS1149F0663P	. WASHER			02

- ITEM NOT ILLUSTRATED

CESSNA®
MODEL 208
ILLUSTRATED PARTS CATALOG

A24753



2613T3007

FIREWALL INSTALLATION
FIGURE 01 (SHEET 3)

**CESSNA®
MODEL 208
ILLUSTRATED PARTS CATALOG**

FIG ITEM	PART NUMBER	NOMENCLATURE	UNITS PER ASSY																
			1	2	3	4	5	6	7										
01																			
150	2653002-1	. DOUBLER-UPPER AFT .040 2024 T42																	01
151	2653000-23	. STIFFENER-OUTBD .032 2024 T3																	01
152	2653000-24	. STIFFENER-INBD .032 2024 T3																	01
153	2653015-1	. STIFFENER ASSY																	01
154	2653015-7	. . GUSSET ASSY-UPR LH .063 2024 T42																	01
- 155	MS21047L3	. . . NUTPLATE																	02
- 156	MS21047L06	. . . NUTPLATE																	02
157	2653015-4	. . GUSSET-UPR RH .063 2024 T42																	01
158	2653015-5	. . GUSSET-LWR LH .063 2024 T42																	01
159	2653015-6	. . GUSSET-LWR RH .063 2024 T42																	01
160	2613229-2	. . BLOCK-ENGINE MOUNT 1.50X2.00 7075 T73																	02
		ATTACHING PARTS																	
- 161	NAS1054-8-33	. . RIVET-HI SHEAR																	04
- 162	NAS528A8	. . COLLAR																	04
		—*—																	
163	MS21047L08	. . NUTPLATE																	02
164	MS21047L3	. . NUTPLATE																	02
165	MS21047L3	. . NUTPLATE								0035	& ON								02
										B0001	& ON								
166	2653000-53	. DOUBLER-LH .040 2024 T42																	01
167	2653000-54	. DOUBLER-RH .040 2024 T42																	01
- 168	2653000-16	. SPACER .040 2024 T3																	02
- 168A	2670007-32	. BRACKET								0500	& ON								02
										B2000	& ON								
169	2653000-21	. BRACE ASSY-LH REFER TO NOTE 1								0001	0216								01
										B0001	B0303								
- 170	2653038-3	. BRACE ASSY-LH REFER TO NOTE 2								0220	0360								01
										B0312	B4999								
- 170A	2653038-5	. BRACE ASSY-LH REFER TO NOTE 2								0361	& ON								01
										B5000	& ON								
171	MS21047L3	. . NUTPLATE																	01
172	2653000-8	. BRACE-RH								0001	0216								01
										B0001	B0303								
- 173	2653038-2	. BRACE-RH REFER TO NOTE 2								0220	0360								01
										B0312	B4999								
- 173A	2653038-6	. BRACE-RH REFER TO NOTE 2								0361	& ON								01
										B5000	& ON								
- 173B	MS21069L08	. NUTPLATE								0220	& ON								01
										B0312	& ON								
174	2653000-15	. DOUBLER-LWR AFT .040 2024 T42								0001	0013								01
- 175	2653000-35	. DOUBLER-LWR AFT FSO 2653000-56								0014	0125								01
										B0001	B0041								
- 176	2653000-56	. DOUBLER-LWR AFT .040 2024 T42								0126	0216								01
										B0042	B0301								
- 177	2653039-1	. DOUBLER-LWR AFT.040 2024 T42								0220	& ON								01
										B0312	& ON								
178	2653000-14	. STIFFENER REFER TO NOTE 1 S265-1								0001	0216								01
										B0001	B0303								
- 179	2653036-1	. STIFFENER REFER TO NOTE 2 S265-1								0217	& ON								01
										B0304	& ON								
180	2653000-6	. BRACE S1541-2								0001	0013								01
- 181	2653000-34	. SLIDE BRACE S1541-2								0014	& ON								01
										B0001	& ON								
182	2613094-1	. BRACKET-LH .040 2024 T42																	01
183	2613094-2	. BRACKET-RH .040 2024 T42																	01
184	2653000-18	. STIFFENER-INBD .032 2024 T3								0001	0013								01
- 185	2653000-36	. STIFFENER-INBD .032 2024 T3								0014	& ON								01
186	2653000-19	. STIFFENER-OUTBD S85								0001	0013								01
- 187	2653000-37	. STIFFENER-OUTBD S85								0014	& ON								01

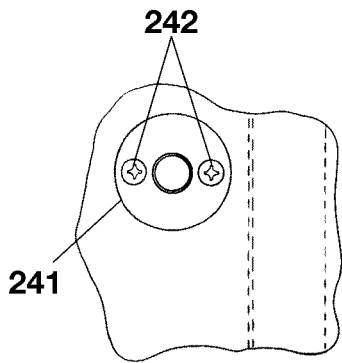
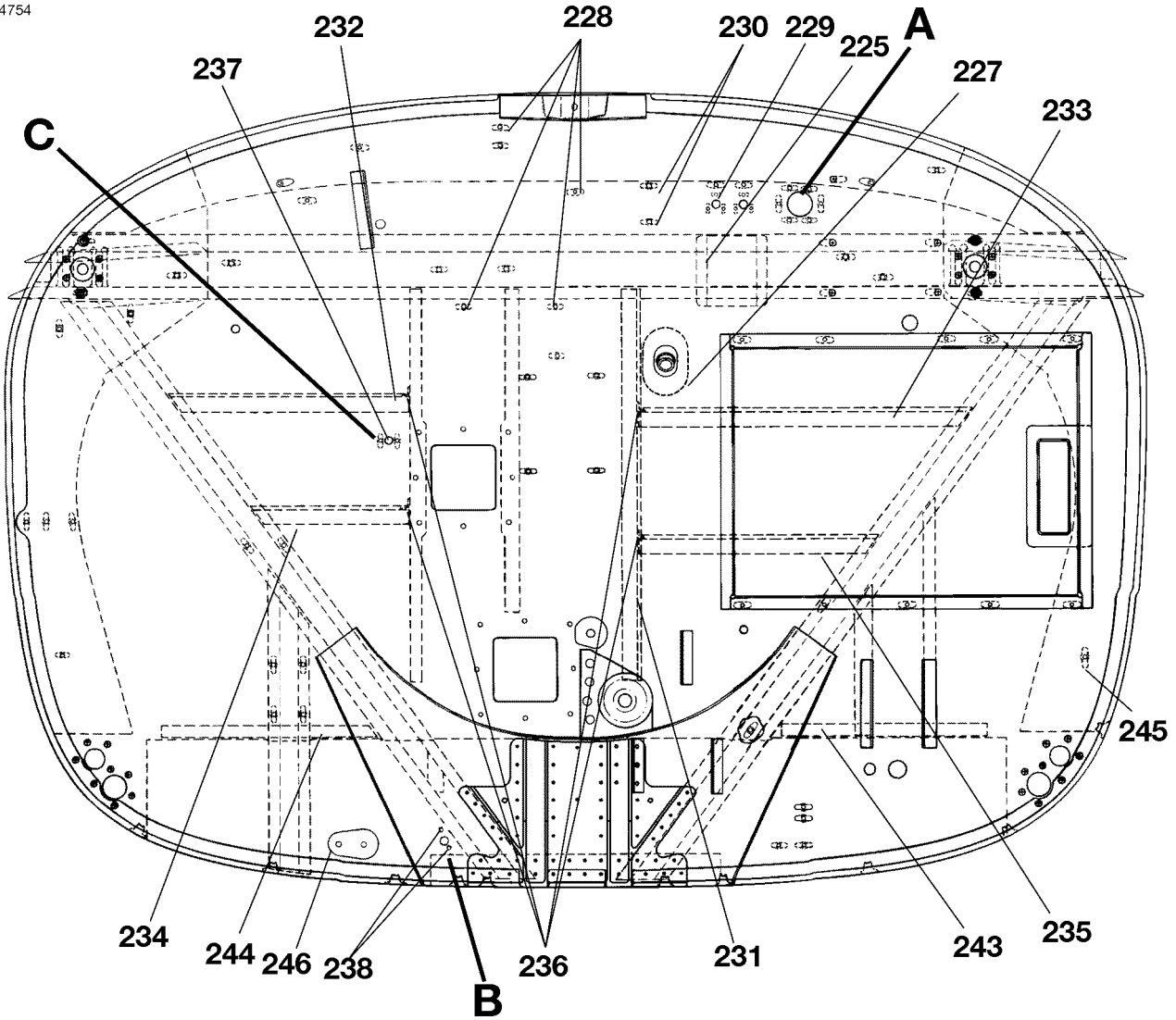
NOTE 1—NOT INCORPORATING SK208-90.

NOTE 2—AIRPLANES -0217 AND ON AND -B0304 AND ON, AND AIRPLANES -0126 THRU -0216 AND -B0042 THRU -B0303 INCORPORATING SK208-90.

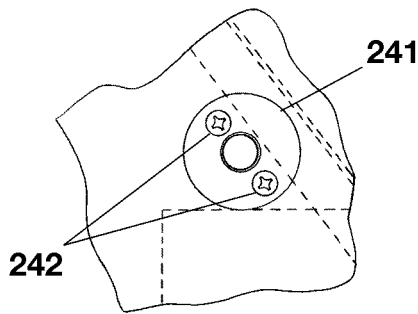
CESSNA®
MODEL 208

ILLUSTRATED PARTS CATALOG

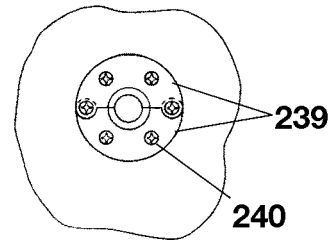
A24754



DETAIL C



DETAIL B



DETAIL A

2613R3007
A2613R1006
B2613R1007
C2613R1008

FIREWALL INSTALLATION
FIGURE 01 (SHEET 4)

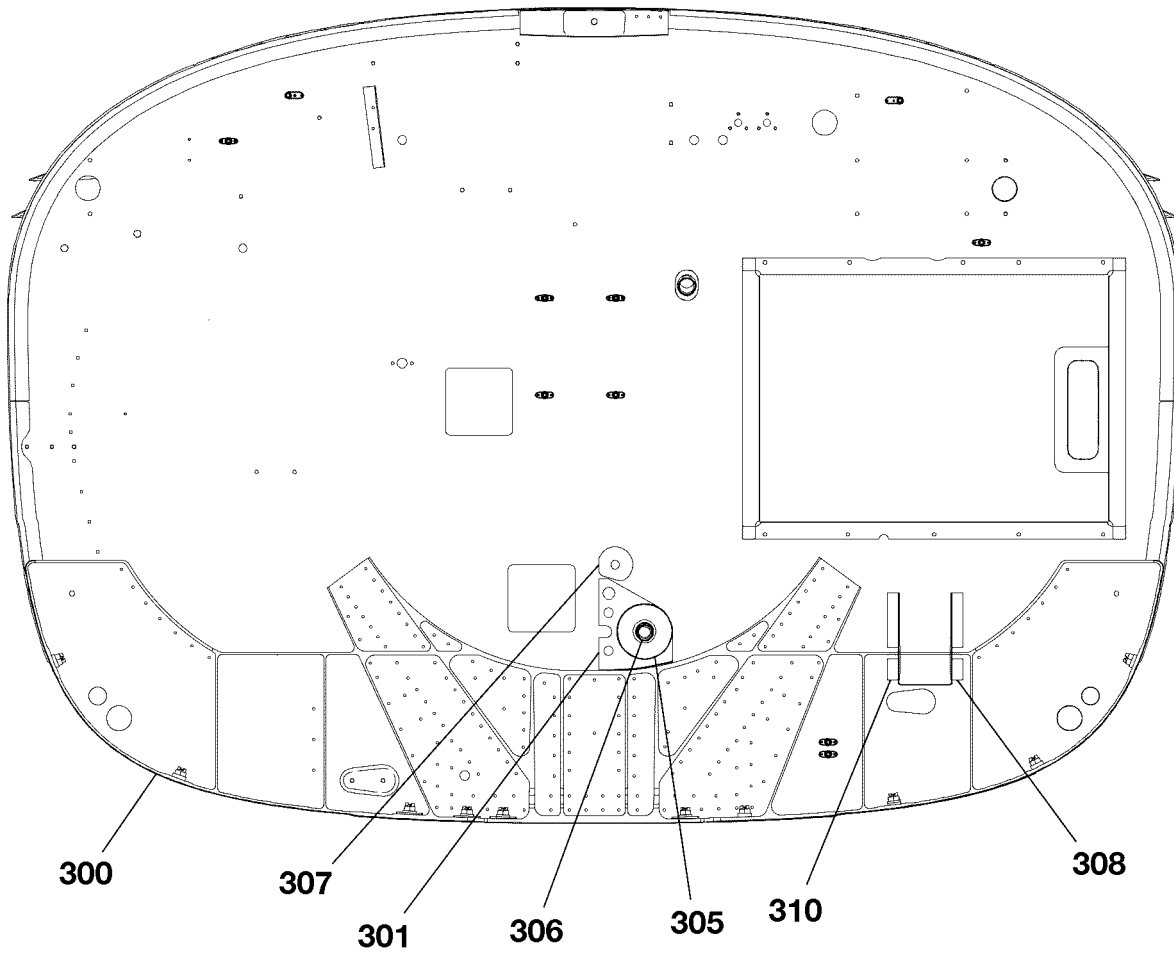
CESSNA®
MODEL 208
 ILLUSTRATED PARTS CATALOG

FIG ITEM	PART NUMBER	NOMENCLATURE	UNITS PER ASSY																
			1	2	3	4	5	6	7										
01																			
225	2653030-1	. BRACKET ASSY .032 2024 T3																	01
- 226	NAS697A06L	. . NUT																	04
227		. INERTIAL ACTUATOR SEPARATOR REFER TO 71-60-00 FIGURE 02																	RF
228	MS21047L3K	. NUTPLATE																	05
229	MS21047L3K	. NUTPLATE								0001		0027							02
230	MS21047L3K	. NUTPLATE								0028		& ON							02
										B0001		& ON							
231	2653000-40	. STIFFENER S49																	01
232	2653000-43	. STIFFENER S49																	01
233	2653000-42	. STIFFENER S49																	01
234	2653000-44	. STIFFENER S49																	01
235	2653000-41	. STIFFENER S49																	01
236	2653000-45	. CLIP-STIFFENER SUPPORT .020 2024 T3																	01
237	MS21047L08K	. NUTPLATE																	02
238	MS21073L08K	. NUTPLATE																	02
239	2150903-13	. SEAL ASSY-FIREWALL WIRE BUNDLE																	02
		ATTACHING PARTS																	
240	MS35206-245	. SCREW																	03
		—*—																	
241	2150903-19	. SEAL ASSY-FIREWALL HEATER CONTROL																	02
		ATTACHING PARTS																	
242	MS35206-241	. SCREW																	02
- 242A	NAS1149FN832P	. WASHER																	02
- 242B	MS21044N08	. NUT																	02
		—*—																	
243	2653000-25	. STIFFENER-LH S376								0014		& ON							01
										B0001		& ON							
244	2653000-26	. STIFFENER-RH S376								0014		& ON							01
										B0001		& ON							
245	MS21047L4	. NUTPLATE								0068		& ON							01
										B0001		& ON							
246	2653000-57	. COVER .032 301 1/2HARD2B								0126		& ON							01
										B0042		& ON							
		ATTACHING PARTS																	
- 247	MS35207-263	. SCREW								0126		& ON							02
										B0042		& ON							
- 248	NAS1149D0332K	. WASHER								0126		& ON							02
										B0042		& ON							
- 249	MS21044N3	. NUT								0126		& ON							02
										B0042		& ON							
		—*—																	

- ITEM NOT ILLUSTRATED

CESSNA®
MODEL 208
ILLUSTRATED PARTS CATALOG

A24495



2613T3007A

FIREWALL INSTALLATION
FIGURE 01 (SHEET 5)

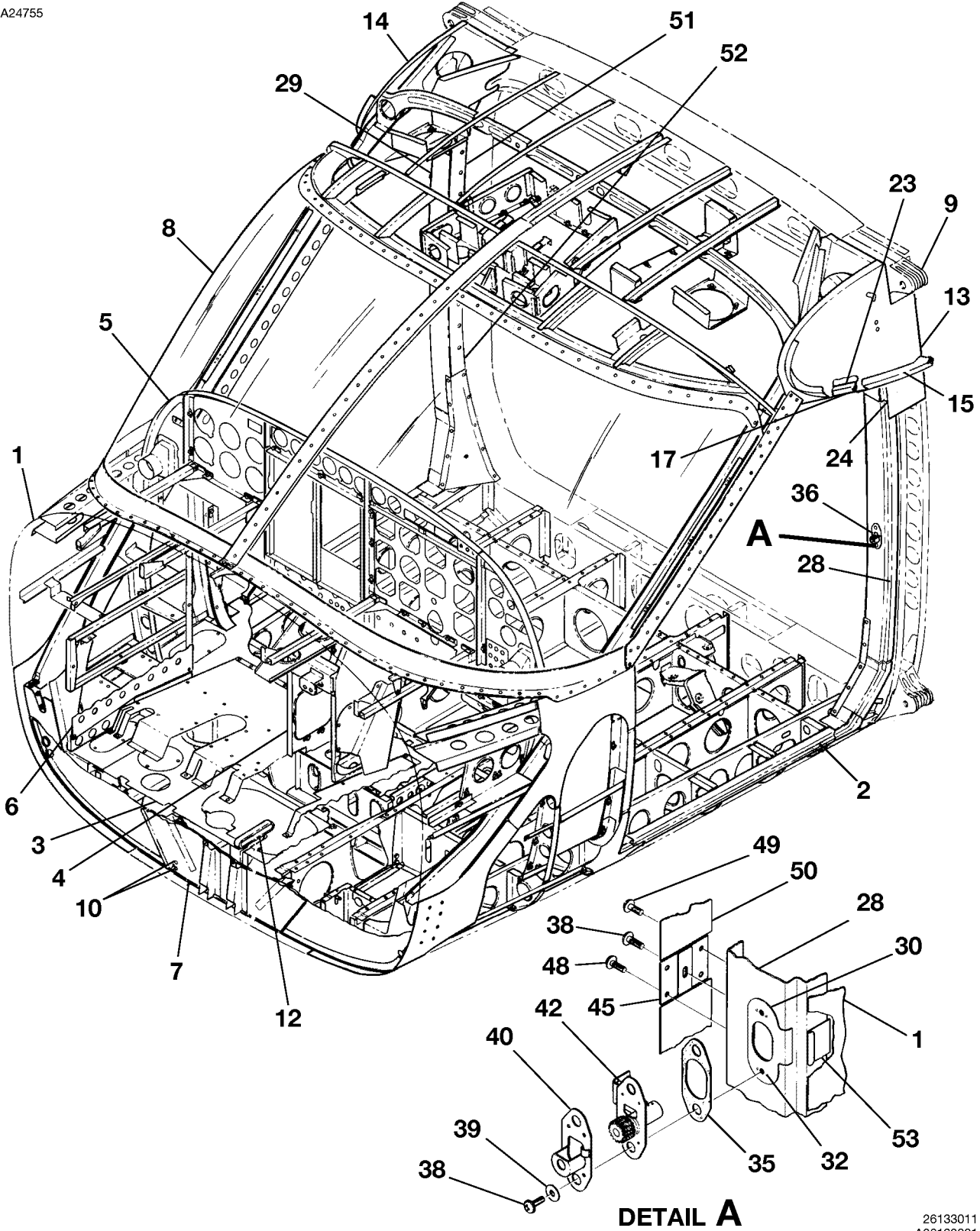
CESSNA®
MODEL 208
 ILLUSTRATED PARTS CATALOG

FIG ITEM	PART NUMBER	1 2 3 4 5 6 7	NOMENCLATURE	UNITS PER ASSY		
01						
300	2653046-1	.	FWD FIREWALL FITTING	0330	& ON	01
				B5000	& ON	
301	2643056-2	.	DOUBLER FSO 2653056-4	0001	0217	NP
				B0001	B0305	
- 302	2643056-3	.	DOUBLER FSO 2653056-4	0218	0224	NP
				B0218	B0330	
- 303	2643056-4	.	DOUBLER	0225	0329	01
				B0331	B4999	
- 304	2643056-5	.	DOUBLER	0330	& ON	01
				B5000	& ON	
305	2643058-1	.	BUSHING ASSY-NOSE GEAR STEERING			01
306	2643056-1	.	BUSHING RETAINER			01
307	2653051-1	.	DOUBLER-CABLE SLEEVE	B5000	& ON	01
- 307A	2653051-2	.	FIREWALL PATCH	0602	& ON	01 R
308	2626013-13	.	BRACKET ASSY-LH .040 4130 90K	0330	& ON	01
- 309	MS21061L3K	.	NUTPLATE	0330	& ON	03
310	2626013-12	.	BRACKET ASSY-RH .040 4130 90K	0330	& ON	01
- 311	MS21061L3K	.	NUTPLATE	0330	& ON	03

- ITEM NOT ILLUSTRATED

CESSNA®
MODEL 208
ILLUSTRATED PARTS CATALOG

A24755



FORWARD FUSELAGE STRUCTURE
FIGURE 01 (SHEET 1)

26133011
A26132001

CESSNA®
MODEL 208
ILLUSTRATED PARTS CATALOG

FIG ITEM	PART NUMBER	NOMENCLATURE	UNITS		
			PER	ASSY	
01		FORWARD FUSELAGE STRUCTURE	0001	& ON	RF
-		FORWARD FUSELAGE SKINS AND COMPONENTS REFER TO 53-30-00			RF
1		FIGURE 02			
2		LOWER FORWARD FUSELAGE STRUCTURE REFER TO 53-11-00 FIGURE 01			RF
3		CABIN FLOORBOARDS INSTALLATION REFER TO 53-20-00 FIGURE 01			RF
4		PEDESTAL STRUCTURE REFER TO 53-22-00 FIGURE 01			RF
5		STATIONARY INSTRUMENT PANEL STRUCTURE REFER TO 53-22-01 FIGURE 01			RF
6		AVIONICS RACK REFER TO 25-70-00 FIGURE 01			RF
7		FIREWALL INSTALLATION REFER TO 53-10-00 FIGURE 01			RF
8		WINDSHIELD INSTALLATION REFER TO 56-10-00 FIGURE 01			RF
9		CENTER FUSELAGE STRUCTURE REFER TO 53-12-00 FIGURE 01			RF
10	NAS221-11	SCREW			02
- 11	NAS1149F0463P	WASHER			02
12	2643075-1	GUIDE ASSY-NOSE GEAR STEERING	0001	0219	01
- 12A	2643075-6	GUIDE ASSY-NOSE GEAR STEERING	0220	0329	01
- 12B	2643075-7	GUIDE ASSY-NOSE GEAR STEERING	0330	& ON	01
13	2613135-11	ROOT RIB-LH .050 2024 T42	0001	0499	01
- 13A	2613135-13	ROOT RIB-LH .050 2024 T42 REFER TO NOTE 1	0500	& ON	01 R
- 13B	2613135-201	ROOT RIB-LH .050 2024 T42 REFER TO NOTE 1	0533	0549	01 R
14	2613135-12	ROOT RIB-RH .050 2024 T42	0001	0499	01
- 14A	2613135-14	ROOT RIB-RH .050 2024 T42 REFER TO NOTE 1	0500	& ON	01
- 14B	2613135-202	ROOT RIB-RH .050 2024 T42 REFER TO NOTE 1	0533	0549	01 R
15	2620014-19	SUPPORT ASSY-LH WING FAIRING .032 2024 T42			01
- 16	2620014-20	SUPPORT ASSY-RH WING FAIRING .032 2024 T42			01
17	2613140-1	DOOR JAMB-UPPER LH CREW DOOR .040 2024 T42			01
- 18	2613140-2	DOOR JAMB-UPPER RH CREW DOOR .040 2024 T42			01
- 19	2613155-1	CLOSURE-LH UPR FWD .025 2024 T42			01
- 20	2613155-3	PLATE-LH UPR FWD .025 2024 T42			01
- 21	2613155-2	CLOSURE-RH UPR FWD .025 2024 T42			01
- 22	2613155-4	PLATE-RH UPR FWD .025 2024 T42			01
23	2613394-1	SHIM .025 2024 T3			AR
24	2613226-1	CLOSURE-LH UPR AFT .025 2024 T42			01
- 25	2613226-3	PLATE-LH UPR AFT .025 2024 T42			01
- 26	2613226-2	CLOSURE-RH UPR AFT .025 2024 T42			01
- 27	2613226-4	PLATE-RH UPR AFT .025 2024 T42			01
28	2613242-7	JAMB ASSY-LH AFT			01
29	2613242-2	JAMB ASSY-RH AFT			01
30	2613342-1	BUMPER-LH .032 4130 150K			01
- 31	2613342-2	BUMPER-RH .032 4130 150K			01
32	MS21047L3	NUTPLATE			04
- 33	NAS682A3	NUTPLATE			03
- 34	MS21069L3K	NUTPLATE			02
35	2613341-1	SHIM-1 LH & 1 RH 9.00X11.00 ALUM OXIDE 240 GRIT			02
36	2617027-1	COVER & CLUTCH ASSY-LH FSO 2617027-3	0001	0293	NP
- 36A	2617027-3	COVER & CLUTCH ASSY-LH	0294	& ON	01
- 37	2617027-2	COVER & CLUTCH ASSY-RH FSO 2617027-4	0001	0293	NP
- 37A	2617027-4	COVER & CLUTCH ASSY-RH	0294	& ON	01
38	AN525-10R9	SCREW-COVER & CLUTCH ASSY ATTACH			03
39	S1450-3H9-040	WASHER-COVER & CLUTCH ASSY ATTACH			02
40	2617026-1	COVER PLATE ASSY-LH FSO 2617026-5	0001	0293	NP
- 40A	2617026-5	COVER PLATE ASSY-LH	0294	& ON	01
- 41	2617026-3	COVER PLATE ASSY-RH FSO 2617026-6	0001	0293	NP
- 41A	2617026-6	COVER PLATE ASSY-RH	0294	& ON	01
42	2617025-1	ROTARY CLUTCH ASSY-LH			01
- 43	2617025-2	ROTARY CLUTCH ASSY-RH			01
- 44	MS21073L3	NUTPLATE			01
45	2613343-1	SUPPORT ASSY FSO 2613343-6	0001	0372	NP
- 45A	2613343-6	SUPPORT	0373	& ON	AR
- 46	2613343-2	SUPPORT .040 4130 90K			AR
- 47	2613343-3	SUPPORT ASSY FSO 2613343-7	0001	0372	NP
- 47A	2613343-7	SUPPORT	0373	& ON	AR
48	AN525-10R7	SCREW-SUPPORT ATTACH FWD			02
49	AN525-10R9	SCREW-SUPPORT ATTACH AFT			02
50	2610011-1	CLOSURE-LH UPR .032 2024 T3			01
51	2610011-2	CLOSURE-RH UPR .032 2024 T3			01
52	2610012-1	CLOSURE-LWR 1 LH & 1 RH .032 2024 T3			02
53	2613340-1	BUMPER LH & 1 RH .0332 4130 90K			02

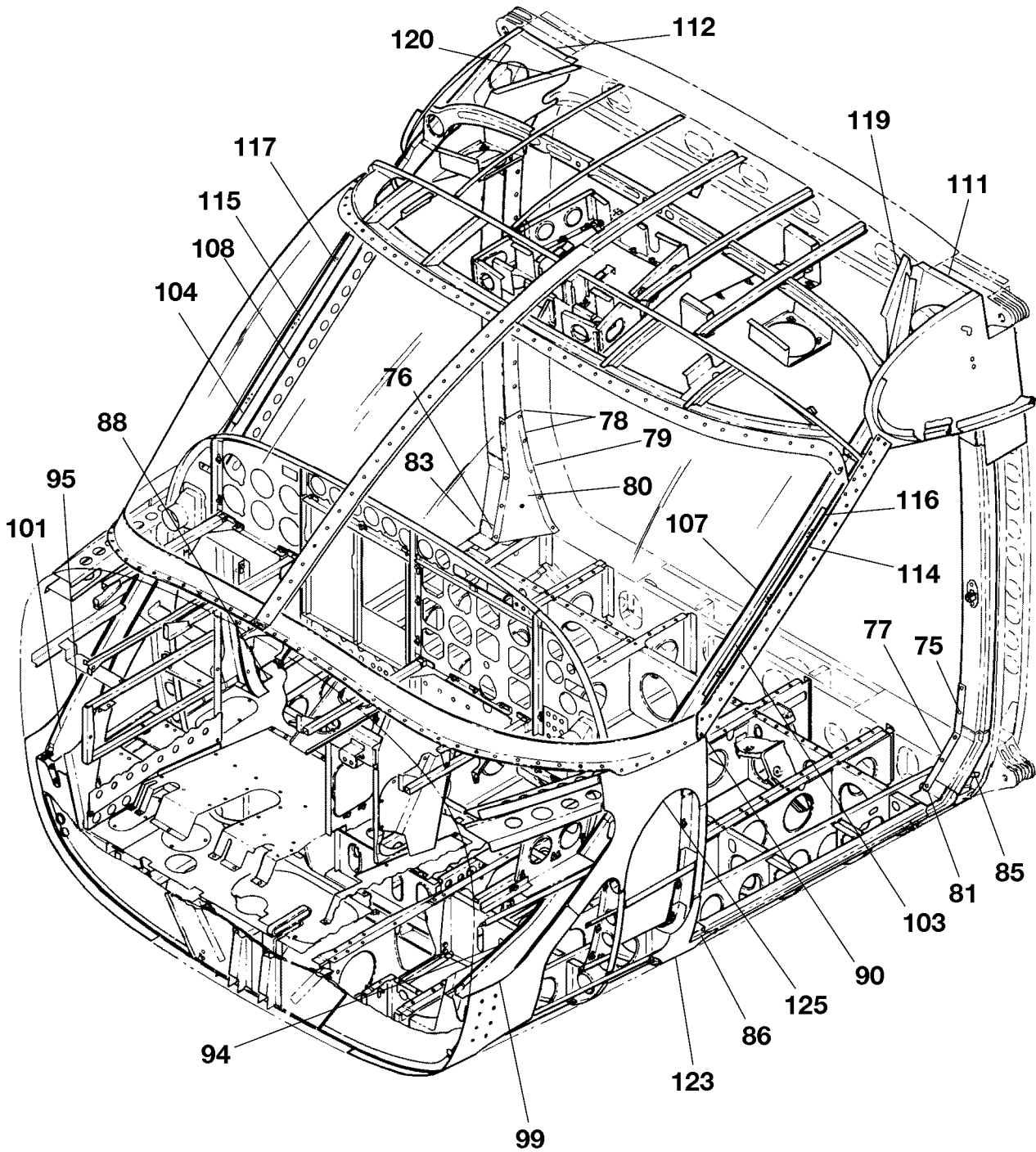
NOTE 1—AIRPLANES -0533 THRU -0549 INCORPORATING CAB-53-01

R

- ITEM NOT ILLUSTRATED

CESSNA®
MODEL 208
ILLUSTRATED PARTS CATALOG

A24756



FORWARD FUSELAGE STRUCTURE
FIGURE 01 (SHEET 2)

2613R3011

**CESSNA®
MODEL 208
ILLUSTRATED PARTS CATALOG**

FIG ITEM	PART NUMBER	NOMENCLATURE	UNITS PER ASSY	
1 2 3 4 5 6 7				
01				
75	2613224-5	. CLOSURE ASSY-LH LWR .032 2024 T42		01
76	2613224-6	. CLOSURE ASSY-RH LWR .032 2024 T42		01
77	AN525-10R6	. SCREW-FWD CLOSURE ASSY ATTACH		05
78	AN525-10R8	. SCREW-UPR CLOSURE ASSY ATTACH		02
79	AN525-10R10	. SCREW-LWR CLOSURE ASSY ATTACH		03
80	MS21047L08	. NUTPLATE		01
81	2613227-1	. CLOSURE-LH LWR AFT .025 2024 T42		01
- 82	2613227-3	. PLATE-LH LWR AFT .025 2024 T42		01
83	2613227-2	. CLOSURE-RH LWR AFT .025 2024 T42		01
- 84	2613227-4	. PLATE-RH LWR AFT .025 2024 T42		01
85	2611158-1	. BRACKET-OUTBD AILERON PULLEY LWR LH .040 2024 T42	0001	0028 01
- 85A	MS21069L3	. NUTPLATE		02
- 85B	MS21071L3	. NUTPLATE		02
- 85C	MS21047L3	. NUTPLATE		02
86	2613153-1	. CLOSURE-LWR LH FWD .025 2024 T42		01
- 87	2613153-3	. PLATE-LWR LH FWD .025 2024 T42		01
88	2613153-2	. CLOSURE-LWR RH FWD .025 2024 T42		01
- 89	2613153-4	. PLATE-LWR RH FWD .025 2024 T42		01
90	2613156-1	. CLOSURE-LH .025 2024 T42		01
- 91	2613156-3	. PLATE-LH .025 2024 T42		01
- 92	2613156-2	. CLOSURE-RH .025 2024 T42		01
- 93	2613156-4	. PLATE-RH .025 2024 T42		01
94	2613116-11	. DOORPOST ASSY LWR LH FSO 2613116-33	0001	0300 NP
- 94A	2613116-33	. DOORPOST ASSY-LH LWR	0301	& ON 01
95	2613116-12	. DOORPOST ASSY-RH LWR FSO 2613116-34	0001	0300 NP
- 95A	2613116-34	. DOORPOST ASSY-RH LWR	0301	& ON 01
- 96	2613116-13	. DOORPOST-LH .080 2024 T42		01
- 97	2613116-14	. DOORPOST-RH .080 2024 T42		01
- 98	S1741-1	. ANCHOR LH ONLY		03
99	2613116-15	. UPPER CHANNEL-INNER LH .080 2024 T42 FSO 2613116-31	0001	0300 NP
- 99A	2613116-31	. INNER CHANNEL-LH .080 20204 T42	0301	& ON 01
- 100	MS21047L3	. NUTPLATE-UPHOLSTERY ATTACH LH ONLY		02
101	2613116-16	. UPPER CHANNEL-INNER RH .080 2024 T42 FSO 2613116-32	0001	0300 NP
- 101A	2613116-32	. INNER CHANNEL-RH .080 20204 T42	0301	& ON 01
- 102	MS21047L3	. NUTPLATE-UPHOLSTERY ATTACH RH ONLY		01
103	2613116-27	. DOORPOST ASSY-LH UPPER FSO 2613116-35	0001	0300 NP
- 103A	2613116-35	. DOORPOST ASSY UPPER-LH	0301	& ON 01
104	2613116-28	. DOORPOST ASSY-RH UPPER FSO 2613116-36	0001	0300 NP
- 104A	2613116-36	. DOORPOST ASSY UPPER-RH	0301	& ON 01
- 105	2613116-25	. DOORPOST-LH .080 2024 T42		01
- 106	2613116-20	. DOORPOST-RH .080 2024 T42		01
107	2613116-5	. INNER CHANNEL-LH .080 2024 T42 B FSO 2613116-29	0001	0300 NP
- 107A	2613116-29	. INNER CHANNEL-LH .080 20204 T42	0301	& ON 01
108	2613116-6	. INNER CHANNEL RH .080 2024 T42 FSO 2613116-30	0001	0300 NP
- 108A	2613116-30	. INNER CHANNEL-RH .080 20204 T42	0301	& ON 01
- 109	2613116-7	. SPLICE CHANNEL-LWR LH .080 2024 T42		01
- 110	2613116-8	. SPLICE CHANNEL-LWR LH .080 2024 T42		01
111	2613116-23	. SPLICE CHANNEL-UPR LH .080 2024 T42 REFER TO NOTE 1		01 R
- 111A	2691038-5	. CHANNEL-UPR LH DOOR .080 2024 T42 REFER TO NOTE 1	0533	0549 01 R
112	2613116-18	. SPLICE CHANNEL-UPR RH .080 2024 T42 REFER TO NOTE 1		01 R
- 112A	2691038-6	. CHANNEL-UPR RH DOOR .080 2024 T42 REFER TO NOTE 1	0533	0549 01 R
- 112A	2691038-7	. SPLICE ANGLE-UPR LH REFER TO NOTE 1	0533	0549 01 R
- 112B	2691038-8	. SPLICE ANGLE-UPR RH REFER TO NOTE 1	0533	0549 01 R
- 112C	2691038-9	. FILLER-UPR LH AND RH REFER TO NOTE 1	0533	0549 01 R
- 113	MS21047L3	. NUTPLATE-UPHOLSTERY ATTACH		03
114	2613379-1	. RETAINER-UPHOLSTERY LH .025 2024 T42		01
115	2613379-2	. RETAINER-UPHOLSTERY RH .025 2024 T42		01
116	2613379-7	. RETAINER ASSY-LH UPHOLSTERY .025 2024 T3		01
117	2613379-8	. RETAINER ASSY-RH UPHOLSTERY .025 2024 T3		01
- 118	MS21047L08	. NUTPLATE		03
119	2613134-5	. DOUBLER ASSY-LH UPR INBD .050 2024 T42		01
120	2613134-6	. DOUBLER ASSY-RH UPR INBD .050 2024 T42		01
- 121	MS21047L08	. NUTPLATE		01
- 122	MS21051L08	. NUTPLATE		01
123	2613121-1	. DOUBLER-LH LWR OUTBD STA 128.00 .040 2024 T3		01
- 124	2613121-2	. DOUBLER-RH LWR OUTBD STA 128.00 .040 2024 T3		01
125	2613130-1	. OUTBD DOUBLER-LH UPR OUTBD .063 2024 T42		01
- 126	2613130-2	. OUTBD DOUBLER-RH UPR OUTBD .063 2024 T42		01
- 127	2613131-3	. DOUBLER ASSY-LH INBD .063 2024 T42		01
- 128	2613131-4	. DOUBLER ASSY-RH INBD .063 2024 T42		01
- 129	MS21047L08	. NUTPLATE		02
- 130	MS21047L3	. NUTPLATE UPHOLSTERY ATTACH		01

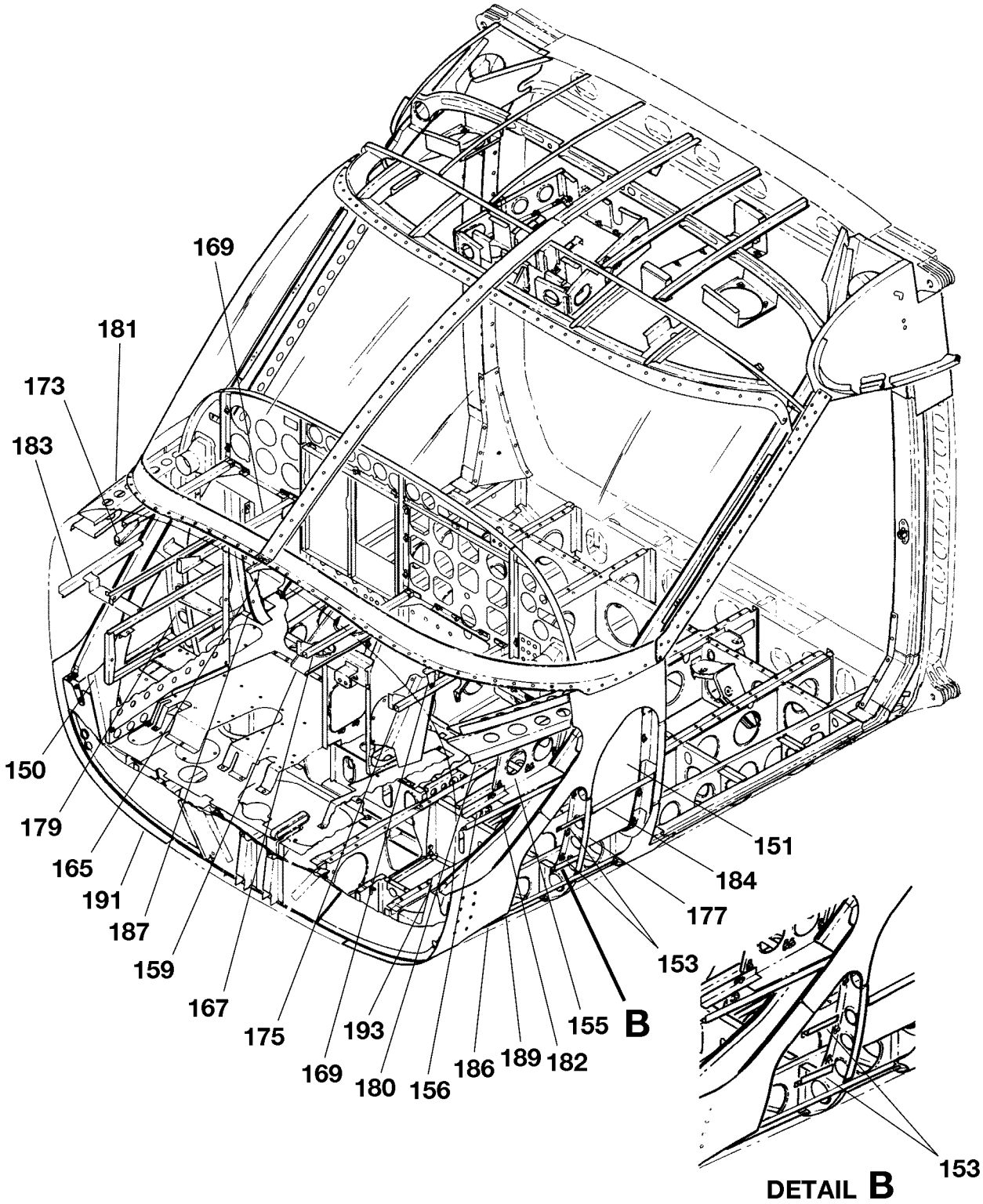
NOTE 1—AIRPLANES -0533 THRU -0549 INCORPORATING CAB-53-01

R

- ITEM NOT ILLUSTRATED

CESSNA®
MODEL 208
ILLUSTRATED PARTS CATALOG

A24757



FORWARD FUSELAGE STRUCTURE
FIGURE 01 (SHEET 3)

2613R3011

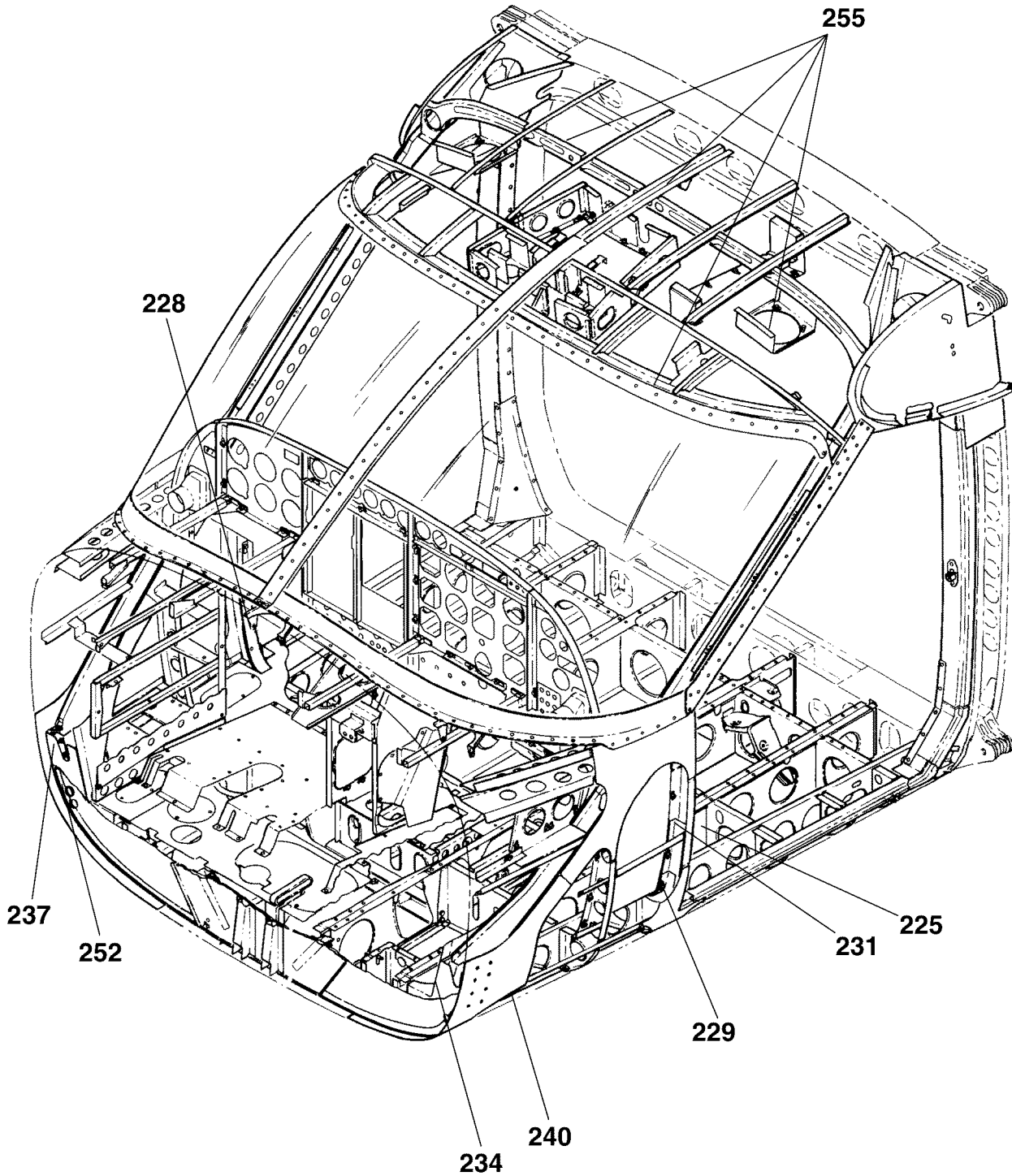
CESSNA®
MODEL 208
ILLUSTRATED PARTS CATALOG

FIG ITEM	PART NUMBER	NOMENCLATURE	UNITS PER ASSY		
			1	2	3
01					
150	2613114-2	. INBD DOUBLER-RH STA 100.00 .063 2024 T42			01
151	2613182-1	. CLOSEOUT BOX .010X38.00 FIBERGLASS PREPREG			01
		ATTACHING PARTS			
- 152	AN525-10R7	. SCREW			02
		—*—			
153	2601118-2	. BRACKET ASSY-ALTERNATOR CONTROL UNIT S135-4			02
- 154	MS21047L3	. NUTPLATE			02
155	2613203-1	. BRACKET ASSY-GENERATOR CONTROL UNIT			01
156	2613203-3	. SUPPORT ASSY .032 2024 T42			01
- 157	MS21047L08	. NUTPLATE			02
- 158	MS21047L3	. NUTPLATE			08
159	2613027-4	. SUPPORT ASSY-PEDESTAL FSO 2613491-1	0001	0499	NP
- 159A	2613491-1	. SUPPORT ASSY-PEDESTAL	0500	& ON	01
		ATTACHING PARTS			
- 160	AN525-832R6	. SCREW			02
- 161	AN3-3A	. BOLT			03
- 162	NAS1149F0332P	. WASHER			03
- 163	MS21042L3	. NUT			03
		—*—			
- 164	MS21047L08K	. NUTPLATE			03
165	2613049-3	. SUPPORT ASSY-CONTROL COLUMN COVER			02
- 166	NAS682A08K	. NUTPLATE			02
167	2613171-2	. SUPPORT-INSTRUMENT PANEL FSO 2613444-1	0001	0202	NP
- 168	2613444-1	. SUPPORT-INSTRUMENT PANEL CM3219-1	0203	& ON	02
169	2613171-4	. SUPPORT-INSTRUMENT PANEL FSO 2613444-2	0001	0202	NP
- 170	2613444-2	. SUPPORT-INSTRUMENT PANEL CM3219-1	0203	& ON	02
- 171	2613171-6	. BRACKET-RH INNER FSO 2613445-1	0001	0202	NP
- 172	2613445-1	. BRACKET-RH INNER .032 2024 T3	0203	& ON	01
173	2613171-7	. BRACKET-RH OUTER FSO 2613446-1	0001	0202	NP
- 174	2613446-1	. BRACKET-RH OUTER .032 2024 T3	0203	& ON	01
175	2613171-8	. BRACKET FSO 2613447-1	0001	0202	NP
- 176	2613447-1	. BRACKET-LH .032 2024 T3	0203	& ON	02
177	2613132-3	. BULKHEAD ASSY-LH STA 118.00 FSO 2613132-7	0001	0520	NP
- 177A	2613132-7	. BULKHEAD ASSY-LH	0521	& ON	01
- 178	MS21047L3	. NUTPLATE	0001	0520	03
- 178A	MS21059L3	. NUTPLATE	0521	& ON	03
179	2613132-2	. BULKHEAD-RH STA 118.00 FSO 2613132-6	0001	0520	NP
- 179A	2613132-6	. BULKHEAD-RH	0521	& ON	01
180	2613235-3	. STRINGER-LH ENGINE MOUNT .063 2024 T42			01
181	2613235-2	. STRINGER-RH ENGINE MOUNT .063 2024 T42			01
182	2613271-5	. STRINGER-LH S49-1			01
183	2613271-6	. STRINGER-RH S49-1			01
184	2613133-1	. STRINGER-LH S49-1			01
- 185	2613133-2	. STRINGER-RH S49-1			01
186	2613115-5	. SUPPORT ASSY-FLOORBOARD LH .063 2024 T42 FSO 2613115-13	0001	0262	NP
- 186A	2613115-9	. SUPPORT ASSY-LH FLOORBOARD .063 2024 T42 FSO 2613115-13	0263	0298	NP
- 186B	2613115-13	. SUPPORT ASSY-LH FLOORBOARD .063 2024 T42	0299	& ON	01
187	2613115-6	. SUPPORT ASSY-RH FLOORBOARD .063 2024 T42 FSO 2613115-14	0001	0262	NP
- 187A	2613115-10	. SUPPORT ASSY-RH FLOORBOARD .063 2024 T42 FSO 2613115-14	0263	0298	NP
- 187B	2613115-14	. SUPPORT ASSY-RH FLOORBOARD .063 2024 T42	0299	& ON	01
- 188	MS21047L3	. NUTPLATE			02
189	2613000-34	. DOUBLER-LH OUTBD STA 100.00 .063 2024 T3	0144	0219	01
- 190	2613000-37	. DOUBLER-LH OUTBD STA 100.00 .063 2024 T3	0220	0416	01
- 190A	2613000-43	. DOUBLER-LH OUTBD STA 100.00 .063 2024 T3	0417	& ON	01
191	2613000-14	. DOUBLER-RH OUTBD STA 100.00 .063 2024 T3	0144	0219	01
- 192	2613000-38	. DOUBLER-RH OUTBD STA 100.00 .063 2024 T3	0220	0416	01
- 192A	2613000-38	. DOUBLER-RH OUTBD STA 100.00 .063 2024 T3	0220	& ON	01
193	2613114-3	. INBD DOUBLER ASSY-LH STA 100.00			01
- 194	2613389-1	. SPACER ASSY-LWR FWD DOORPOST .032 2024 T42			01

- ITEM NOT ILLUSTRATED

CESSNA®
MODEL 208
ILLUSTRATED PARTS CATALOG

A24758



26133011

FORWARD FUSELAGE STRUCTURE
FIGURE 01 (SHEET 4)

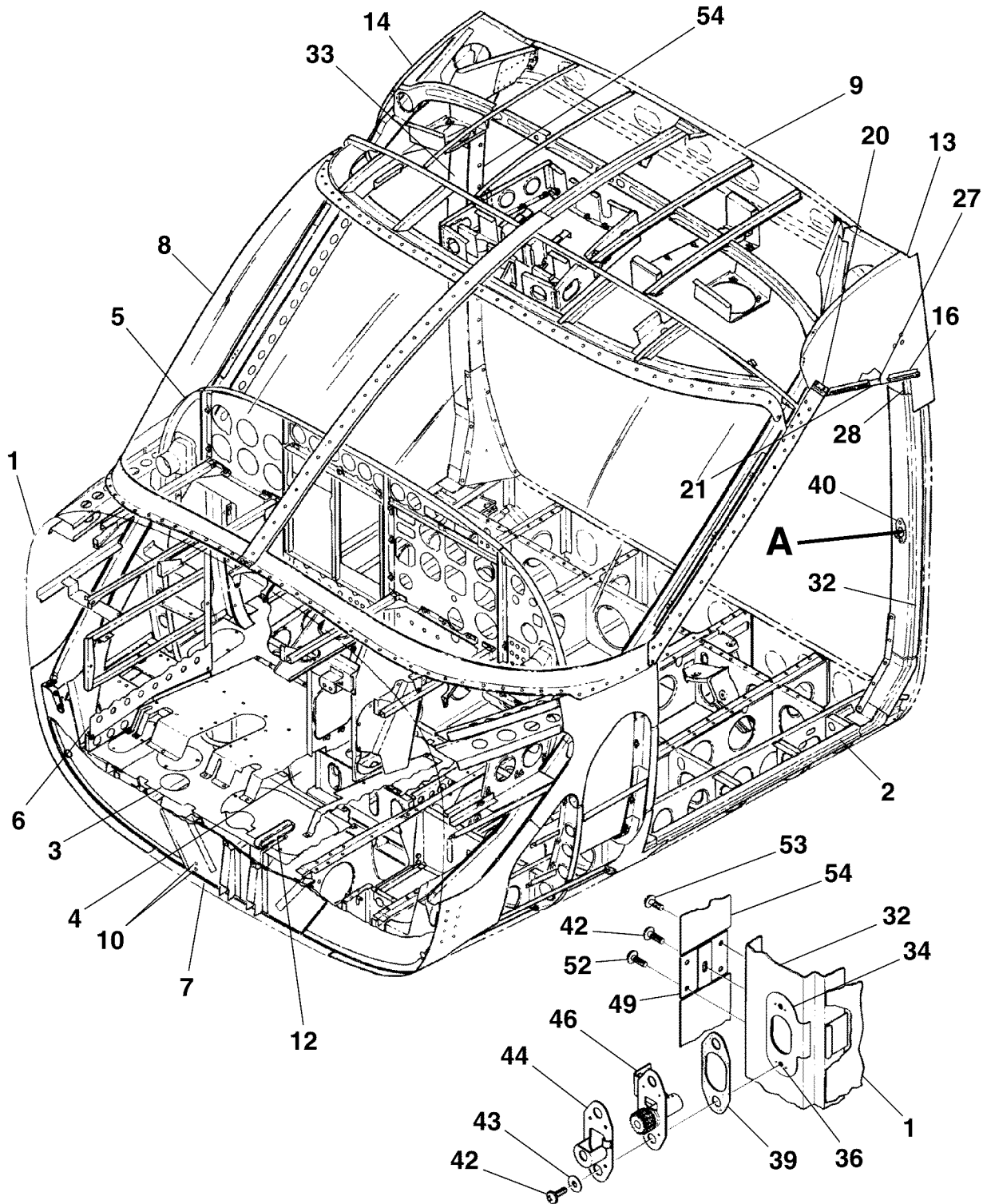
CESSNA®
MODEL 208
 ILLUSTRATED PARTS CATALOG

FIG ITEM	PART NUMBER	NOMENCLATURE	UNITS PER ASSY		
			1	2	3
01					
225	2613129-9	. BULKHEAD ASSY-LH STA 128.00			01
- 226	2613129-10	. BULKHEAD ASSY-RH STA 128.00			01
- 227	2613129-13	. . DOOR JAMB-LH .040 2024 T42			01
228	2613129-14	. . DOOR JAMB-RH .040 2024 T42			01
229	2613129-15	. . SPLICE ANGLE-LH .050 6061 T6			01
- 230	2613129-16	. . SPLICE ANGLE-RH .050 6061 T6			01
231	2613129-11	. . BULKHEAD-LH .032 2024 T42			01
- 232	2613129-12	. . BULKHEAD-RH .032 2024 T42			01
- 233	MS21047L3	. . NUTPLATE			05
234	2613087-1	. FITTING-LH FSO 2613087-7	0001	0139	NP
- 235	2613087-5	. FITTING-LH FSO 2613087-7	0140	0219	NP
- 236	2613087-7	. FITTING-LH	0220	& ON	01
237	2613087-2	. FITTING-RH FSO 2613087-8	0001	0139	NP
- 238	2613087-6	. FITTING-RH FSO 2613087-8	0140	0219	NP
- 239	2613087-8	. FITTING-RH	0220	& ON	01
		. ATTACHING PARTS			
240	AN525-10R12	. SCREW-OUTBD			08
- 241	AN3-10A	. BOLT-INBD	0001	0139	04
- 242	AN3-10A	. BOLT-INBD UPPER	0140	& ON	02
- 243	AN3-11A	. BOLT-INBD CENTER	0140	& ON	01
- 244	AN3-12A	. BOLT-INBD LOWER	0140	& ON	01
- 245	NAS1149F0363P	. WASHER			12
- 246	MS21044N3	. NUT			12
- 247	NAS1425H03	. PIN-SWAGE LH FIREWALL ATTACH			18
- 248	NAS1425H03	. PIN-SWAGE RH FIREWALL ATTACH			12
- 249	NAS1425H04	. PIN-SWAGE RH FIREWALL ATTACH			05
- 250	NAS1080MG05	. COLLAR-LH			18
- 251	NAS1080MG05	. COLLAR-RH			17
		. *			
252	AN3-7A	. BOLT			02
- 253	AN970-3	. WASHER			02
- 254	2613000-26	. NUT ASSY			02
255		. FORWARD CABIN TOP COMPONENTS REFER TO 53-10-02 FIGURE 01			RF

- ITEM NOT ILLUSTRATED

CESSNA®
MODEL 208
 ILLUSTRATED PARTS CATALOG

A24759



DETAIL A

26133001
 A26132001

FORWARD FUSELAGE STRUCTURE
 FIGURE 02 (SHEET 1)

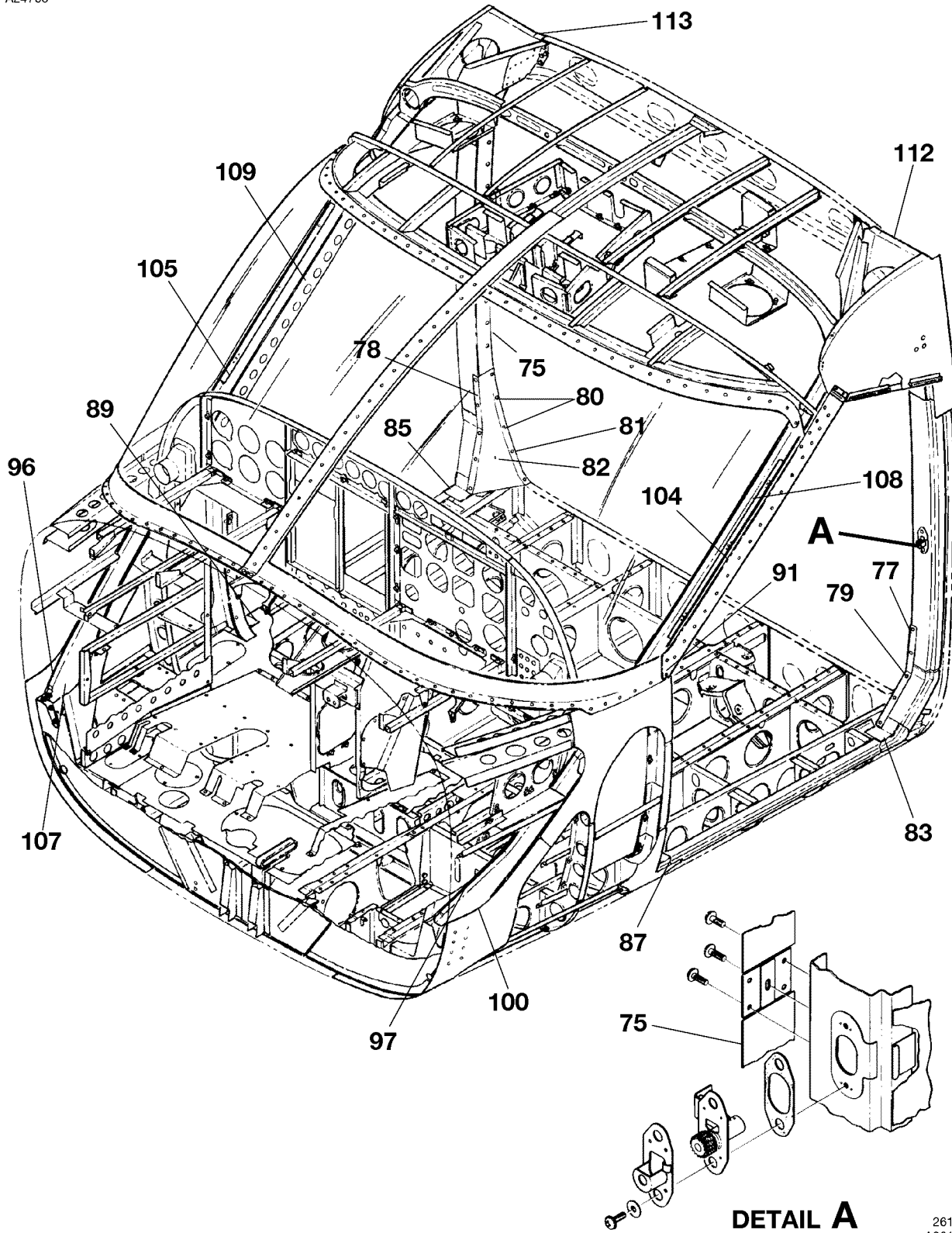
CESSNA®
MODEL 208
ILLUSTRATED PARTS CATALOG

FIG ITEM	PART NUMBER	NOMENCLATURE	UNITS PER ASSY	
			1 2 3 4 5 6 7	
02		FORWARD FUSELAGE STRUCTURE	B0001	& ON RF
-		FORWARD FUSELAGE SKINS AND COMPONENTS REFER TO 53-30-00		RF
1		FIGURE 02		RF
2		LOWER FORWARD FUSELAGE STRUCTURE REFER TO 53-11-00 FIGURE 01		RF
3		CABIN FLOORBOARDS INSTALLATION REFER TO 53-20-00 FIGURE 02		RF
4		PEDESTAL STRUCTURE REFER TO 53-22-00 FIGURE 01		RF
5		STATIONARY INSTRUMENT PANEL STRUCTURE REFER TO 53-22-01 FIGURE 03		RF
6		AVIONICS RACK REFER TO 25-70-00 FIGURE 01		RF
7		FIREWALL INSTALLATION REFER TO 53-10-00 FIGURE 01		RF
8		WINDSHIELD INSTALLATION REFER TO 56-10-00 FIGURE 01		RF
9		CENTER FUSELAGE STRUCTURE REFER TO 53-12-00 FIGURE 02		RF
10	NAS221-11	SCREW		02
- 11	NAS1149F0363P	WASHER		02
12	2643075-1	GUIDE ASSY-NOSE GEAR STEERING	B0001	B0311 01
- 12A	2643075-6	GUIDE ASSY-NOSE GEAR STEERING	B0312	B4999 01 R
- 12B	2643075-7	GUIDE ASSY-NOSE GEAR STEERING	B5000	& ON 01 R
13	2613135-9	ROOT RIB ASSY-LH .050 2024 T42		01
14	2613135-10	ROOT RIB ASSY-RH .050 2024 T42		01
- 15	MS21069L3	NUTPLATE		02
16	2620023-19	RETAINER-LH S1145-1	B0001	B0054 01
- 17	2620023-37	RETAINER-LH S1145-1	B0055	& ON 01
- 18	2620023-20	RETAINER-RH S1145-1	B0001	B0054 01
- 19	2620023-38	RETAINER-RH S1145-1	B0055	& ON 01
20	2620023-25	RETAINER S1145-1 FSO 2620023-51	B0001	B0679 NP
- 20A	2620023-51	RETAINER S1145-1	B0680	& ON 02
21	2613140-1	JAMB-LH UPPER CREW DOOR .040 2024 T42		01
- 22	2613140-2	JAMB-RH UPPER CREW DOOR .040 2024 T42		01
- 23	2613155-1	CLOSURE-LH UPR FWD .025 2024 T42		01
- 24	2613155-3	PLATE-LH UPR FWD .025 2024 T42		01
- 25	2613155-2	CLOSURE-RH UPR FWD .025 2024 T42		01
- 26	2613155-4	PLATE-RH UPR FWD .025 2024 T42		01
27	2613394-1	SHIM .025 2024 T3		AR
28	2613226-1	CLOSURE-LH UPR AFT .025 2024 T42		01
- 29	2613226-3	PLATE-LH UPR AFT .025 2024 T42		01
- 30	2613226-2	CLOSURE-RH UPR AFT .025 2024 T42		01
- 31	2613226-4	PLATE-RH UPR AFT .025 2024 T42		01
32	2613242-7	JAMB ASSY-LH AFT		01
33	2613242-2	JAMB ASSY-RH AFT		01
34	2613342-1	BUMPER-LH .032 4130 150K		01
- 35	2613342-2	BUMPER-RH .032 4130 150K		01
36	MS21047L3	NUTPLATE		04
- 37	NAS682A3	NUTPLATE		03
- 38	MS21069L3	NUTPLATE		02
39	2613341-1	SHIM 1 LH & 1 RH 9.00X11.00 ALUMOXIDE 240 GRIT		02
40	2617027-1	COVER & CLUTCH ASSY-LH FSO 2617027-3	B0001	B0709 NP
- 40A	2617027-3	COVER & CLUTCH ASSY LH	B0710	& ON 01
- 41	2617027-2	COVER & CLUTCH ASSY-RH FSO 2617027-4	B0001	B0709 NP
- 41A	2617027-4	COVER & CLUTCH ASSY RH	B0710	& ON 01
42	AN525-10R9	SCREW-COVER & CLUTCH ASSY RH ATTACH		03
43	S1450-3H9-040	WASHER-COVER & CLUTCH ASSY RH ATTACH		02
44	2617026-1	COVER ASSY-LH FSO 2617026-5	B0001	B0709 NP
- 44A	2617026-5	COVER ASSY-LH	B0710	& ON 01
- 45	2617026-3	COVER ASSY-RH FSO 2617026-6	B0001	B0709 NP
- 45A	2617026-6	COVER ASSY-RH	B0710	& ON 01
46	2617025-1	CLUTCH ASSY-ROTARY LH		01
- 47	2617025-2	CLUTCH ASSY-ROTARY RH		01
- 48	MS21073L3	NUTPLATE		01
49	2613343-1	SUPPORT ASSY FSO 2613343-6	B0001	B1046 NP
- 49A	2613343-6	SUPPORT	B1047	& ON AR
- 50	2613343-2	SUPPORT .040 4130 90K		AR
- 51	2613343-3	SUPPORT ASSY FSO 2613343-7	B0001	B1046 NP
- 51A	2613343-7	SUPPORT	B1047	& ON AR
52	AN525-10R7	SCREW-FWD SUPPORT ASSY ATTACH		02
53	AN525-10R9	SCREW-AFT SUPPORT ASSY ATTACH		02
54	2610011-3	CLOSURE-LH & RH UPPER .032 2024 T3		02

- ITEM NOT ILLUSTRATED

CESSNA®
MODEL 208
ILLUSTRATED PARTS CATALOG

A24760



FORWARD FUSELAGE STRUCTURE
FIGURE 02 (SHEET 2)

2613R3001
A2613R2001

DETAIL A

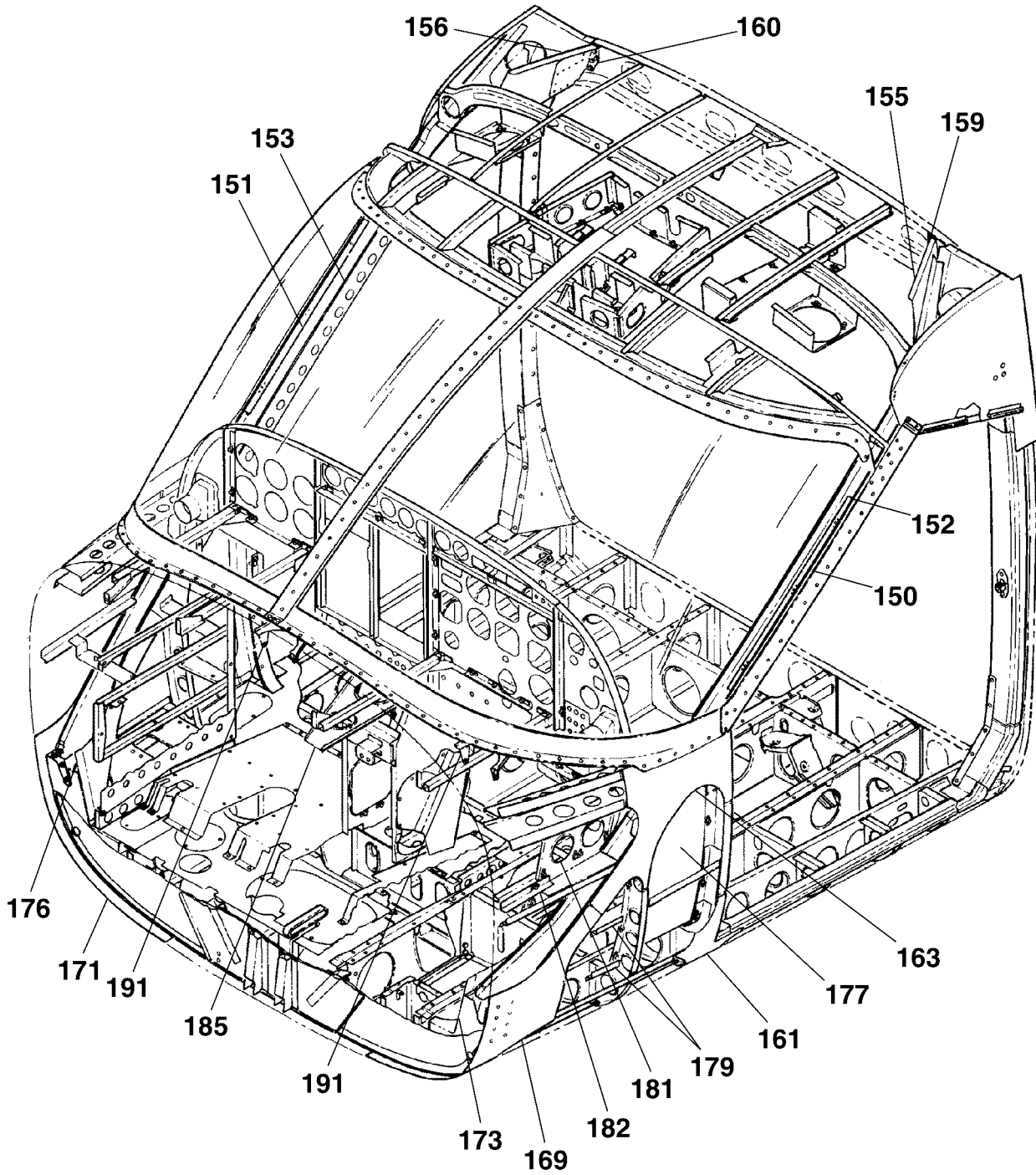
CESSNA®
MODEL 208
ILLUSTRATED PARTS CATALOG

FIG ITEM	PART NUMBER	NOMENCLATURE	1 2 3 4 5 6 7							UNITS PER ASSY
02										
75	2610012-2	. CLOSURE-LWR 1 LH & 1 RH .032 2024 T3								02
- 76		. DELETED NOT USED								RF
77	2613224-5	. CLOSURE ASSY-LH LWR .032 2024 T42								01
78	2613224-6	. CLOSURE ASSY-RH LWR .032 2024 T42								01
		ATTACHING PARTS								
79	AN525-10R6	. SCREW-FWD								05
80	AN525-10R8	. SCREW-UPR								02
81	AN525-10R10	. SCREW-LWR								03
		—*								
82	MS21047L08	. NUTPLATE								01
83	2613227-1	. CLOSURE-LWR LH AFT .025 2024 T42								01
- 84	2613227-3	. PLATE-LWR LH AFT .025 2024 T42								01
85	2613227-2	. CLOSURE-LWR RH AFT .025 2024 T42								01
- 86	2613227-4	. PLATE-LWR RH AFT .025 2024 T42								01
87	2613153-1	. CLOSURE-LWR LH FWD .025 2024 T42								01
- 88	2613153-3	. PLATE-LWR LH FWD .025 2024 T42								01
89	2613153-2	. CLOSURE-LWR RH FWD .025 2024 T42								01
- 90	2613153-4	. PLATE-LWR RH FWD .025 2024 T42								01
91	2613156-1	. CLOSURE-LH .025 2024 T42								01
- 92	2613156-3	. PLATE-LH .025 2024 T42								01
- 93	2613156-2	. CLOSURE-RH .025 2024 T42								01
- 94	2613156-4	. PLATE-RH .025 2024 T42								01
- 95	2613116-11	. DOORPOST ASSY-LWR LH FSO 2613116-33						B0001	B0730	NP
- 95A	2613116-33	. DOORPOST ASSY-LWR LH						B0731	& ON	01
96	2613116-12	. DOORPOST ASSY-LWR RH FSO 2613116-34						B0001	B0730	NP
- 96A	2613116-34	. DOORPOST ASSY-LWR RH						B0731	& ON	01
97	2613116-13	. DOORPOST-LH .080 2024 T42								01
- 98	2613116-14	. DOORPOST-RH .080 2024 T42								01
- 99	S1741-1	. ANCHOR LH ONLY								03
100	2613116-15	. CHANNEL-INNER LH .080 2024 T42 FSO 2613116-31						B0001	B0730	NP
- 100A	2613116-31	. CHANNEL-INNER LH .080 2024 T42						B0731	& ON	01
- 101	MS21047L3	. NUTPLATE-UPHOLSTERY ATTACH LH ONLY								02
- 102	2613116-16	. CHANNEL-INNER-RH .080 2024 T42 FSO 2613116-32						B0001	B0730	NP
- 102A	2613116-32	. CHANNEL-INNER RH .080 2024 T42						B0731	& ON	01
- 103	MS21047L3	. NUTPLATE-UPHOLSTERY ATTACH RH ONLY								01
104	2613116-27	. DOORPOST ASSY-UPR LH FSO 2613116-35						B0001	B0730	NP
- 104A	2613116-35	. DOORPOST ASSY-UPR LH						B0731	& ON	01
105	2613116-28	. DOORPOST ASSY-UPR RH FSO 2613116-36						B0001	B0730	NP
- 105A	2613116-36	. DOORPOST ASSY-UPR RH						B0731	& ON	01
- 106	2613116-25	. DOORPOST-LH .080 2024 T42								01
107	2613116-20	. DOORPOST-RH .080 2024 T42								01
108	2613116-5	. CHANNEL-INNER LH .080 2024 T42 FSO 2613116-29						B0001	B0730	NP
- 108A	2613116-29	. CHANNEL-INNER LH .080 2024 T42						B0731	& ON	01
109	2613116-6	. CHANNEL-INNER RH .080 2024 T42 FSO 2613116-30						B0001	B0730	NP
- 109A	2613116-30	. CHANNEL-INNER RH .080 2024 T42						B0731	& ON	01
- 110	2613116-7	. CHANNEL-LWR LH SPLICE .080 2024 T42								01
- 111	2613116-8	. CHANNEL-LWR LH SPLICE .080 2024 T42								01
112	2613116-23	. CHANNEL-UPR LH SPLICE .080 2024 T42								01
113	2613116-18	. CHANNEL-UPR RH SPLICE .080 2024 T42								01
- 114	MS21047L3	. NUTPLATE-UPHOLSTERY ATTACH								03

- ITEM NOT ILLUSTRATED

CESSNA®
MODEL 208
ILLUSTRATED PARTS CATALOG

A24761



26133001

FORWARD FUSELAGE STRUCTURE
FIGURE 02 (SHEET 3)

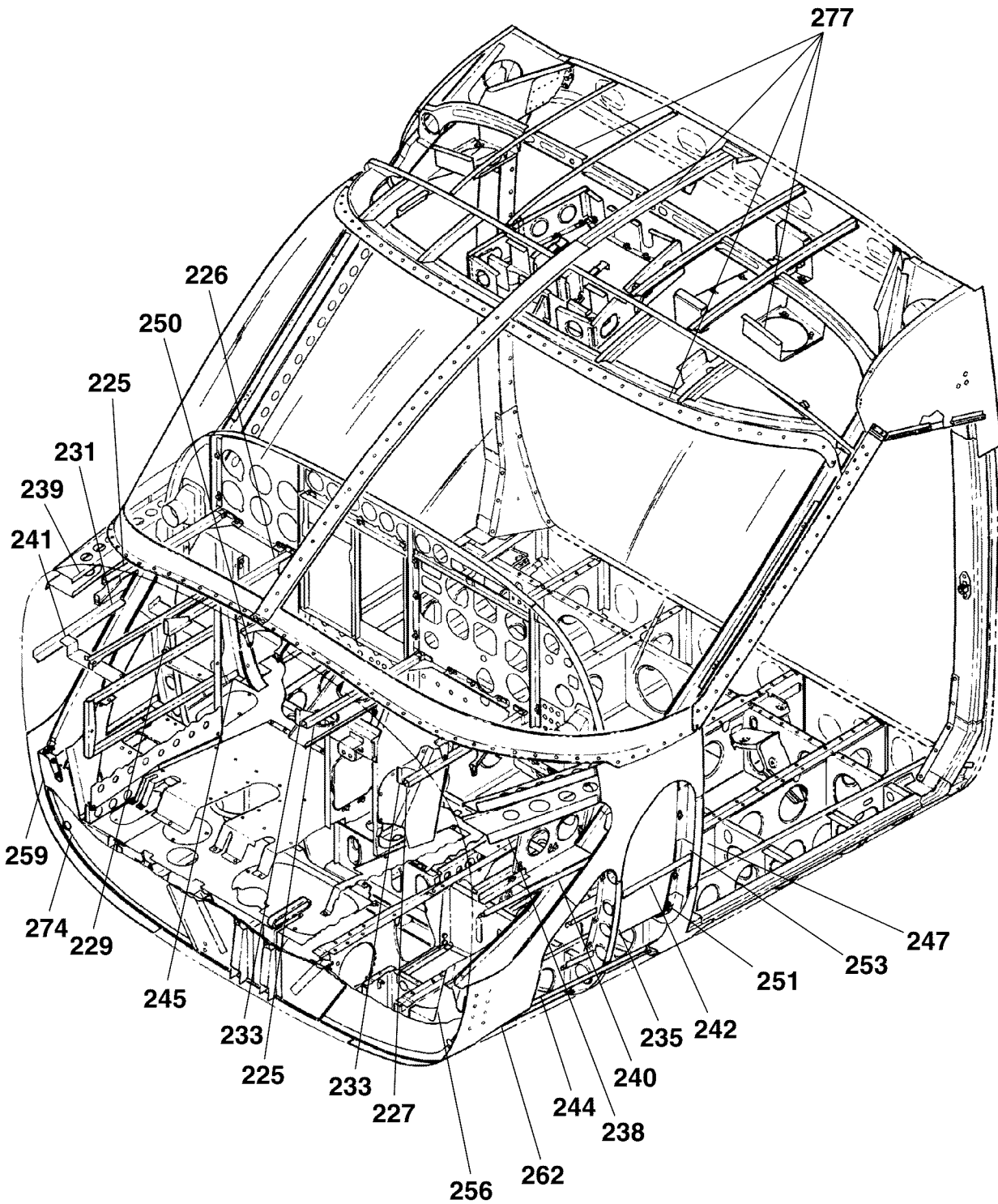
CESSNA®
MODEL 208
ILLUSTRATED PARTS CATALOG

FIG ITEM	PART NUMBER	NOMENCLATURE	1 2 3 4 5 6 7							UNITS PER ASSY
02										
150	2613379-1	. RETAINER-UPHOLSTERY LH .025 2024 T42								01
151	2613379-2	. RETAINER-UPHOLSTERY RH .025 2024 T42								01
152	2613379-7	. RETAINER ASSY-UPHOLSTERY LH .025 2024 T3								01
153	2613379-8	. RETAINER ASSY-UPHOLSTERY RH .025 2024 T3								01
- 154	MS21047L08	. . NUTPLATE								03
155	2613134-5	. DOUBLER ASSY-UPR LH INBD .050 2024 T42								01
156	2613134-6	. DOUBLER ASSY-UPR RH INBD .050 2024 T42								01
- 157	MS21047L08	. . NUTPLATE								01
- 158	MS21051L08	. . NUTPLATE								01
159	2613001-1	. ANGLE-UPR DOORPOST ATTACH LH .080 2024 T3								01
160	2613001-2	. ANGLE-UPR DOORPOST ATTACH RH .080 2024 T3								01
161	2613121-1	. DOUBLER-LWR LH OUTBD STA 128.00 .040 2024 T3								01
- 162	2613121-2	. DOUBLER-LWR RH OUTBD STA 128.00 .040 2024 T3								01
163	2613130-1	. DOUBLER-UPR LH OUTBD .063 2024 T42								01
- 164	2613130-2	. DOUBLER-UPR RH OUTBD .063 2024 T42								01
- 165	2613131-3	. DOUBLER ASSY-LH INBD .063 2024 T42								01
- 166	2613131-4	. DOUBLER ASSY-RH INBD .063 2024 T42								01
- 167	MS21047L08	. . NUTPLATE								02
- 168	MS21047L3	. . NUTPLATE-UPHOLSTERY ATTACH								01
169	2613000-34	. DOUBLER-LH OUTBD STA 100.00 .063 2024 T3						B0143	B0311	01
- 170	2613000-37	. DOUBLER-LH OUTBD STA 100.00 .063 2024 T3						B0312	B1301	01
- 170A	2613000-43	. DOUBLER-LH OUTBD STA 100.00 .063 2024 T3						B1302	& ON	01
171	2613000-14	. DOUBLER-RH OUTBD STA 100.00 .063 2024 T3						B0001	B0311	01
- 172	2613000-38	. DOUBLER-RH OUTBD STA 100.00 .063 2024 T3						B0312	& ON	01
173	2613114-3	. DOUBLER ASSY-LH INBD STA 100.00								01
- 174	2613389-1	. . SPACER ASSY-LWR FWD DOORPOST .032 2024 T42								01
- 175	MS21047L3	. . NUTPLATE								01
176	2613114-2	. DOUBLER-RH INBD STA 100.00 .063 2024 T42								01
177	2613182-1	. CLOSE OUT .010X38.00 FIBERGLASS PREPREG								01
		ATTACHING PARTS								
- 178	AN525-10R7	. SCREW								02
		—*—								
179	2601118-2	. BRACKET ASSY-ALTERNATOR CONTROL UNIT S135-4								02
- 180	MS21047L3	. . NUTPLATE								02
181	2613203-1	. BRACKET ASSY-GENERATOR CONTROL UNIT								01
182	2613203-3	. . SUPPORT ASSY-.032 2024 T42								01
- 183	MS21047L08	. . NUTPLATE								02
- 184	MS21047L3	. . NUTPLATE								08
185	2613027-4	. SUPPORT ASSY-PEDESTAL FSO 2613491-1						B0001	B1999	NP
- 185A	2613491-1	. SUPPORT ASSY-PEDESTAL						B2000	& ON	01
		ATTACHING PARTS								
- 186	AN525-832R6	. SCREW								02
- 187	AN3-3A	. BOLT								03
- 188	NAS1149F0332P	. WASHER								03
- 189	MS21042L3	. NUT								03
		—*—								
- 190	MS21047L08K	. . NUTPLATE								03
191	2613049-3	. SUPPORT ASSY-CONTROL COLUMN COVER								02
- 192	NAS682A08K	. . NUTPLATE								02

- ITEM NOT ILLUSTRATED

CESSNA®
MODEL 208
ILLUSTRATED PARTS CATALOG

A24762



FORWARD FUSELAGE STRUCTURE
FIGURE 02 (SHEET 4)

26133001

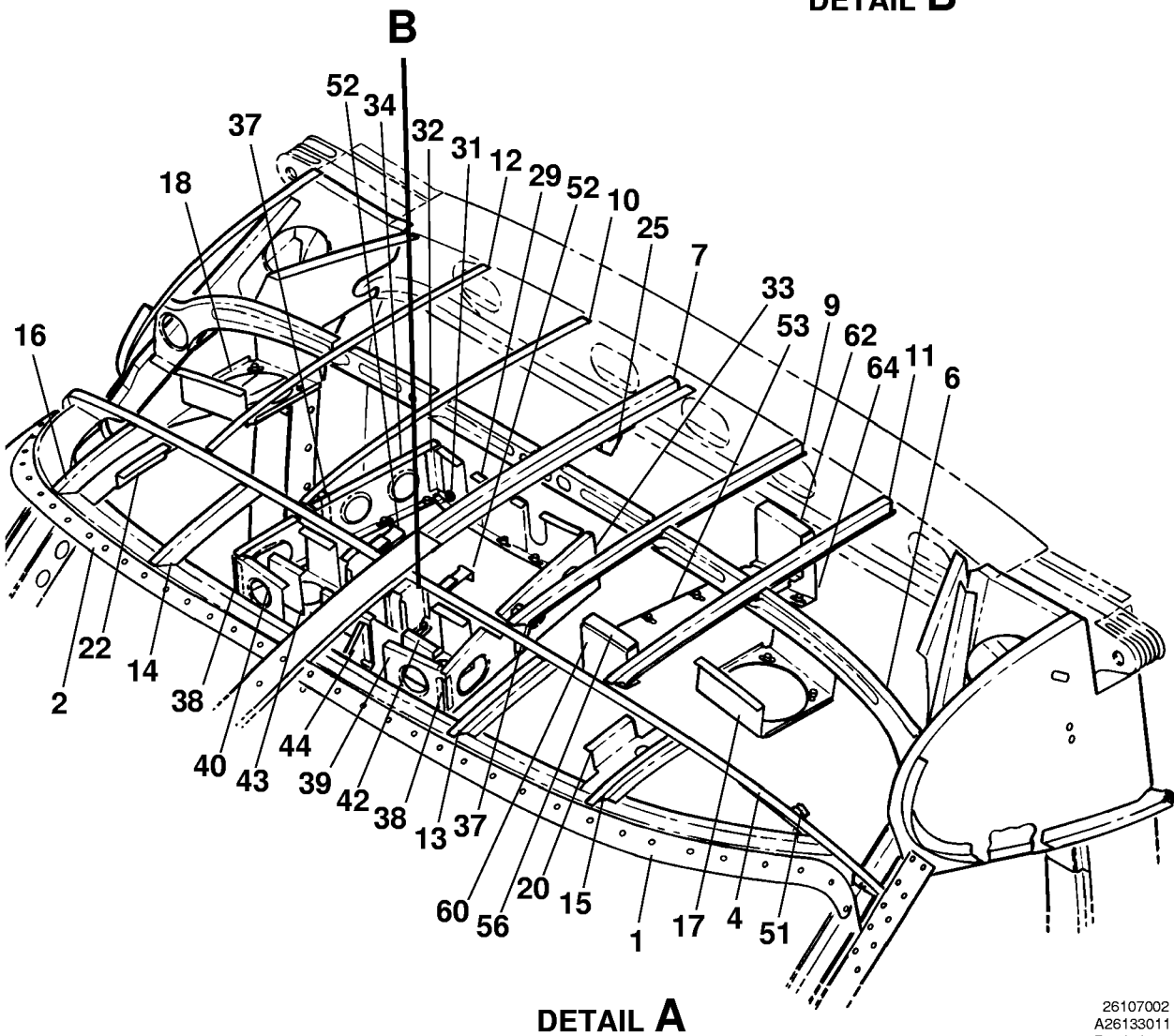
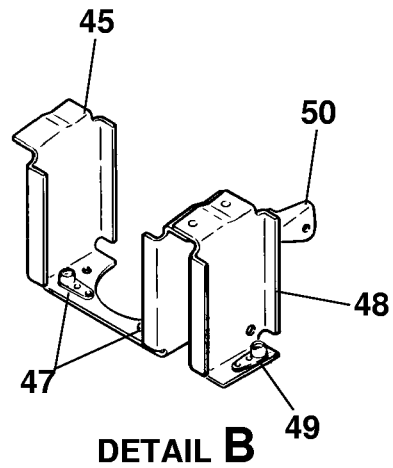
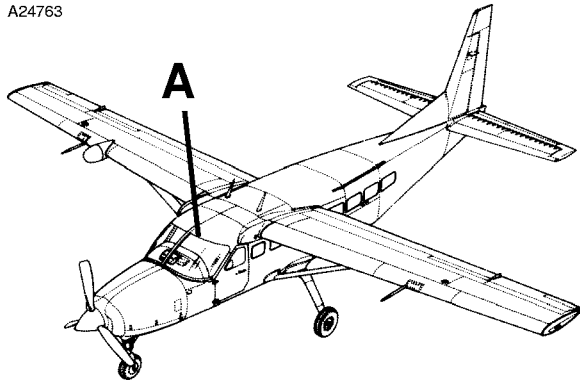
CESSNA®
MODEL 208
ILLUSTRATED PARTS CATALOG

FIG ITEM	PART NUMBER	NOMENCLATURE	UNITS		
			PER	ASSY	
02					
225	2613171-2	. SUPPORT-INSTRUMENT PANEL FSO 2613444-1	B0001	B0258	NP
226	2613444-1	. SUPPORT-INSTRUMENT PANEL CM3219-1	B0259	& ON	02
227	2613171-4	. SUPPORT-INSTRUMENT PANEL FSO 2613444-2	B0001	B0258	NP
- 228	2613444-2	. SUPPORT-INSTRUMENT PANEL CM3219-1	B0259	& ON	02
- 229	2613171-6	. BRACKET-RH INNER FSO 2613445-1	B0001	B0258	NP
- 230	2613445-1	. BRACKET-RH INNER .032 2024 T3	B0259	& ON	01
231	2613171-7	. BRACKET-RH OUTER FSO 2613446-1	B0001	B0258	NP
- 232	2613446-1	. BRACKET-RH OUTER .032 2024 T3	B0259	& ON	01
233	2613171-8	. BRACKET FSO 2613447-1	B0001	B0258	NP
- 234	2613447-1	. BRACKET .032 2024 T3	B0259	& ON	02
235	2613132-3	. BULKHEAD ASSY-LH STA 118.00 FSO 2613132-7	B0001	B2176	NP
- 235A	2613132-7	. BULKHEAD ASSY-LH	B2177	& ON	01
- 236	MS21047L3	. . . NUTPLATE	B0001	B2176	03
- 236A	MS21059L3	. . . NUTPLATE	B2177	& ON	03
- 237	2613132-2	. BULKHEAD-RH STA 118.00 FSO 2613132-6	B0001	B2176	NP
- 237A	2613132-6	. BULKHEAD-RH	B2177	& ON	01
238	2613235-3	. STRINGER-ENGINE MOUNT LH .063 2024 T42			01
239	2613235-2	. STRINGER-ENGINE MOUNT RH .063 2024 T42			01
240	2613271-5	. STRINGER-LH S49-1			01
241	2613271-6	. STRINGER-RH S49-1			01
242	2613133-1	. STRINGER-LH S49-1			01
- 243	2613133-2	. STRINGER-RH S49-1			01
244	2613115-5	. SUPPORT ASSY-FLOORBOARD LH .063 2024 T42 FSO 2613115-13	B0001	B0617	NP
- 244A	2613115-9	. SUPPORT ASSY-FLOORBOARD LH .063 2024 T42 FSO 2613115-13	B0618	B0740	NP
- 244B	2613115-13	. SUPPORT ASSY-FLOORBOARD LH .063 2024 T42	B0741	& ON	01
245	2613115-6	. SUPPORT ASSY-FLOORBOARD RH .063 2024 T42 FSO 2613115-14	B0001	B0617	NP
- 245A	2613115-10	. SUPPORT ASSY-FLOORBOARD RH .063 2024 T42 FSO 2613115-14	B0618	B0740	NP
- 245B	2613115-14	. SUPPORT ASSY-FLOORBOARD RH .063 2024 T42	B0741	& ON	01
- 246	MS21047L3	. . . NUTPLATE			02
247	2613129-9	. BULKHEAD ASSY-LH STA 128.00			01
- 248	2613129-10	. BULKHEAD ASSY-RH STA 128.00			01
- 249	2613129-13	. . . DOOR JAMB-LH .040 2024 T42			01
250	2613129-14	. . . DOOR JAMB-RH .040 2024 T42			01
251	2613129-15	. . . SPLICE ANGLE-LH .050 6061 T6			01
- 252	2613129-16	. . . SPLICE ANGLE-RH .050 6061 T6			01
253	2613129-11	. . . BULKHEAD-LH .032 2024 T42			01
- 254	2613129-12	. . . BULKHEAD-RH .032 2024 T42			01
- 255	MS21047L3	. . . NUTPLATE			05
256	2613087-1	. FITTING-LH FSO 2613087-7	B0001	B0054	NP
- 257	2613087-5	. FITTING-LH FSO 2613087-7	B0055	B0303	NP
- 258	2613087-7	. FITTING-LH	B0304	& ON	01
259	2613087-2	. FITTING-RH FSO 2618087-8	B0001	B0054	NP
- 260	2613087-6	. FITTING-RH FSO 2618087-8	B0055	B0303	NP
- 261	2613087-8	. FITTING-RH	B0304	& ON	01
		ATTACHING PARTS			
262	AN525-10R12	. SCREW OUTBD			08
- 263	AN3-10A	. BOLT INBD	B0001	B0054	04
- 264	AN3-10A	. BOLT INBD UPPER	B0055	& ON	02
- 265	AN3-11A	. BOLT INBD CENTER	B0055	& ON	02
- 266	AN3-12A	. BOLT INBD LOWER	B0055	& ON	02
- 267	NAS1149F0363P	. WASHER			12
- 268	MS21044N3	. NUT			12
- 269	NAS1425H03	. PIN-SWAGE LH FIREWALL ATTACH			18
- 270	NAS1425H03	. PIN-SWAGE RH FIREWALL ATTACH			12
- 271	NAS1425H04	. PIN-SWAGE RH FIREWALL ATTACH			05
- 272	NAS1080MG05	. COLLAR-LH			18
- 273	NAS1080MG05	. COLLAR-RH			17
		—*—			
274	AN3-7A	. BOLT			02
- 275	AN970-3	. WASHER			02
- 276	2613000-26	. NUT			02
277		. FORWARD CABIN TOP COMPONENTS REFER TO 53-10-02 FIGURE 01			RF

- ITEM NOT ILLUSTRATED

CESSNA®
MODEL 208
ILLUSTRATED PARTS CATALOG

A24763



DETAIL A
FORWARD CABIN TOP COMPONENTS
FIGURE 01 (SHEET 1)

26107002
A26133011
B26131002

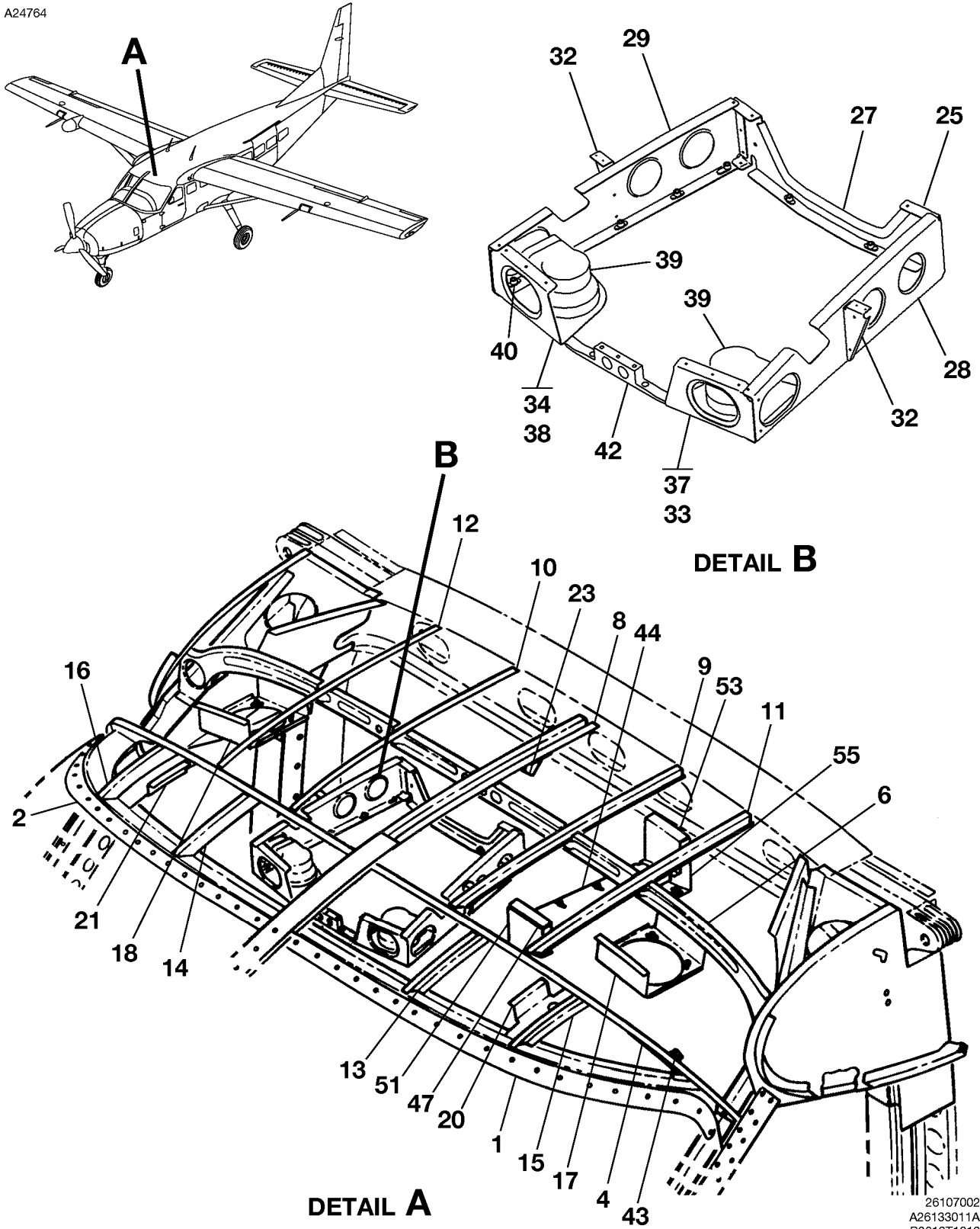
CESSNA®
MODEL 208
ILLUSTRATED PARTS CATALOG

FIG ITEM	PART NUMBER	NOMENCLATURE	UNITS		
			1	2	PER ASSY
01		FORWARD CABIN TOP COMPONENTS	0001	0223	RF
-					
1	2613051-3	. RETAINER ASSY-INNER WINDSHIELD LH .040 2024 T42			01
2	2613051-4	. RETAINER ASSY-INNER WINDSHIELD RH .040 2024 T42			01
- 3	MS21047L08	. . NUTPLATE			04
4	2613111-4	. BULKHEAD ASSY-CANT STA 142.00 .040 2024 T42			01
- 5	MS21051L08	. . NUTPLATE			02
6	2613128-2	. BULKHEAD-STA 154.00 FSO 2613128-3			NP
7	2613271-7	. STRINGER-CENTER S370	0001	0096	01
- 8	2613271-8	. STRINGER-CENTER S370	0097	0223	01
9	2613271-1	. STRINGER-LH S49-1			01
10	2613271-2	. STRINGER-RH S49-1			01
11	2613271-3	. STRINGER-OTBD LH S49-1			01
12	2613271-4	. STRINGER-OTBD RH S49-1			01
13	2613246-1	. STIFFENER-INBD LH .032 2024 T42			01
14	2613246-2	. STIFFENER-INBD RH .032 2024 T42			01
15	2613245-1	. STIFFENER-OTBD LH .032 2024 T42			01
16	2613245-2	. STIFFENER-OTBD RH .032 2024 T42			01
17	2613219-1	. BRACKET ASSY-SPEAKER LH .025 2024 T42			01
18	2613219-2	. BRACKET ASSY-SPEAKER RH .025 2024 T42			01
- 19	MS21047L3K	. . NUTPLATE			04
20	2615034-1	. BRACKET ASSY-SUNVISOR LH FSO 2615034-5	0001	0131	NP
- 21	2615034-5	. BRACKET ASSY-SUNVISOR LH .050 2024 T42	0132	0223	01
22	2615034-2	. BRACKET ASSY-SUNVISOR RH FSO 2615034-6	0001	0131	NP
- 23	2615034-6	. BRACKET ASSY-SUNVISOR RH .050 2024 T42	0132	0223	01
- 24	MS21047L3	. . NUTPLATE			02
25	2660037-3	. BRACKET ASSY-AILERON GUARD .050 2024 T42	0001	0096	01
- 26	2660037-7	. BRACKET ASSY-AILERON GUARD .050 2024 T42	0097	0223	01
- 27	MS21069L08K	. . NUTPLATE	0001	0096	01
- 27A	MS21069L08	. . NUTPLATE	0097	0223	01
- 28	2606021-1	. FRAME ASSY-OVERHEAD CONSOLE MOUNTING			01
29	2606021-3	. SUPPORT ASSY-AFT .032 2024 T3			01
- 30	NAS697A08	. . NUTPLATE			03
31	NAS557-3A	. . GROMMET			02
32	2606021-14	. CLIP-AFT .032 2024 T3			02
33	2606021-5	. SUPPORT ASSY-LH .032 2024 T3			01
34	2606021-6	. SUPPORT ASSY-RH .032 2024 T3			01
- 35	NAS696A08	. . NUTPLATE			02
- 36	NAS697A08	. . NUTPLATE			03
37	2606021-2	. GUSSET .032 2024 T3			02
38	2606021-13	. CLIP-FWD .032 2024 T3			02
39	2606021-9	. SUPPORT ASSY-FWD LH .032 2024 T3			01
40	2606021-10	. SUPPORT ASSY-FWD RH .032 2024 T3			01
- 41	NAS696A08	. . NUTPLATE			01
42	2606027-1	. SUPPORT-WEMAC LH .040 2024 T3			01
43	2606027-2	. SUPPORT-WEMAC RH .040 2024 T3			01
44		. MOUNT ASSY-FUEL CONTROLS REFER TO 28-23-00 FIGURE 01			RF
45	2606022-1	. BRACKET ASSY-OXYGEN SUPPORT FSO 2606022-5	0001	0158	NP
- 46	2606022-5	. BRACKET ASSY-OXYGEN SUPPORT .063 2024 T42	0159	0223	01
47	MS21071L3	. . NUTPLATE			02
48	2606022-3	. BRACKET ASSY-OXYGEN SUPPORT .063 2024 T42			01
49	MS21071L3	. . NUTPLATE			01
50	2606036-1	. BRACKET-OXYGEN CONTROL .040 2024 T42			01
51	2601100-1	. BRACKET-CREW OXYGEN OUTLET .040 2024 T3			02
52	2606025-1	. RETAINER ASSY-FUEL CONTROL			02
53	2613366-2	. MOUNTING PLATE ASSY-WARNING HORN			01
- 54	MS35207-261	. SCREW			01
- 55	MS21047L06	. . NUTPLATE			04
56	2613366-6	. BRACKET ASSY-FWD .032 2024 T3			01
- 57	MS21047L3	. . NUTPLATE			01
- 58	2613366-21	. HINGE HALF			02
- 59	MS20253P2-246	. HINGE PIN			01
60	2613366-18	. BRACKET ASSY-FWD .032 2024 T3			01
- 61	MS21047L3K	. . NUTPLATE			02
62	2613366-16	. BRACKET ASSY-AFT .032 2024 T3			01
- 63	MS21047L3K	. . NUTPLATE			01
64	2613366-4	. BRACKET ASSY-AFT .032 2024 T3			01
- 65	MS21047L3K	. . NUTPLATE			02

- ITEM NOT ILLUSTRATED

CESSNA®
MODEL 208
 ILLUSTRATED PARTS CATALOG

A24764



DETAIL A
DETAIL B
 FORWARD CABIN TOP COMPONENTS
 FIGURE 02 (SHEET 1)

26107002
 A26133011A
 B2613T1013

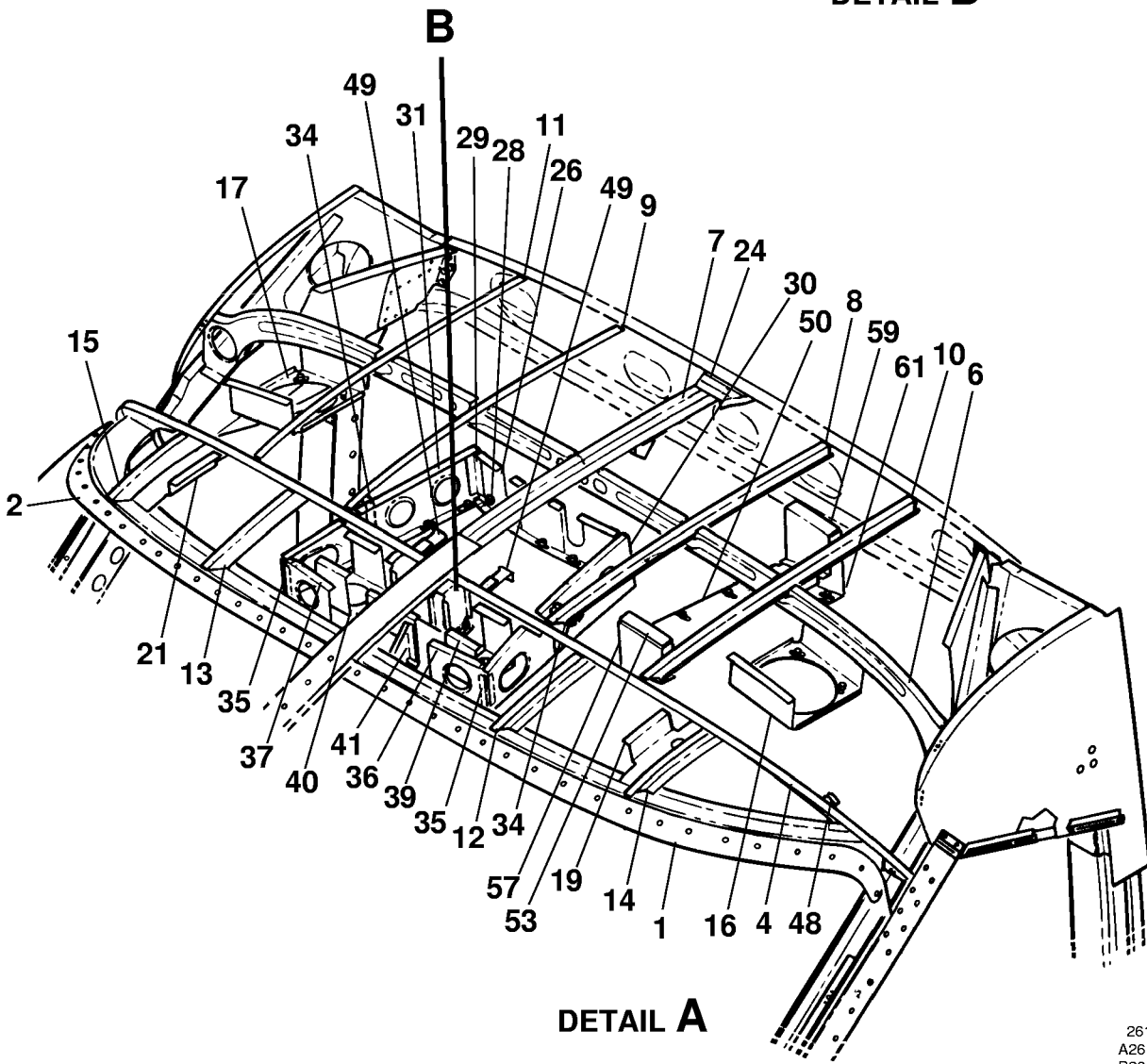
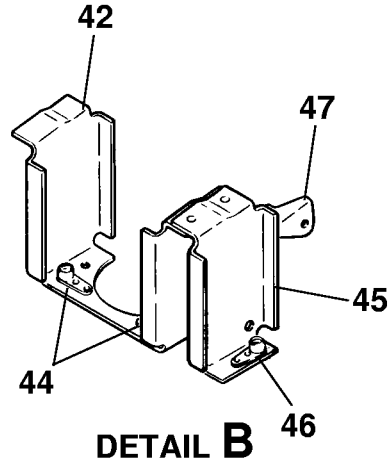
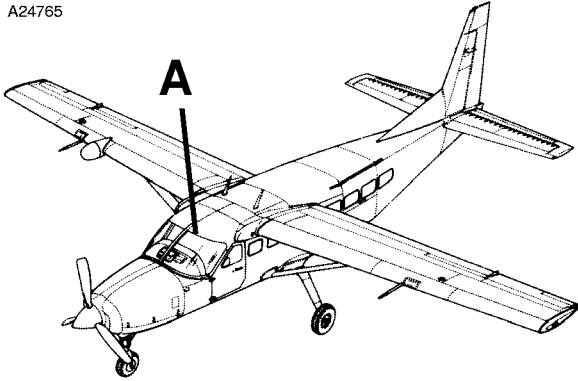
CESSNA®
MODEL 208
ILLUSTRATED PARTS CATALOG

FIG ITEM	PART NUMBER	NOMENCLATURE	UNITS		
			1	2	PER ASSY
02		FORWARD CABIN TOP COMPONENTS	0224	& ON	RF
-			0001	0499	01
1	2613051-3	. RETAINER ASSY-WINDSHIELD LH .040 2024 T42	0500	& ON	01
- 1A	2613051-5	. RETAINER ASSY-WINDSHIELD LH .040 2024 T42			01
2	2613051-4	. RETAINER ASSY-WINDSHIELD RH .040 2024 T42			01
- 3	MS21047L08	. . NUTPLATE			04
4	2613111-4	. BULKHEAD ASSY CANT STA 142.00 .040 2024 T42			01
- 5	MS21051L08	. . NUTPLATE			02
6	2613128-2	. BULKHEAD STA 154.00 FSO 2613128-3	0224	0235	NP
- 7	2613128-3	. BULKHEAD STA 154.00	0236	& ON	01
8	2613271-8	. STRINGER-CENTER S370			01
9	2613271-1	. STRINGER-LH S49-1			01
10	2613271-2	. STRINGER-RH S49-1			01
11	2613271-3	. STRINGER-OUTBD LH S49-1			01
12	2613271-4	. STRINGER-OUTBD RH S49-1			01
13	2613246-1	. STIFFENER-INBD LH .032 2024 T42			01
14	2613246-2	. STIFFENER-INBD RH .032 2024 T42			01
15	2613245-1	. STIFFENER-OUTBD LH .032 2024 T42			01
16	2613245-2	. STIFFENER-OUTBD RH .032 2024 T42			01
17	2613219-1	. BRACKET ASSY-SPEAKER LH .025 2024 T42			01
18	2613219-2	. BRACKET ASSY-SPEAKER RH .025 2024 T42			01
- 19	MS21047L3K	. . NUTPLATE			04
20	2615034-5	. BRACKET ASSY-SUNVISOR LH .050 2024 T42			01
21	2615034-6	. BRACKET ASSY-SUNVISOR RH .050 2024 T42			01
- 22	MS21047L3	. . NUTPLATE			02
23	2660037-7	. BRACKET ASSY-AILERON GUARD .050 2024 T42			01
- 24	MS21069L08	. . NUTPLATE			01
25	2613432-1	. SUPPORT ASSY-OVERHEAD CONSOLE AFT			01
- 26	NAS697A08	. . NUTPLATE			02
27	S2195-3-10.25	. TRIM			01
28	2613431-1	. SUPPORT ASSY-OVERHEAD CONSOLE LH .032 2024 T42			01
29	2613431-2	. SUPPORT ASSY-OVERHEAD CONSOLE RH .032 2024 T42			01
- 30	NAS696A08	. . NUT			01
- 31	NAS697A08	. . NUTPLATE			02
32	2606021-2	. GUSSET .032 2024 T3			02
33	2613430-1	. SUPPORT ASSY-OVERHEAD CONSOLE FWD LH USED ON CARGO AIRCRAFT .032 2024 T42			01
34	2613430-2	. SUPPORT ASSY- OVERHEADCONSOLE FWD RH USED ON CARGO AIRCRAFT .032 2024 T42			01
- 35	MS21047L08	. . NUTPLATE			01
- 36	NAS697A08	. . NUTPLATE			02
37	2613430-5	. SUPPORT ASSY-OVERHEAD CONSOLE FWD LH USED ON PASSENGER AIRCRAFT .032 2024 T42-FSO 2613430-9	0001	0380	NP R
- 37A	2613430-9	. SUPPORT ASSY-OVERHEAD CONSOLE FWD LH USED ON PASSENGER AIRCRAFT .032 2024 T42	0381	& ON	01 R
38	2613430-6	. SUPPORT ASSY- OVERHEAD CONSOLE FWD RH USED ON PASSENGER AIRCRAFT .032 2024 T42-FSO 2613430-10	0001	0380	01 R
- 38A	2613430-10	. SUPPORT ASSY- OVERHEAD CONSOLE FWD RH USED ON PASSENGER AIRCRAFT .032 2024 T42	0381	& ON	01 R
39	X7244-1	. . OUTLET			01
40	NAS697A08	. . NUTPLATE			02
- 41	MS21071L08	. . NUTPLATE			01
42		. MOUNT ASSY-FUEL CONTROLS REFER TO 28-23-00 FIGURE 01			RF
43	2601100-1	. BRACKET-CREW OXYGEN OUTLET .040 2024 T3			02
44	2613366-2	. MOUNTING PLATE ASSY-WARNING HORN			01
		. ATTACHING PARTS			
- 45	MS35207-261	. SCREW			01
		. *			
- 46	MS21047L06	. . NUTPLATE			04
47	2613366-6	. BRACKET ASSY BRACKET ASSY-FWD .032 2024 T3			01
- 48	MS21047L3	. . NUTPLATE			01
- 49	2613366-21	. . HINGE			02
- 50	MS20253P2-246	. . HINGE PIN			01
51	2613366-18	. BRACKET ASSY-FWD .032 2024 T3			01
- 52	MS21047L3K	. . NUTPLATE			02
53	2613366-16	. BRACKET ASSY-AFT .032 2024 T3			01
- 54	MS21047L3K	. . NUTPLATE			01
55	2613366-4	. BRACKET ASSY-AFT .032 2024 T3			01
- 56	MS21047L3K	. . NUTPLATE			02

- ITEM NOT ILLUSTRATED

CESSNA®
MODEL 208
 ILLUSTRATED PARTS CATALOG

A24765



FORWARD CABIN TOP COMPONENTS
 FIGURE 03 (SHEET 1)

26107002
 A26133001
 B26131002

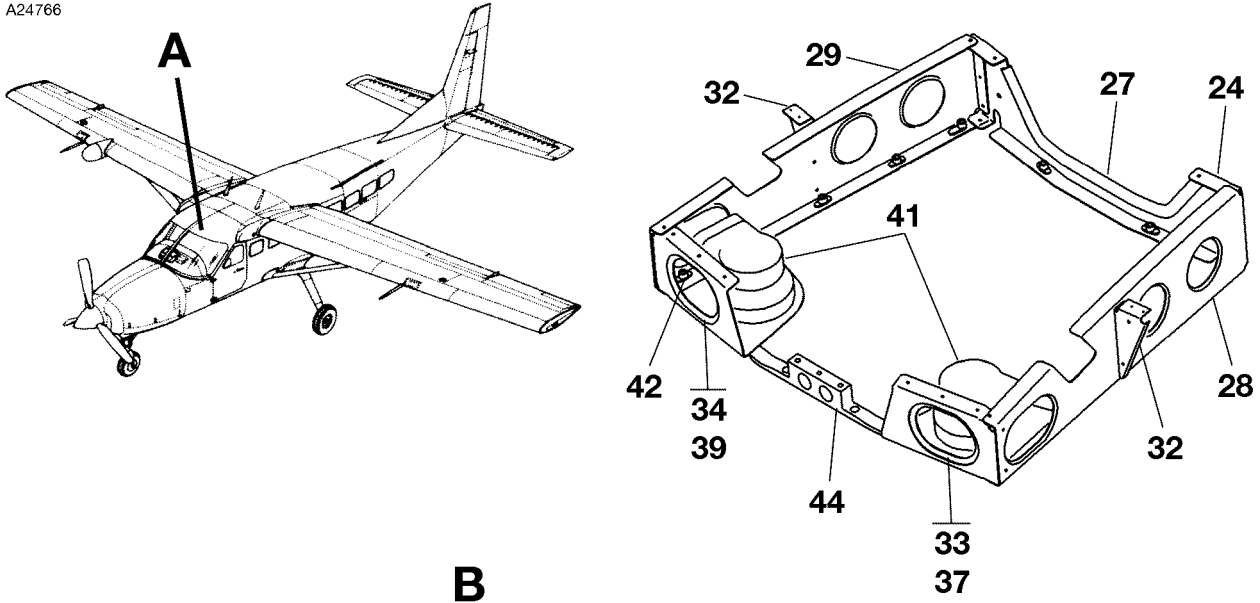
CESSNA®
MODEL 208
ILLUSTRATED PARTS CATALOG

FIG ITEM	PART NUMBER	NOMENCLATURE	UNITS		
			PER	ASSY	
03		FORWARD CABIN TOP COMPONENTS	B0001	B0326	RF
-					
1	2613051-3	. RETAINER ASSY-WINDSHIELD LH .032 2024 T42			01
2	2613051-4	. RETAINER ASSY-WINDSHIELD RH .032 2024 T42			01
- 3	MS21047L08K	. . NUTPLATE			04
4	2613111-4	. BULKHEAD ASSY-CANT STA 142.00 .040 2024 T42			01
- 5	MS21051L08	. . NUTPLATE			02 R
6	2613128-2	. BULKHEAD-STA 154.00 FSO 2613128-3			NP
7	2613271-8	. STRINGER-CENTER S370			01
8	2613271-1	. STRINGER-LH S49-1			01
9	2613271-2	. STRINGER-RH S49-1			01
10	2613271-3	. STRINGER-OTBD LH S49-1			01
11	2613271-4	. STRINGER-OTBD RH S49-1			01
12	2613246-1	. STIFFENER-INBD LH .032 2024 T42			01
13	2613246-2	. STIFFENER-INBD RH .032 2024 T42			01
14	2613245-1	. STIFFENER-OTBD LH .032 2024 T42			01
15	2613245-2	. STIFFENER-OTBD RH .032 2024 T42			01
16	2613219-1	. BRACKET ASSY-SPEAKER LH .025 2024 T42			01
17	2613219-2	. BRACKET ASSY-SPEAKER RH .025 2024 T42			01
- 18	MS21047L3K	. . NUTPLATE			04
19	2615034-1	. BRACKET ASSY-SUNVISOR LH FSO 2615034-5	B0001	B0054	NP
- 20	2615034-5	. BRACKET ASSY-SUNVISOR LH .050 2024 T42	B0055	B0326	01
21	2615034-2	. BRACKET ASSY-SUNVISOR RH FSO 2615034-6	B0001	B0054	NP
- 22	2615034-6	. BRACKET ASSY-SUNVISOR RH .050 2024 T42	B0055	B0326	01
- 23	MS21047L3	. . NUTPLATE			02
24	2613002-1	. ATTACH BRACKET .063 2024 T42			01
- 25	2606021-1	. FRAME ASSY-OVERHEAD CONSOLE MOUNTING			01
26	2606021-3	. . SUPPORT ASSY-OVERHEAD CONSOLE AFT .032 2024 T3			01
- 27	NAS697A08	. . NUTPLATE			03
28	NAS557-3A	. . GROMMET			02
29	2606021-14	. . CLIP-AFT			02
30	2606021-5	. . SUPPORT ASSY-OVERHEAD CONSOLE LH .032 2024 T3			01
31	2606021-6	. . SUPPORT ASSY-OVERHEAD CONSOLE RH .032 2024 T3			01
- 32	NAS696A08	. . NUTPLATE			02
- 33	NAS697A08	. . NUTPLATE			03
34	2606021-2	. . GUSSET .032 2024 T3			02
35	2606021-13	. . CLIP-FWD .032 2024 T3			02
36	2606021-9	. . SUPPORT ASSY-OVERHEAD CONSOLE FWD LH .032 2024 T3			01
37	2606021-10	. . SUPPORT ASSY-OVERHEAD CONSOLE FWD RH .032 2024 T3			01
- 38	NAS696A08	. . NUTPLATE			01
39	2606027-1	. SUPPORT-WEMAC LH .040 2024 T3			01
40	2606027-2	. SUPPORT-WEMAC RH .040 2024 T3			01
41		. MOUNT ASSY FUEL CONTROLS REFER TO 28-23-00 FIGURE 01			RF
42	2606022-1	. BRACKET ASSY-OXYGEN SUPPORT FSO 2606022-5	B0001	B0185	NP
- 43	2606022-5	. BRACKET ASSY-OXYGEN SUPPORT .063 2024 T42	B0136	B0326	01
44	MS21071L3	. . NUTPLATE			02
45	2606022-3	. BRACKET ASSY-OXYGEN SUPPORT .063 2024 T42			01
46	MS21071L3	. . NUTPLATE			01
47	2606036-1	. BRACKET-OXYGEN CONTROL .040 2024 T42			01
48	2601100-1	. BRACKET-CREW OXYGEN OUTLET .040 2024 T3			02
49	2606025-1	. RETAINER ASSY-FUEL CONTROL			02
50	2613366-2	. MOUNTING PLATE ASSY-WARNING HORN			01
		ATTACHING PARTS			
- 51	MS35207-261	. SCREW			01
		—*—			
- 52	NAS680A06	. . NUTPLATE			04
53	2613366-6	. BRACKET ASSY-FWD .032 2024 T3			01
- 54	MS21047L3	. . NUTPLATE			01
- 55	2613366-21	. . HINGE HALF			02
- 56	MS20253P2-246	. . HINGE PIN			01
57	2613366-18	. BRACKET ASSY-FWD .032 2024 T3			01
- 58	MS21047L3K	. . NUTPLATE			02
59	2613366-16	. BRACKET ASSY-AFT .032 2024 T3			01
- 60	MS21047L3K	. . NUTPLATE			01
61	2613366-4	. BRACKET ASSY-AFT .032 2024 T3			01
- 62	MS21047L3K	. . NUTPLATE			02

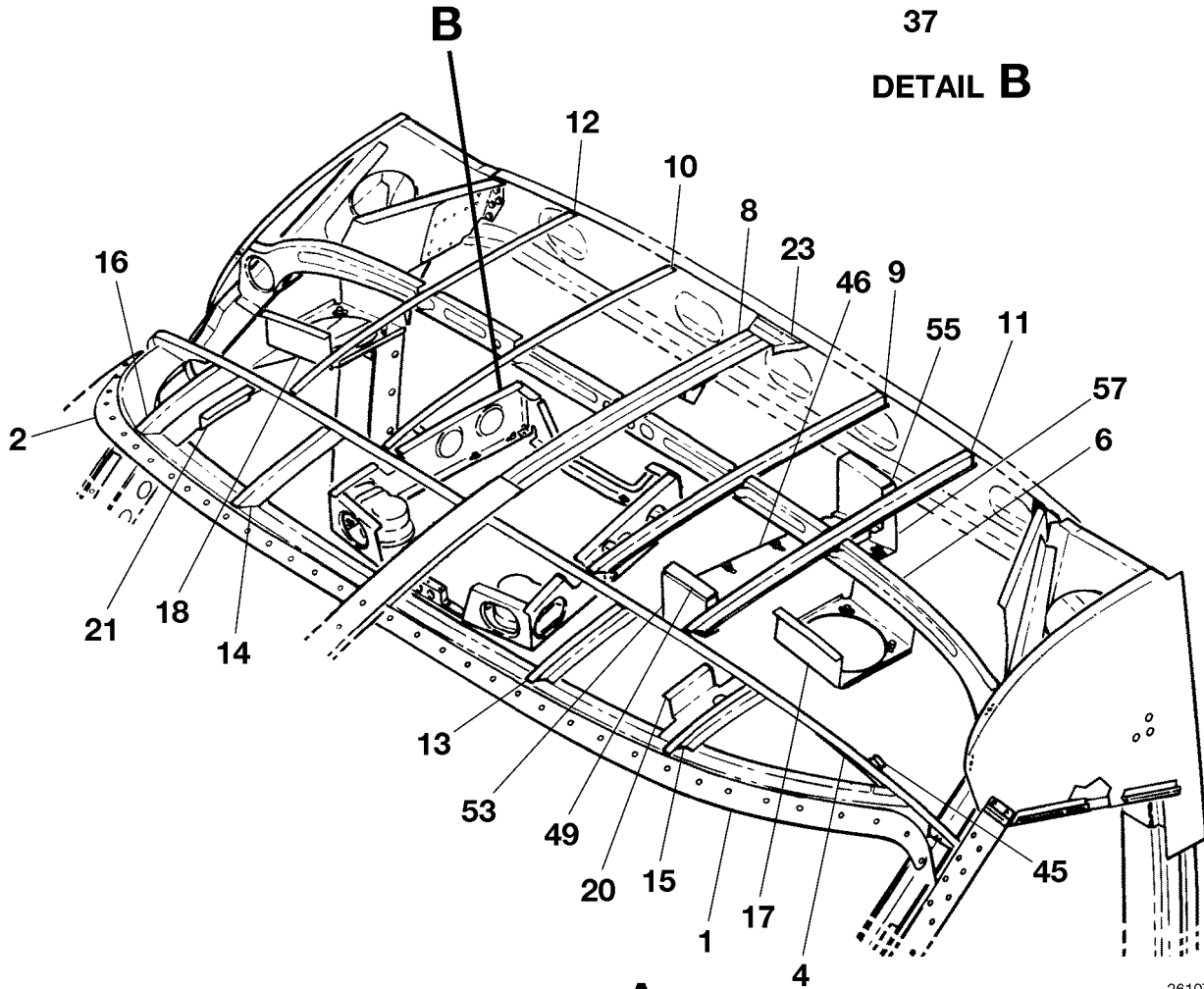
- ITEM NOT ILLUSTRATED

CESSNA®
MODEL 208
 ILLUSTRATED PARTS CATALOG

A24766



DETAIL B



DETAIL A

FORWARD CABIN TOP COMPONENTS
 FIGURE 04 (SHEET 1)

2610T7001
 A2613R3001A
 B2613R1013

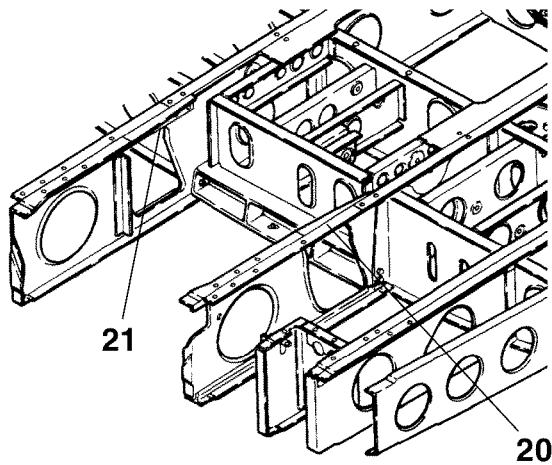
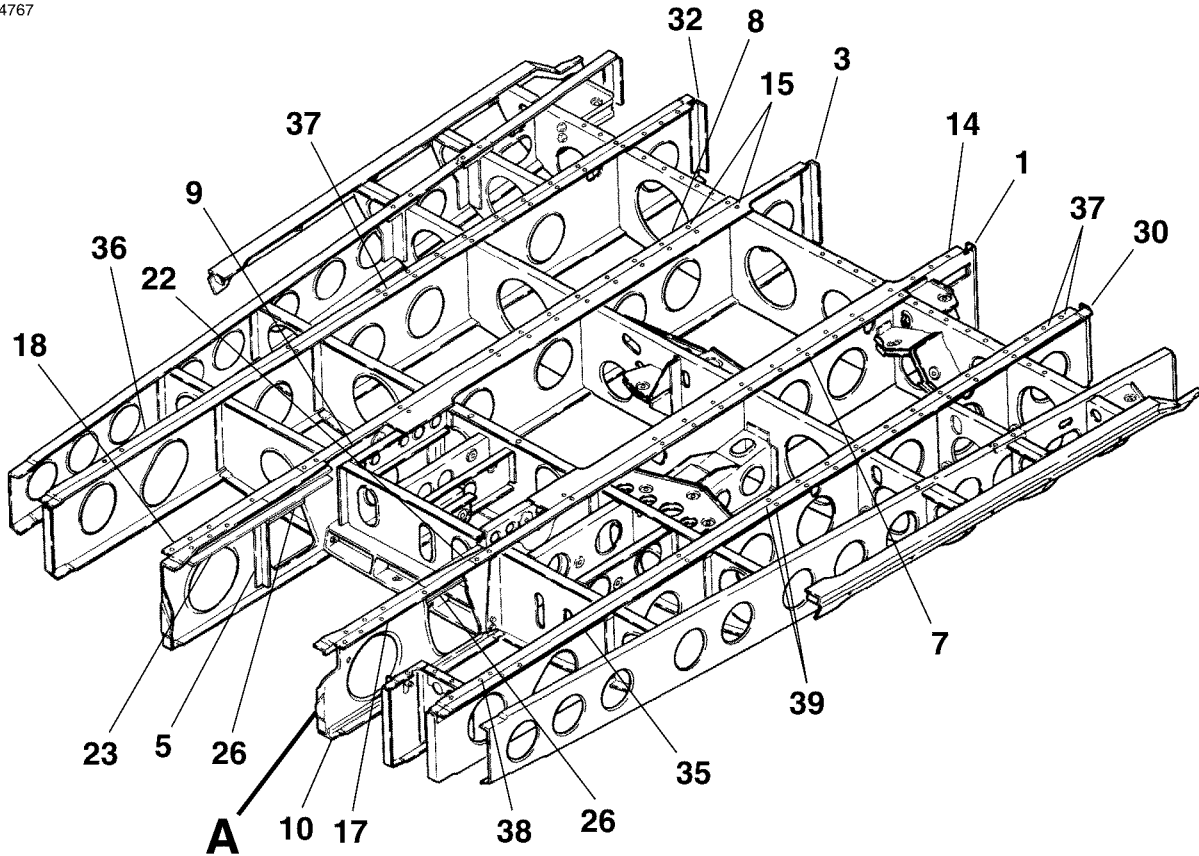
CESSNA®
MODEL 208
ILLUSTRATED PARTS CATALOG

FIG ITEM	PART NUMBER	NOMENCLATURE	UNITS	
			PER	ASSY
04		FORWARD CABIN TOP COMPONENTS		
-			B0327	& ON RF
1	2613051-3	. RETAINER ASSY-WINDSHIELD LH .040 2024 T42	B0327	B1999 01
- 1A	2613051-5	. RETAINER ASSY-WINDSHIELD LH .040 2024 T42	B2000	& ON 01
2	2613051-4	. RETAINER ASSY-WINDSHIELD RH .040 2024 T42		01
- 3	MS21047L08	. . NUTPLATE		04
4	2613111-4	. BULKHEAD ASSY CANT STA 142.00 .040 2024 T42		01
- 5	MS21051L08	. . NUTPLATE		02
6	2613128-2	. BULKHEAD STA 154.00 FSO 2613128-3	B0327	B0377 01
- 7	2613128-3	. BULKHEAD STA 154.00	B0378	& ON 01
8	2613271-8	. STRINGER-CENTER S370		01
9	2613271-1	. STRINGER-LH S49-1		01
10	2613271-2	. STRINGER-RH S49-1		01
11	2613271-3	. STRINGER-OUTBD LH S49-1		01
12	2613271-4	. STRINGER-OUTBD RH S49-1		01
13	2613246-1	. STIFFENER-INBD LH .032 2024 T42		01
14	2613246-2	. STIFFENER-INBD RH .032 2024 T42		01
15	2613245-1	. STIFFENER-OUTBD LH .032 2024 T42		01
16	2613245-2	. STIFFENER-OUTBD RH .032 2024 T42		01
17	2613219-1	. BRACKET ASSY-SPEAKER LH .025 2024 T42		01
18	2613219-2	. BRACKET ASSY-SPEAKER RH .025 2024 T42		01
- 19	MS21047L08K	. . NUTPLATE		04
20	2615034-5	. BRACKET ASSY-SUNVISOR LH .050 2024 T42		01
21	2615034-6	. BRACKET ASSY-SUNVISOR RH .050 2024 T42		01
- 22	MS21047L3	. . NUTPLATE		02
23	2613002-1	. BRACKET- ATTACH .063 2024 T42		01
24	2613432-1	. SUPPORT ASSY-OVERHEAD CONSOLE AFT	B0327	B4999 01
- 25	2613434-1	. SUPPORT ASSY-OVERHEAD CONSOLE AFT	B5000	& ON 01
- 26	MS21059L04	. . NUTPLATE		02
27	S2195-3-10.25	. TRIM		01
28	2613431-1	. SUPPORT ASSY-OVERHEAD CONSOLE LH .032 2024 T42		01
29	2613431-2	. SUPPORT ASSY-OVERHEAD CONSOLE RH .032 2024 T42		01
- 30	NAS696A08	. . NUT		01
- 31	NAS697A08	. . NUTPLATE		02
32	2606021-2	. GUSSET .032 2024 T3		02
33	2613430-1	. SUPPORT ASSY-OVERHEAD CONSOLE FWD LH USED ON CARGO AIRCRAFT .032 2024 T42		01
34	2613430-2	. SUPPORT ASSY-OVERHEAD CONSOLE FWD RH USED ON CARGO AIRCRAFT .032 2024 T42		01
- 35	MS21071L08	. . NUTPLATE		01
- 36	NAS697A08	. . NUTPLATE		02
37	2613430-5	. SUPPORT ASSY-OVERHEAD CONSOLE FWD-LH .032 2024 T42 FSO 2613430-9	B0327	B1071 NP R
- 38	2613430-9	. FWD BRACKET ASSY-LH	B1072	& ON 01
39	2613430-6	. SUPPORT ASSY-OVERHEAD CONSOLE FWD-RH .032 2024 T42 FSO 2613430-10	B0327	B1071 NP
- 40	2613430-10	. FWD BRACKET ASSY-RH	B1072	& ON 01
41	X7244-1	. . OUTLET		01
42	NAS697A08	. . NUTPLATE		02
- 43	MS21071L08	. . NUTPLATE		01
44		. MOUNT ASSY-FUEL CONTROLS REFER TO 28-23-00 FIGURE 01		RF
45	2601100-1	. BRACKET-CREW OXYGEN OUTLET .040 2024 T3		02
46	2613366-2	. MOUNTING PLATE ASSY-WARNING HORN		01
		ATTACHING PARTS		
- 47	MS35207-261	. SCREW		01
		—*—		
- 48	MS21047L06	. . NUTPLATE		04
49	2613366-6	. BRACKET ASSY-FWD .032 2024 T3		01
- 50	MS21047L3	. . NUTPLATE		01
- 51	2613366-21	. HINGE		02
- 52	MS20253P2-246	. HINGE PIN		01
53	2613366-18	. BRACKET ASSY-FWD .032 2024 T3		01
- 54	MS21047L3K	. . NUTPLATE		02
55	2613366-16	. BRACKET ASSY-AFT .032 2024 T3		01
- 56	MS21047L3K	. . NUTPLATE		01
57	2613366-4	. BRACKET ASSY-AFT .032 2024 T3		01
- 58	MS21047L3K	. . NUTPLATE		02

- ITEM NOT ILLUSTRATED

CESSNA®
MODEL 208
ILLUSTRATED PARTS CATALOG

A24767



DETAIL A

AIRPLANES 20800001 THRU 20800129
AND 208B0001 THRU 208B0054

26133004A
A26133004

LOWER FORWARD FUSELAGE STRUCTURE
FIGURE 01 (SHEET 1)

CESSNA®
MODEL 208
ILLUSTRATED PARTS CATALOG

FIG ITEM	PART NUMBER	NOMENCLATURE	UNITS PER ASSY		
			1	2	3
01		LOWER FORWARD FUSELAGE STRUCTURE			RF
- 1	2613105-1	. LONGERON ASSY-LH BL 8.00 FSO 2613105-44	0001	0139	NP
- 2	2613105-31	. LONGERON ASSY-LH BL 8.00 FSO 2613105-44	B0001	B0054	NP
- 2A	2613105-44	. LONGERON ASSY-LH BL 8.00	0140	0278	NP
- 2B	2613499-1	. LONGERON ASSY-LH BL 8.00	B0055	B0674	NP
3	2613105-2	. LONGERON ASSY-RH BL 8.00 FSO 2613105-28	0279	0517	01
- 4	2613105-28	. LONGERON ASSY-RH BL 8.00	B0675	& ON	01
5	2613105-21	. STIFFENER-FWD S86	0518	& ON	01
- 6	2613105-18	. SUPPORT-AFT LH ONLY .040 2024 T42	0001	0099	NP
7	2613105-9	. STIFFENER-LH .040 2024 T3	0100	& ON	01
8	2613105-10	. STIFFENER-RH .040 2024 T3	B0001	& ON	01
- 8A	2691001-2	. . . STIFFENER REFER TO NOTE 1	0251	0293	01
- 8B	2691001-3	. . . DOUBLER REFER TO NOTE 1	B0543	B0708	01
9	S2600-2-2-3	. . . WASHER-CONTROL COLUMN ATTACH	0251	0293	01
10	2613105-17	. . . ATTACH ANGLE-LWR FWD LH S95	B0543	B0708	01
- 11	2613105-24	. . . ATTACH ANGLE-LWR FWD RH S95			01
- 12	2613105-19	. . . ANGLE-AFT LH ATTACH .040 2024 T42			01
- 13	2613105-20	. . . ANGLE-AFT RH ATTACH .040 2024 T42			01
14	MS21047L3	. . . NUTPLATE-LH			19
15	MS21047L3	. . . NUTPLATE-RH			16
- 16	NAS697A3	. . . NUTPLATE-FWD RH ONLY			02
17	2613273-1	. CHANNEL ASSY-LH OUTBD BL 8.00 .040 2024 T42			01
18	2613273-2	. CHANNEL ASSY-RH OUTBD BL 8.00 .040 2024 T42			01
- 19	MS21047L3	. . . NUTPLATE			12
20	2613274-1	. STIFFENER ASSY-LH INBD BL 8.00 FSO 2613105-9	0001	0129	NP
21	2613274-2	. STIFFENER ASSY-RH INBD BL 8.00 FSO 2613105-10	B0001	B0054	NP
22	2613113-9	. STIFFENER ASSY-LH INBD BL 8.00	0001	0129	NP
23	2613113-10	. STIFFENER ASSY-RH INBD BL 8.00	B0001	B0054	01
- 24	AN3-3A	. . . BOLT-STIFFENER ATTACH			07
- 25	MS21047L3	. . . NUTPLATE			02
26	2613113-8	. . . STOP BLOCK .025 2024 T3			02
- 27	MS24694-S53	. . . SCREW			02
- 28	NAS1149F0332P	. . . WASHER			02
- 29	MS21044N3	. . . NUT			02
30	2613105-5	. LONGERON ASSY-LH BL 19.00	0001	0127	01
- 31	2613105-39	. LONGERON ASSY-LH BL 19.00	B0001	B0069	01
- 31A	2613499-5	. LONGERON ASSY-LH BL 19.00	0128	0517	01
32	2613105-6	. LONGERON ASSY-RH BL 19.00	B0070	& ON	01
- 33	2613105-40	. LONGERON ASSY-RH BL 19.00	0518	& ON	01
- 33A	2613499-6	. LONGERON ASSY-RH BL 19.00	0001	0127	01
- 34	2613105-11	. . . BRACKET-AFT ATTACH .040 2024 T42	B0001	B0069	01
35	2613105-15	. . . STIFFENER-LH .040 2024 T42	0128	0517	01
36	2613105-16	. . . STIFFENER-RH .040 2024 T42	B0070	& ON	01
- 36A	2691001-2	. . . STIFFENER .040 2024 T3 REFER TO NOTE 1	0518	& ON	01
- 36B	2691001-3	. . . DOUBLER .040 2024 T3 REFER TO NOTE 1	0251	0293	01
37	MS21047L3	. . . NUTPLATE-LH ONLY	B0543	B0708	21
38	NAS682A3	. . . NUTPLATE-LH ONLY	0251	0293	01
39	MS21047L3	. . . NUTPLATE-RH ONLY	B0543	B0708	01
- 40	2613495-1	. . . DOUBLER-TKS LH BETWEEN BL 8.0 AND BL 19.00 REFER TO NOTE 2			01
- 41	2613495-2	. . . DOUBLER-TKS RH BETWEEN BL 8.0 AND BL 19.00 REFER TO NOTE 2			01
- 42	2613495-9	. . . DOUBLER-CUTOUTS BETWEEN BL 8.0 AND BL 19.00 REFER TO NOTE 2			01 R
- 43	2613495-10	. . . DOUBLER-CONNECTORS BETWEEN BL 8.0 AND BL 19.00 REFER TO NOTE 2			01 R
- 44	2613495-11	. . . STIFFENER-BETWEEN BL 8.0 AND BL 19.00 REFER TO NOTE 2			01 R

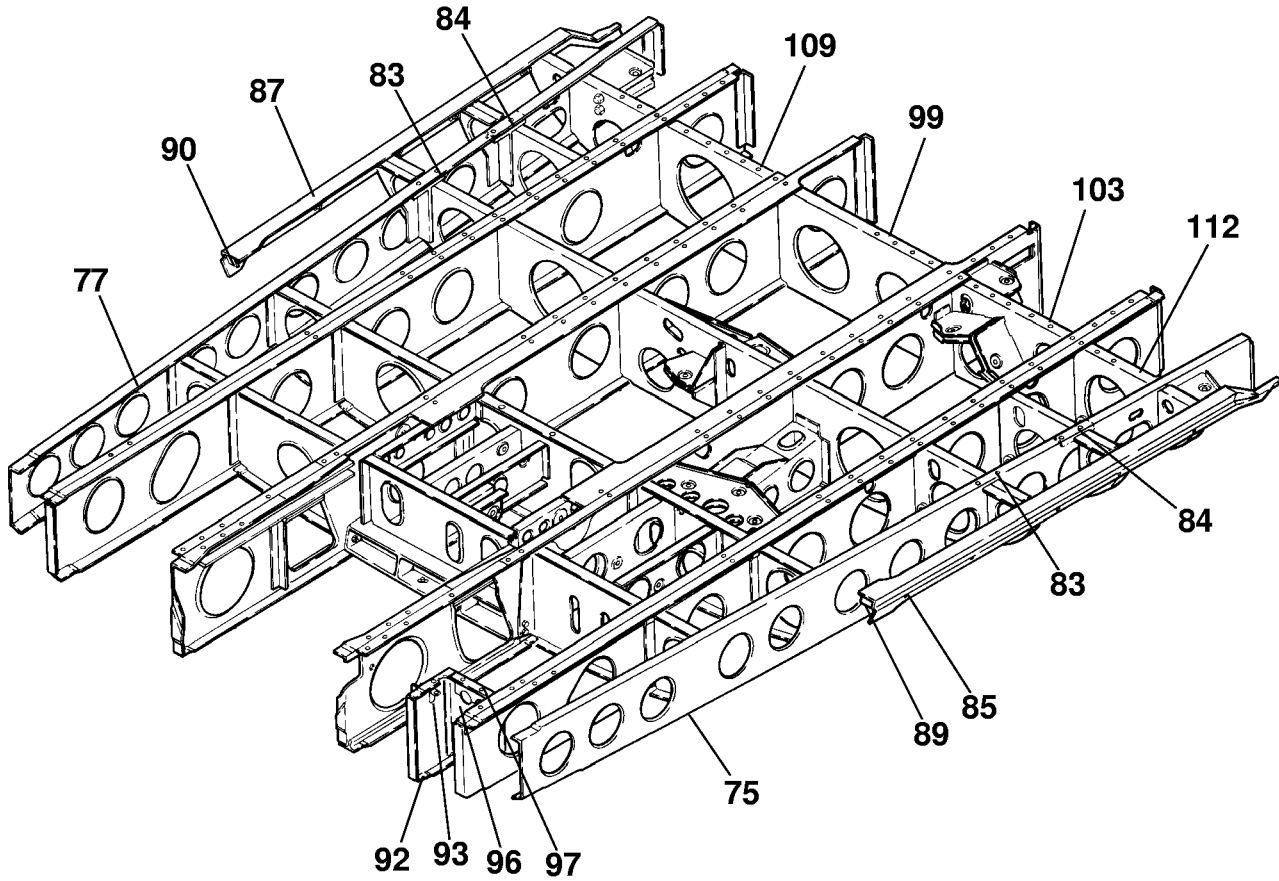
NOTE 1—AIRPLANES -0251 THRU -0293 AND -B0543 THRU -B708 INCORPORATING SK208-138.

NOTE 2—THIS PART/ASSEMBLY WAS INSTALLED WITH TKS AND/OR LOW AIRSPEED AWARENESS (LAA) SYSTEMS ON PRODUCTION AIRCRAFT AND IS ALSO AFFECTED BY ONE OR MORE OF THE FOLLOWING CESSNA AIRCRAFT CARAVAN BULLETIN(S) AND/OR SERVICE KIT NUMBERS: SK208-174, SK208-175, SK208-179, SK208-180, CAB09-9, AND CAB08-7. PLEASE REFER TO THE SPECIFIC CAB OR SERVICE KIT FOR SERIAL SPECIFIC ORDERING INFORMATION.

- ITEM NOT ILLUSTRATED

CESSNA®
MODEL 208
ILLUSTRATED PARTS CATALOG

A24768



26133004A

LOWER FORWARD FUSELAGE STRUCTURE
FIGURE 01 (SHEET 2)

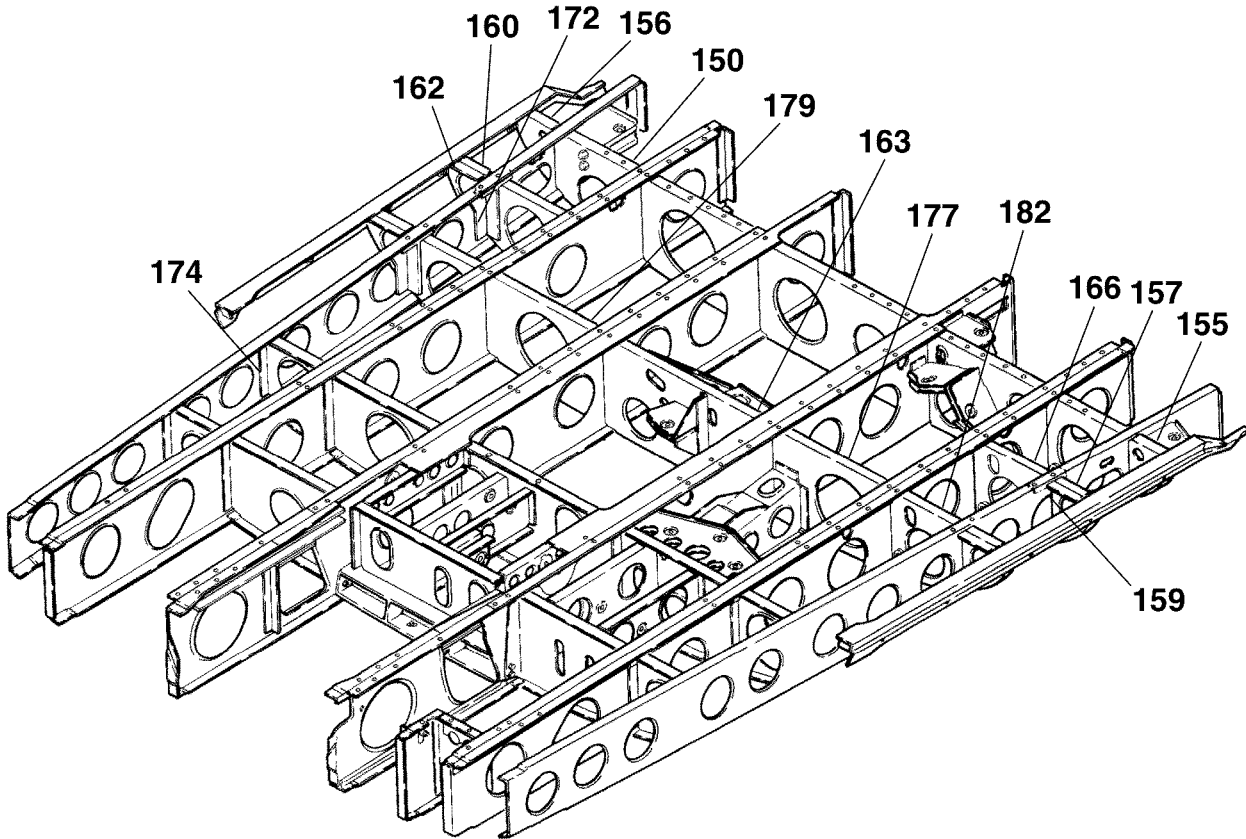
**CESSNA®
MODEL 208
ILLUSTRATED PARTS CATALOG**

FIG ITEM	PART NUMBER	NOMENCLATURE	UNITS PER ASSY		
			1	2	3
01					
75	2613136-7	. LONGERON ASSY-LH OUTBD FSO 2613136-11	0001	0127	NP
- 76	2613136-11	. LONGERON ASSY-LH OUTBD	B0001	B0069	
			0128	& ON	01
			B0070	& ON	
77	2613136-8	. LONGERON ASSY-RH OUTBD FSO 2613136-12	0001	0127	NP
- 78	2613136-12	. LONGERON ASSY-RH OUTBD	B0001	B0069	
			0128	& ON	01
			B0070	& ON	
- 79	2613137-1	. . BRACKET-AFT LH ATTACH .063 2024 T42			01
- 80	2613137-2	. . BRACKET-AFT RH ATTACH .063 2024 T42			01
- 81	2613136-5	. . ANGLE-CREW STEP SUPPORT LH STA 151.10 .032 2024 T42	0001	0127	01
			B0001	B0069	
- 82	2613136-6	. . ANGLE-CREW STEP SUPPORT RH STA 151.10 .032 2024 T42	0001	0127	01
			B0001	B0069	
83	NAS682A4	. . NUTPLATE	0001	0127	02
84	MS21047L4	. . NUTPLATE	0001	0127	02
			B0001	B0069	
85	2613126-1	. SILL ASSY-LH CREW DOOR	0001	0127	01
- 86	2613126-5	. SILL ASSY-LH CREW DOOR	B0001	B0069	
			0128	& ON	01
			B0070	& ON	
87	2613126-2	. SILL ASSY-RH CREW DOOR	0001	0127	01
- 88	2613126-6	. SILL ASSY-RH CREW DOOR	B0001	B0069	
			0128	& ON	01
			B0070	& ON	
89	2613127-1	. . CLIP-FWD LH ATTACH .040 2024 T42			01
90	2613127-4	. . CLIP-FWD RH ATTACH .040 2024 T42			01
- 91	MS21047L3	. . NUTPLATE-SCUFF PLATE ATTACH			05
92	2613355-1	. BULKHEAD ASSY LBL 14.20			01
93	S2300-30	. . BRACKET			01
- 94	2613355-3	. . ATTACH ANGLE .032 2024 T42			01
- 95	MS21071L3	. . NUTPLATE			01
96	2613355-5	. BULKHEAD-FUEL VALVE CLOSURE .032 2024 T42			01
97	2613355-6	. BULKHEAD ASSY-FUEL VALVE CLOSURE			01
- 98	MS21047L3	. . NUTPLATE			02
99	2613079-1	. BULKHEAD ASSY-CTR STA 158.00 FSO 2613079-28	0001	0198	NP
			B0001	B0246	
- 100	2613079-28	. BULKHEAD ASSY-CTR STA 158.00	0199	& ON	01
			B0247	& ON	
- 101	MS21047L3	. . NUTPLATE			03
- 102	MS21086L3	. . NUTPLATE			01
103	2613079-7	. BULKHEAD ASSY-LH INBD STA 158.00 FSO 2613079-27	0001	0198	NP
			B0001	B0246	
- 104	2613079-27	. BULKHEAD ASSY-LH INBD STA 158.00	0199	& ON	01
			B0247	& ON	
- 105	2613313-2	. . STIFFENER ASSY FSO 2613313-4	0001	0185	NP
			B0001	B0214	
- 106	2613313-4	. . STIFFENER ASSY S88-0	0186	& ON	01
			B0215	& ON	
- 107	NAS682A3	. . . NUTPLATE			01
- 108	MS21047L3	. . NUTPLATE			05
109	2613079-8	. BULKHEAD ASSY-RH INBD STA 158.00 FSO 2613079-26	0001	0198	NP
			B0001	B0246	
- 110	2613079-26	. BULKHEAD ASSY-RH INBD STA 158.00 .032 2024 T3	0001	0246	01
			B0247	& ON	
- 111	MS21047L3	. . NUTPLATE			02
112	2613079-11	. BULKHEAD ASSY-LH STA 158.00 .032 2024 T42	0001	0089	01
- 113	2613079-21	. BULKHEAD ASSY-LH STA 158.00 .032 2024 T3	0090	0198	01
			B0001	B0246	
- 114	2613079-29	. BULKHEAD ASSY-LH STA 158.00 .032 2024 T3	0199	& ON	01
			B0247	& ON	

- ITEM NOT ILLUSTRATED

CESSNA®
MODEL 208
ILLUSTRATED PARTS CATALOG

A24769



FOR AIRPLANES 208 20800001 THRU
20800127 AND 208B 208B0001 THRU
208B0069 REFER TO SK208-44 FOR
CREW STEP STRUCTURAL IMPROVEMENT.

26133004A

LOWER FORWARD FUSELAGE STRUCTURE
FIGURE 01 (SHEET 3)

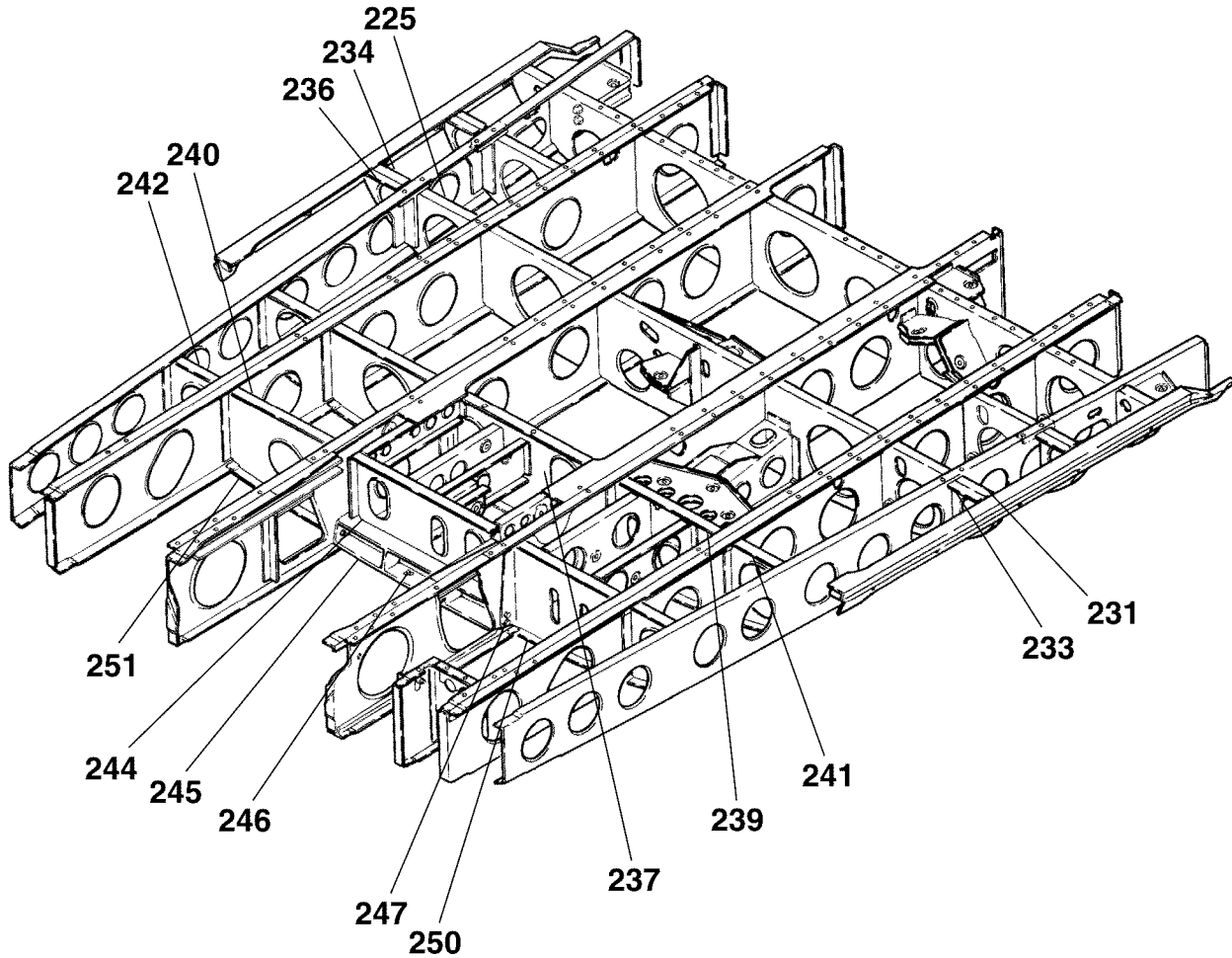
CESSNA®
MODEL 208
ILLUSTRATED PARTS CATALOG

FIG ITEM	PART NUMBER	NOMENCLATURE	UNITS		
			1	2	PER ASSY
01					
150	2613079-12	. BULKHEAD ASSY-RH STA 158.00 .032 2024 T3	0001	0089	01
- 151	2613079-22	. BULKHEAD ASSY-RH STA 158.00 .032 2024 T3	0090	0198	01
			B0001	B0246	
- 152	2613079-30	. BULKHEAD ASSY-RH STA 158.00 .032 2024 T3	0199	& ON	01
			B0247	& ON	
- 153	MS21047L3	. . NUTPLATE			02
- 154	MS35489-5	. . GROMMET	0001	0089	01
155	2613225-3	. BULKHEAD-LH OUTBD STA 158.00 .032 2024 T42			01
156	2613225-2	. BULKHEAD-RH OUTBD STA 158.00 .032 2024 T42			01
157	2613370-1	. BULKHEAD ASSY-LH OUTBD STA 151.10	0001	0127	01
			B0001	B0069	
- 158	2613404-11	. BULKHEAD ASSY-LH OUTBD STA 151.10	0128	& ON	01
			B0070	& ON	
159	2613370-5	. . ANGLE .032 2024 T42	0001	0127	01
			B0001	B0069	
160	2613370-2	. BULKHEAD ASSY-RH OUTBD STA 151.10	0001	0127	01
			B0001	B0069	
- 161	2613404-12	. BULKHEAD ASSY-RH OUTBD STA 151.10	0128	& ON	01
			B0070	& ON	
162	2613370-6	. . ANGLE .032 2024 T42	0001	0127	01
			B0001	B0069	
163	2613314-1	. BULKHEAD ASSY-CTR STA 143.00 FSO 2613314-4	0001	0198	NP
			B0001	B0246	
- 164	2613314-4	. BULKHEAD ASSY-CTR STA 143.00	0199	0395	01
			B0247	B1170	
- 164A	2613314-5	. BULKHEAD ASSY-CTR STA 143.00	0396	& ON	01
			B1171	& ON	
- 165	2613314-3	. . SUPPORT .040 2024 T42			01
166	2613404-13	. BULKHEAD ASSY-LH INBD FSO 2613404-23	0128	0198	NP
			B0070	B0246	
- 167	2613404-23	. BULKHEAD ASSY-LH INBD STA 151.10 .040 2024 T42	0199	& ON	01
			B0147	& ON	
- 168	2613404-14	. BULKHEAD ASSY-RH INBD FSO 2613404-24	0128	0198	NP
			B0070	B0246	
- 169	2613404-24	. BULKHEAD ASSY-RH INBD STA 151.10 .040 2024 T42	0199	& ON	01
			B0147	& ON	
- 170	MS21073L3	. . NUTPLATE	0128	& ON	01
			B0070	& ON	
- 171	MS35489-5	. . GROMMET	0128	& ON	01
			B0070	& ON	
172	2613408-3	. SUPPORT BRACKET ASSY-LH STA 151.10 1.00X3.50 2024 T351	0001	0069	01
			B0070	& ON	
- 173	2613408-4	. SUPPORT BRACKET ASSY-RH STA 151.10 1.00X3.50 2024 T351	0001	0069	01
			B0070	& ON	
174	2613408-1	. SUPPORT BRACKET ASSY-LH STA 143.00 1.00X3.50 2024 T351	0001	0069	01
			B0070	& ON	
- 175	2613408-2	. SUPPORT BRACKET ASSY-RH STA 143.00 1.00X3.50 2024 T351	0001	0069	01
			B0070	& ON	
- 176	NAS682A4	. . NUTPLATE	0001	0069	02
			B0070	& ON	
177	2613084-9	. BULKHEAD ASSY-LH INBD STA 143.00 .032 2024 T42	0001	0198	01
			B0001	B0246	
- 178	2613084-23	. BULKHEAD ASSY-LH INBD STA 143.00 .032 2024 T42	0199	& ON	01
			B0247	& ON	
179	2613084-10	. BULKHEAD ASSY-RH INBD STA 143.00 .032 2024 T42	0001	0246	01
			B0001	B0246	
- 180	2613084-6	. BULKHEAD ASSY-RH INBD STA 143.00 .032 2024 T42	0199	& ON	01
			B0247	& ON	
- 181	MS21073L3	. . NUTPLATE SEAT RAIL ATTACH			02
182	2613084-11	. BULKHEAD ASSY-LH STA 143.00 .032 2024 T42	0001	0089	01
- 183	2613084-21	. BULKHEAD ASSY-LH STA 143.00 .032 2024 T42	0090	0127	01
			B0001	B0069	
- 184	2613404-3	. BULKHEAD ASSY-LH STA 143.00 FSO 2613404-21	0128	0198	NP
			B0070	B0246	
- 185	2613404-21	. BULKHEAD ASSY-LH STA 143.00 .040 2024 T42	0199	& ON	01
			B0247	& ON	

- ITEM NOT ILLUSTRATED

CESSNA®
MODEL 208
ILLUSTRATED PARTS CATALOG

A24770



FOR AIRPLANES 208 20800001 THRU
20800127 AND 208B 208B0001 THRU
208B0069 REFER TO SK208-44 FOR
CREW STEP STRUCTURAL IMPROVEMENT.

26133004A

LOWER FORWARD FUSELAGE STRUCTURE
FIGURE 01 (SHEET 4)

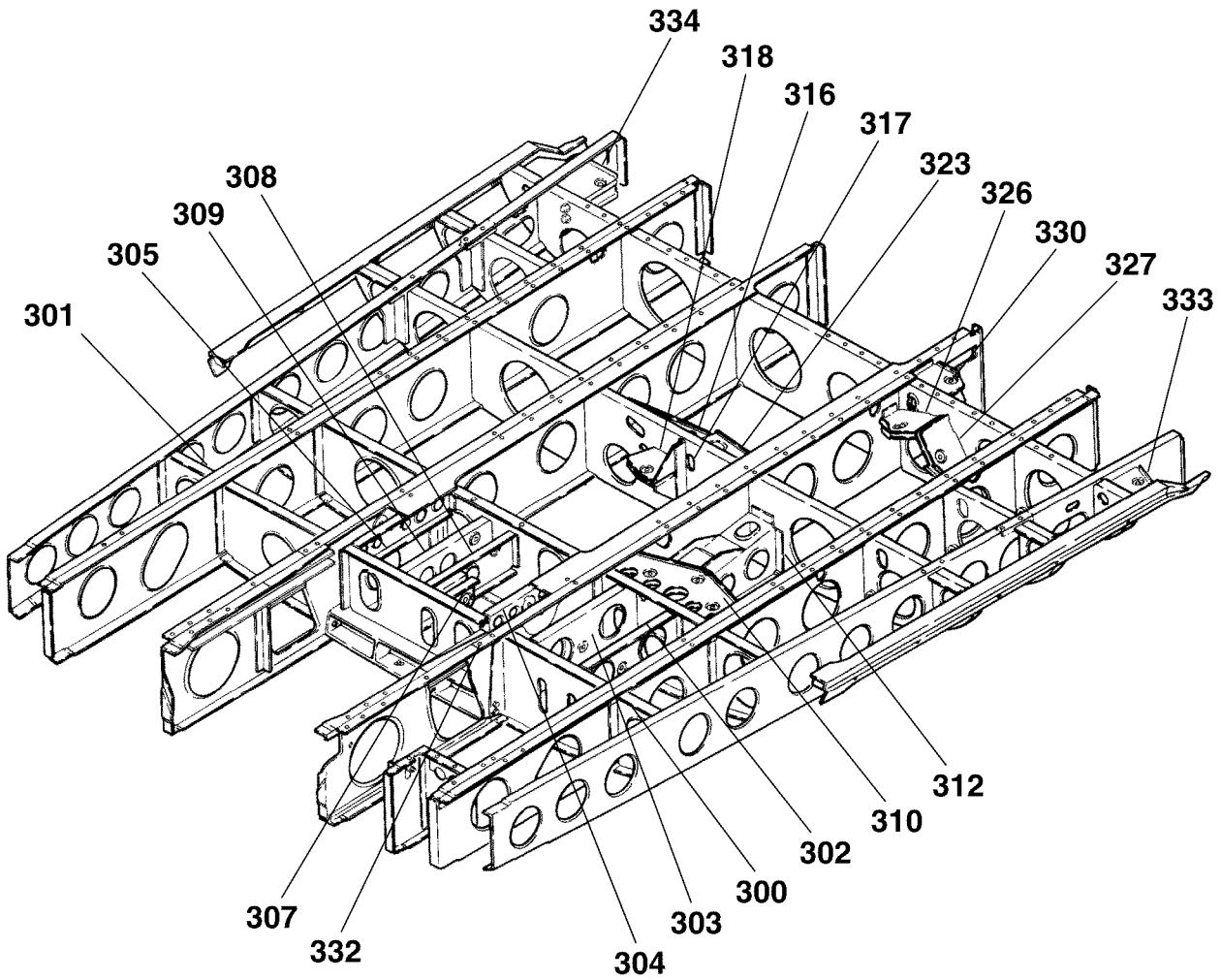
CESSNA®
MODEL 208
ILLUSTRATED PARTS CATALOG

FIG ITEM	PART NUMBER	1 2 3 4 5 6 7	NOMENCLATURE	UNITS PER ASSY		
01						
225	2613084-12	.	BULKHEAD ASSY-RH STA 143.00 .032 2024 T42	0001	0089	01
- 226	2613084-22	.	BULKHEAD ASSY-RH STA 143.00 .032 2024 T42	0090	0127	01
- 227	2613404-4	.	BULKHEAD ASSY-RH STA 143.00 FSO 2613404-22	B0001	B0069	01
- 228	2613404-22	.	BULKHEAD ASSY-RH STA 143.00 .032 2024 T42	0128	0198	01
- 229	MS21073L3	.	NUTPLATE SEAT RAIL ATTACH	B0070	B0246	01
- 230	MS35489-5	.	GROMMET	0199	& ON	01
231	2613084-13	.	BULKHEAD ASSY-LH OUTBD STA 143.00 .032 2024 T42	B0247	& ON	01
- 232	2613404-1	.	BULKHEAD ASSY-LH OUTBD STA 143.00	0090	& ON	01
233	2613370-5	.	ANGLE	B0001	& ON	01
234	2613084-14	.	BULKHEAD-RH OUTBD STA 143.00	0001	0127	01
- 235	2613404-2	.	BULKHEAD-RH OUTBD STA 143.00	B0001	B0069	01
236	2613370-6	.	ANGLE .032 2024 T42	0001	0127	01
237	2613085-6	.	BULKHEAD ASSY-CTR STA 128.00 .032 2024 T42	B0070	& ON	01
- 237A	2613085-11	.	BULKHEAD ASSY-CTR STA 128.00 .032 2024 T42	0128	& ON	01
- 238	MS21047L3	.	NUTPLATE	B0001	B0069	01
- 238A	MS21047L3	.	NUTPLATE	0001	0127	01
239	2613085-3	.	BULKHEAD-LH STA 128.00 .032 2024 T42	0001	0395	01
240	2613085-4	.	BULKHEAD-RH STA 128.00 .032 2024 T42	B0001	B1170	01
241	2613085-9	.	BULKHEAD-LH OUTBD STA 128.00 .032 2024 T42	0396	& ON	01
242	2613085-10	.	BULKHEAD-RH OUTBD STA 128.00 .032 2024 T42	B1171	& ON	01
- 243	MS35489-5	.	GROMMET	0001	0395	01
244	2613104-11	.	BULKHEAD ASSY-CTR STA 118.00	B0001	B1170	01
245	2643063-3	.	FITTING-NOSE GEAR SPRING SUPPORT	0396	& ON	01
246	MS21069L5	.	NUTPLATE	B1171	& ON	04
247	AN4-5A	.	BOLT	0396	& ON	08
- 248	NAS1149F0463P	.	WASHER	B1171	& ON	08
- 249	MS21044N4	.	NUT	0396	& ON	08
250	2613104-5	.	BULKHEAD ASSY-LH STA 118.00	0001	0139	NP
251	2613104-6	.	BULKHEAD ASSY-RH STA 118.00 FSO 2613104-20	B0001	B0054	01
- 252	2613104-20	.	BULKHEAD ASSY-RH STA 118.00	0140	& ON	01
- 253	2613104-7	.	ANGLE-ATTACH LH .040 2024 T42	B0055	& ON	01
- 254	2613104-8	.	ANGLE-ATTACH RH .040 2024 T42			01

- ITEM NOT ILLUSTRATED

CESSNA®
MODEL 208
ILLUSTRATED PARTS CATALOG

A24789



26133004A

LOWER FORWARD FUSELAGE STRUCTURE
FIGURE 01 (SHEET 5)

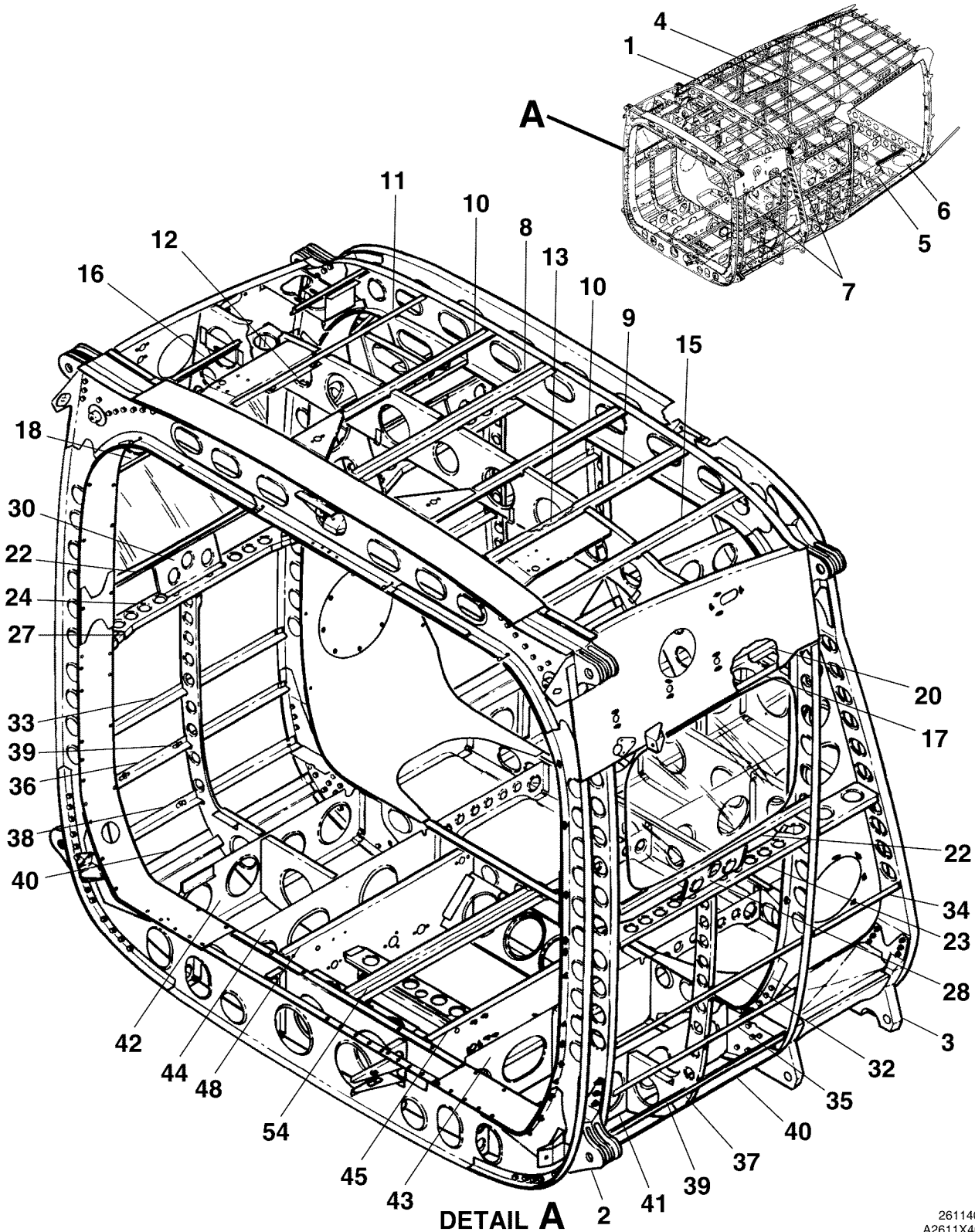
CESSNA®
MODEL 208
 ILLUSTRATED PARTS CATALOG

FIG ITEM	PART NUMBER	NOMENCLATURE	1 2 3 4 5 6 7							UNITS PER ASSY
			1	2	3	4	5	6	7	
01										
300	2613104-1	. BULKHEAD-LH OUTBD STA 118.00 .032 2024 T42								01
301	2613104-2	. BULKHEAD-RH OUTBD STA 118.00 .032 2024 T42								01
302	2613083-1	. PULLEY SUPPORT-LH .040 2024 T42								01
303	2613083-2	. PULLEY SUPPORT-RH .040 2024 T42								01
304	2613102-3	. SUPPORT ASSY-CONTROL COLUMN LH .040 2024 T3								01
305	2613102-4	. SUPPORT ASSY-CONTROL COLUMN RH .040 2024 T3								01
- 306	S2600-2-2-3	. . WASHER								01
307	2613320-1	. BRACKET-SPROCKET SUPPORT .040 2024 T42								01
308	2613174-3	. PULLEY SUPPORT-LH .040 2024 T42								01
309	2613174-4	. PULLEY SUPPORT-RH .040 2024 T42								01
310	2613318-1	. BRACKET-PULLEY .040 2024 T42								01
- 311	2613080-1	. SUPPORT-PULLEY								02
312	2613312-1	. SUPPORT ASSY-ELEVATOR BELLCRANK								01
- 313	2613103-3	. . SUPPORT-UPR .040 2024 T42								01
- 314	2613312-2	. . SUPPORT-LWR .040 2024 T42								01
- 315	MS21047L4K	. . NUTPLATE								01
316	2613261-1	. BRACKET-RUDDER PULLEY .040 2024 T42								01
317	2613310-1	. SUPPORT .040 2024 T42								01
318	2613308-1	. BRACKET-RUDDER PULLEY .040 2024 T42								01
		ATTACHING PARTS								
- 319	MS35207-262	. SCREW								01
- 320	NAS1149F0332P	. WASHER								01
- 321	MS21044N3	. NUT								01
		—*—								
- 322	2613308-2	. SUPPORT .032 2024 T42								01
323	2613309-1	. BRACKET ASSY-TRIM PULLEY .040 2024 T42								01
- 324	MS21047L5	. . NUTPLATE								01
- 325	2613257-2	. SUPPORT .032 2024 T42								01
326	2613311-2	. BRACKET-ELEVATOR PULLEY INBD .040 2024 T42								01
327	2613311-1	. BRACKET-ELEVATOR PULLEY OUTBD .040 2024 T42								01
		ATTACHING PARTS								
- 328	MS35207-262	. SCREW								01
		—*—								
- 329	2613080-1	. SUPPORT .032 2024 T42								02
330	2613258-1	. BRACKET-TRIM PULLEY .040 2024 T3								01
- 331	2613258-2	. SUPPORT .032 2024 T3								01
332	AN525-10R6	. SCREW								02
333	2613401-1	. BRACKET-AILERON PULLEY LH .040 2024 T42							B0001 & ON	01
334	2613402-2	. BRACKET ASSY-AILERON PULLEY RH .040 2024 T42							B0001 & ON	01
		ATTACHING PARTS								
- 335	MS27039-1	. SCREW								03
- 336	MS21042N3	. NUT								03
- 337	NAS1149F0332P	. WASHER								03
		—*—								
- 338	MS21069L4K	. . NUTPLATE								01

- ITEM NOT ILLUSTRATED

CESSNA®
MODEL 208
 ILLUSTRATED PARTS CATALOG

A24792



DETAIL A
 CENTER FUSELAGE STRUCTURE
 FIGURE 01 (SHEET 1)

26114004
 A2611X4004

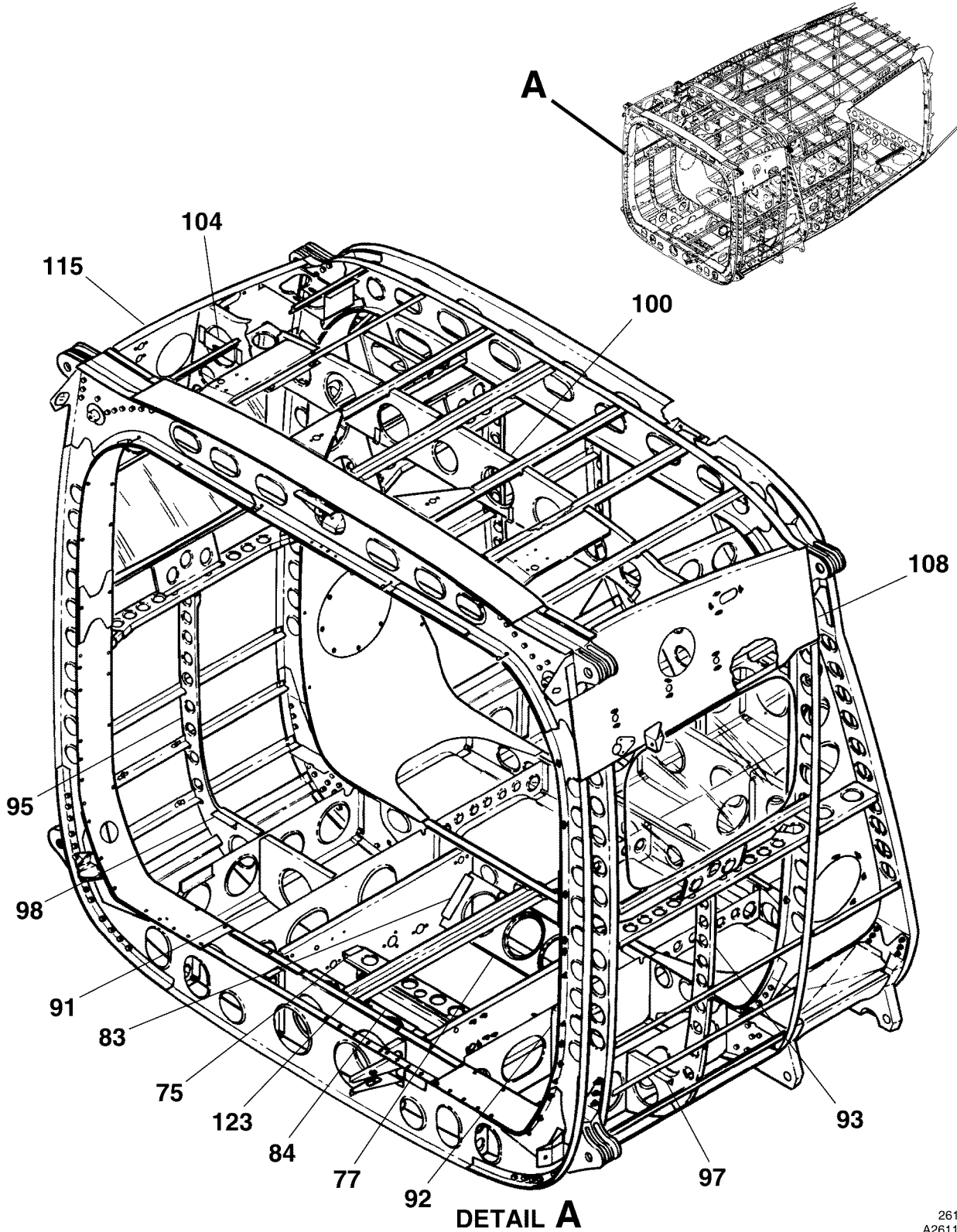
CESSNA®
MODEL 208
ILLUSTRATED PARTS CATALOG

FIG ITEM	PART NUMBER	NOMENCLATURE	UNITS	
			PER	ASSY
01		CENTER FUSELAGE STRUCTURE	0001	& ON RF
-		. CENTER FUSELAGE SKINS AND COMPONENTS REFER TO 53-30-01		RF
1		. FIGURE 01		RF
2		. FORWARD CARRY THRU STRUCTURE REFER TO 53-13-03 FIGURE 02		RF
3		. MAIN LANDING GEAR BULKHEAD STRUCTURE REFER TO 53-13-03		RF
		. FIGURE 04		
4		. UPPER CENTER FUSELAGE STRUCTURE REFER TO 53-13-00 FIGURE		RF
		. 01		
5		. LOWER CENTER FUSELAGE STRUCTURE REFER TO 53-13-01 FIGURE		RF
		. 01		
6		. CABIN FLOORBOARDS INSTALLATION REFER TO 53-21-00 FIGURE 01		RF
7		. WINDOW INSTALLATION REFER TO 56-20-00 FIGURE 01		RF
8	2611083-1	. STRINGER-UPR CTR S1128-1		01
9	2611083-2	. STRINGER-UPR LH S49-1		01
10	2611083-10	. STRINGER-LH S49-1		02
11	2611083-3	. STRINGER-UPR RH S49-1		01
12	2611105-4	. CHANNEL ASSY-RH .032 2024 T3		01
13	2611105-19	. CHANNEL ASSY-LH .032 2024 T3		01
- 14	NAS682A3 NUTPLATE		02
15	2611083-4	. STRINGER-UPR OUTBD LH S49-1		01
16	2611083-5	. STRINGER-UPR OUTBD RH S49-1		01
17	2611031-5	. CHANNEL ASSY-LH .050 2024 T42		01
18	2611031-6	. CHANNEL ASSY-RH .050 2024 T42		01
- 19	MS21047L08 NUTPLATE		03
20	2611104-1	. SPLICE-AFT LH .050 2024 T42		01
- 21	2611104-2	. SPLICE 1 LH FWD & 1 RH FWD .050 2024 T42		02
22	2611086-3	. STIFFENER S282		02
- 22A	2611086-5	. STIFFENER-LH CARGOMASTER	0208	& ON 01
- 22B	2611086-6	. STIFFENER-RH CARGOMASTER	0208	& ON 01
23	2611016-11	. CHANNEL ASSY-LH .040 2024 T42		01
24	2611016-12	. CHANNEL ASSY-RH .040 2024 T42		01
- 25	MS21047L08 NUTPLATE		02
- 26	2611096-1	. STIFFENER-LH FWD & RH AFT .040 2024 T42		02
27	2611096-2	. STIFFENER-LH AFT & RH FWD .040 2024 T42		02
28	2611159-9	. STIFFENER-LH W/O CARGO TIE DOWN .040 2024 T42		01
- 29	2611159-7	. STIFFENER-LH WITH CARGO TIE DOWN .040 2024 T42	0123	& ON 01
30	2611159-8	. STIFFENER-RH W/O CARGO TIE DOWN .040 2024 T42		01
- 31	2611159-6	. STIFFENER-RH WITH CARGO TIE DOWN .040 2024 T42	0123	& ON 01
32	2611083-6	. STRINGER-LH S1662-1		01
33	2611083-7	. STRINGER-RH S1662-1		01
34	2611084-10	. STRINGER S1662-1		02
35	2611083-13	. STRINGER-LH S1662-2		01
36	2611083-12	. STRINGER-RH S1662-2		01
37	2611129-1	. ATTACH ANGLE-LH .063 2024 T42		01
38	2611129-2	. ATTACH ANGLE-RH .063 2024 T42		01
39	MS21047L3 NUTPLATE-CUFF ATTACH		06
40	2611023-1	. STIFFENER .040 2024 T42		02
41	2611039-1	. LONGERON ASSY-LH BL 23.47		01
42	2611039-2	. LONGERON ASSY-RH BL 23.47		01
43	2611111-1	. LONGERON ASSY-LH BL 14.00		01
44	2611111-2	. LONGERON ASSY-RH BL 14.00		01
45	2611153-1	. LONGERON ASSY-LH BL 9.00 FSO 2611153-7	0001	0185 NP
- 46	2611153-7	. LONGERON ASSY-LH BL 9.00	0186	0198 01
- 47	2611220-1	. LONGERON ASSY-LH BL 9.00 FSO 2611220-5	0199	0329 NP
- 47A	2611220-5	. LONGERON ASSY-LH BL 9.00	0330	& ON 01
48	2611153-2	. LONGERON ASSY-RH BL 9.00	0001	0198 01
- 49	2611220-2	. LONGERON ASSY-RH BL 9.00 FSO 2611220-6	0199	0329 NP
- 49A	2611220-6	. LONGERON ASSY-RH BL 9.00	0330	0499 01
- 49B	2611220-9	. LONGERON ASSY-RH BL 9.00	0500	& ON 01
- 50	MS21073L3 NUTPLATE		02
- 51	MS21047L3 NUTPLATE-LH	0001	0198 28
- 51A	MS21047L3 NUTPLATE-LH	0199	0329 18
- 51B	MS21047L3 NUTPLATE-LH	0330	& ON 19
- 52	MS21047L3 NUTPLATE-RH	0001	0198 21
- 52A	MS21047L3 NUTPLATE-RH	0199	0329 12
- 52B	MS21047L3 NUTPLATE-RH	0330	& ON 13
- 53	MS21047L06 NUTPLATE-RH	0330	& ON 02
54	2611148-4	. STIFFENER ASSY-CTR		01
- 55	2611148-3 RUB STRIP .062 CORK		01

- ITEM NOT ILLUSTRATED

CESSNA®
MODEL 208
ILLUSTRATED PARTS CATALOG

A24793



DETAIL A
CENTER FUSELAGE STRUCTURE
FIGURE 01 (SHEET 2)

26114004
A2611X4004

CESSNA®
MODEL 208
ILLUSTRATED PARTS CATALOG

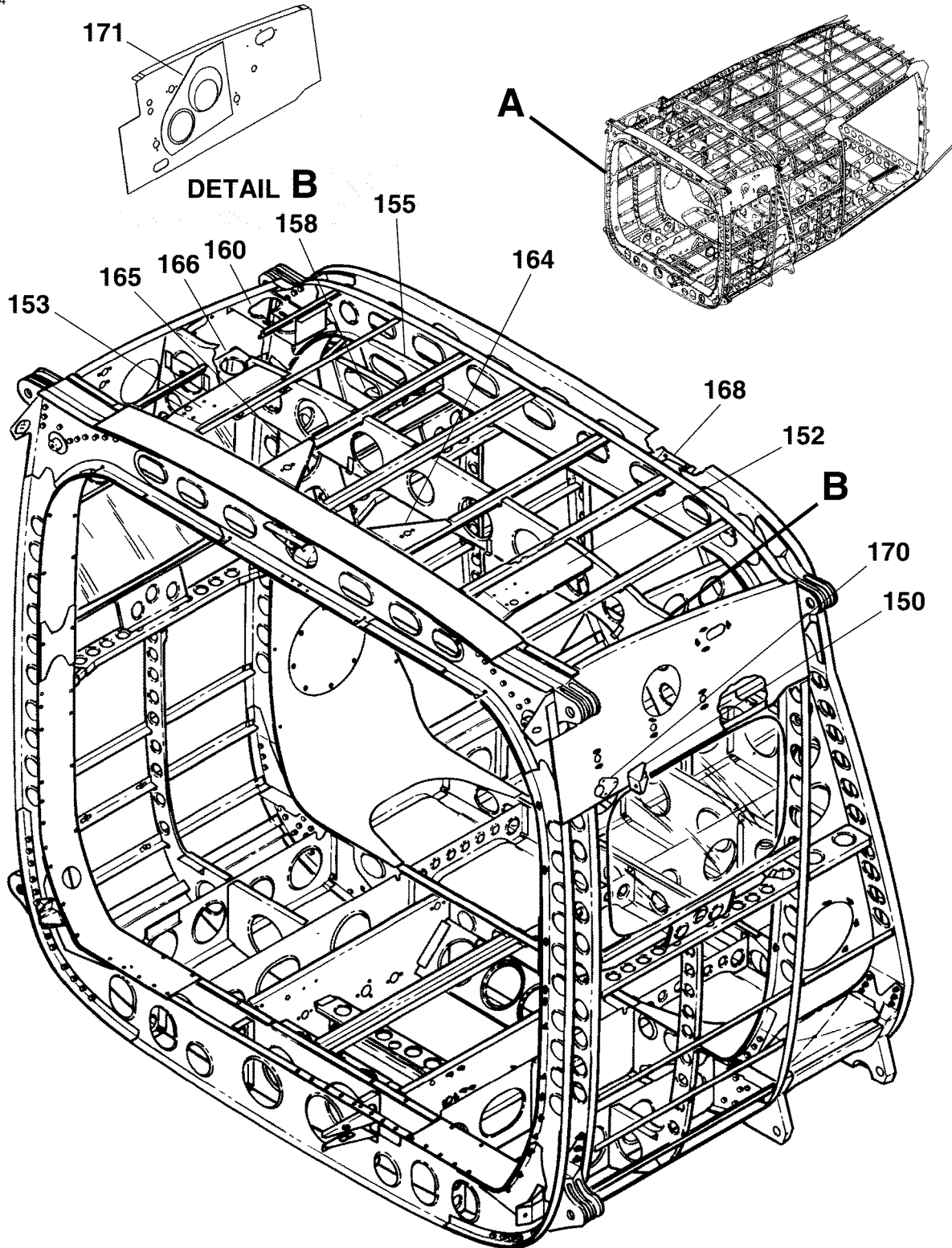
FIG ITEM	PART NUMBER	NOMENCLATURE	UNITS		
			1	2	3
01					
75	2611197-4	. ANGLE-ATTACH UPPER .032 2024 T3	0017	& ON	01
- 76	2611197-1	. ANGLE-ATTACH LOWER .032 2024 T3	0017	& ON	01
77	2611152-1	. SUPPORT ASSY-FUEL RESERVOIR AFT FSO 2611152-7	0001	0016	NP
- 78	2611152-7	. SUPPORT ASSY-FUEL RESERVOIR AFT	0017	0198	01
- 79	2611217-1	. SUPPORT ASSY-FUEL RESERVOIR AFT FSO 2611217-4	0199	0241	NP
- 79A	2611217-4	. SUPPORT ASSY-FUEL RESERVOIR AFT REFER TO NOTE 1	0242	& ON	01
		ATTACHING PARTS			
- 80	AN3-3A	. BOLT	0001	& ON	06
- 81	AN3-4A	. BOLT	0199	& ON	02
- 82	NAS1149F0463P	. WASHER	0199	& ON	02
- 82A	AN525-832R8	. SCREW			04
- 82B	NAS1149FN832P	. WASHER			04
		—*—			
83	2611197-3	. ANGLE-ATTACH .032 2024 T3	0017	0198	01
84	2611152-4	. SUPPORT ASSY-FUEL RESERVOIR FWD FSO 2611152-9	0001	0016	NP
- 85	2611152-9	. SUPPORT ASSY-FUEL RESERVOIR FWD	0017	0198	01
- 86	2611217-1	. SUPPORT ASSY-FUEL RESERVOIR FWD FSO 2611217-4	0199	0241	NP
- 86A	2611217-4	. SUPPORT ASSY-FUEL RESERVOIR FWD REFER TO NOTE 1	0242	& ON	01
		ATTACHING PARTS			
- 87	AN3-3A	. BOLT	0001	& ON	04
- 88	AN3-4A	. BOLT	0199	& ON	02
- 89	NAS1149F0463P	. WASHER	0199	& ON	02
- 89A	AN525-832R8	. SCREW			04
- 89B	NAS1149FN832P	. WASHER			04
		—*—			
- 90	2611197-2	. ANGLE-ATTACH .032 2024 T3	0017	& ON	01
91	2611019-1	. BULKHEAD-LWR RH STA 181.50 .040 2024 T3 FSO 2611019-19	0001	0332	NP
- 91A	2611019-19	. BULKHEAD-LWR RH STA 181.50 .040 2024 T3	0333	& ON	01
92	2611019-2	. BULKHEAD-LWR LH STA 181.50 .040 2024 T3			01
93	2611126-9	. BULKHEAD ASSY-LH STA 181.50 FSO 2611126-27	0001	0185	NP
- 94	2611126-27	. BULKHEAD ASSY-LH STA 181.50	0186	0198	01
95	2611126-10	. BULKHEAD ASSY-RH STA 181.50 FSO 2611126-28	0001	0185	NP
- 96	2611126-28	. BULKHEAD ASSY-RH STA 181.50	0186	0198	01
97	2611126-13	. CLIP-FLOORBOARD SUPPORT LH .040 2024 T3			01
98	2611126-14	. CLIP-FLOORBOARD SUPPORT RH .040 2024 T3			01
- 99	AN256-8	. NUTPLATE-PLENUM SUPPORT			02
100	2611022-3	. BULKHEAD ASSY-UPR STA 181.50 FSO 2611022-12	0001	0185	NP
- 101	2611022-11	. BULKHEAD ASSY-UPR STA 181.50 FSO 2611022-12	0186	0198	NP
- 102	2611022-12	. BULKHEAD ASSY-UPR STA 181.50	0199	0207	01
- 103	2611022-17	. BULKHEAD ASSY-UPR STA 181.50	0208	0395	01
- 103A	2611022-21	. BULKHEAD ASSY-UPR STA 181.50	0396	& ON	01
104	2613241-1	. BRACKET ASSY-FLAP CONTROL .100 2024 T42			01
- 105	MS21047L3	. NUTPLATE			01
- 106	2615029-1	. CLIP-HEADLINER FSO 2615030-4	0001	0198	NP
- 107	2615030-4	. HANGER-HEADLINER .059DIA 1090 STRAIGHT	0199	& ON	04
108	2611136-1	. ROOT RIB ASSY-LH FSO 2611221-1	0001	0130	NP
- 109	2611136-13	. ROOT RIB ASSY-LH FSO 2611221-1	0131	0201	NP
- 110	2611221-1	. ROOT RIB ASSY-LH .050 2024 T3	0202	& ON	01
- 111	2611136-17	. ROOT RIB ASSY-LH WITH AIR CONDITIONING FSO 2611221-5	0140	0201	NP
- 112	2611221-5	. ROOT RIB ASSY-LH WITH AIR CONDITIONING .050 2024 T3	0202	& ON	01
- 113	MS21047L3	. NUTPLATE			06
- 114	MS21069L3	. NUTPLATE			04
115	2611136-4	. ROOT RIB ASSY-RH FSO 2611221-2	0001	0130	NP
- 116	2611136-14	. ROOT RIB ASSY-RH FSO 2611221-2	0131	0201	NP
- 117	2611221-2	. ROOT RIB ASSY-RH .050 2024 T3	0202	& ON	01
- 118	2611136-18	. ROOT RIB ASSY-RH WITH AIR CONDITIONING FSO 2611221-6	0140	0201	NP
- 119	2611221-6	. ROOT RIB ASSY-RH WITH AIR CONDITIONING .050 2024 T3	0202	& ON	01
- 120	MS21047L3	. NUTPLATE			02
- 121	NAS682A3	. NUTPLATE			01
- 122	MS21069L3	. NUTPLATE			05
123	2611151-1	. SUPPORT ASSY-FUEL RESERVOIR FSO 2611151-4	0001	0016	NP
- 124	2611151-4	. SUPPORT ASSY-FUEL RESERVOIR	0017	0106	01
- 125	2611151-6	. SUPPORT ASSY-FUEL RESERVOIR	0107	0198	01
- 126	2611218-6	. SUPPORT ASSY-FUEL RESERVOIR	0199	& ON	01
		ATTACHING PARTS			
- 127	AN3-3A	. BOLT	0001	0198	08
- 128	AN4-5A	. BOLT	0199	& ON	08
- 129	NAS1149F0432P	. WASHER	0199	& ON	08
		—*—			
- 130	2611218-5	. RETAINER-WIRE SUPPORT			02

NOTE 1—AIRPLANES -0242 & ON AND AIRPLANES -0001 THRU -0241 INCORPORATING SK208-121.

- ITEM NOT ILLUSTRATED

CESSNA®
MODEL 208
ILLUSTRATED PARTS CATALOG

A24794



DETAIL A
CENTER FUSELAGE STRUCTURE
FIGURE 01 (SHEET 3)

26114004
A2611X4004
B2611T1011

CESSNA®
MODEL 208
ILLUSTRATED PARTS CATALOG

FIG ITEM	PART NUMBER	NOMENCLATURE	UNITS PER ASSY		
			1	2	3
01					
150	2620018-1	. BRACKET ASSY-LH FAIRING ATTACH			01
- 151	2620018-2	. BRACKET ASSY-RH FAIRING ATTACH			01
152	2670022-1	. DOUBLER ASSY-LH .032 2024 T42-FSO 2670033-3	0001	0386	NP
153	2670022-3	. DOUBLER ASSY-RH .032 2024 T42	0001	0386	01
- 153A	2670022-5	. DOUBLER ASSY LH & RH	0387	& ON	02
- 154	MS21047L3	. NUTPLATE			04
155	2611144-1	. SUPPORT ASSY-FLAP ACTUATOR REFER TO NOTE 2	0001	0395	01 R
- 155A	2691007-2	. SUPPORT ASSY-FLAP ACTUATOR REFER TO NOTE 1	0001	0370	01
- 155B	2611144-8	. SUPPORT ASSY-FLAP ACTUATOR	0396	& ON	01
- 156	2611144-7	. . SUPPORT-AFT .032 2024 T42 REFER TO NOTE 2	0001	0395	01 R
- 156A	2611144-11	. . SUPPORT-AFT .032 2024 T42	0396	& ON	01
- 157	2611144-6	. . SUPPORT-FWD .032 2024 T42 REFER TO NOTE 2	0001	0395	01 R
- 157A	2611144-10	. . SUPPORT-FWD .032 2024 T42	0396	& ON	01
158	2611144-3	. . BRACKET ASSY REFER TO NOTE 1			02
- 159	2611144-5	. . SUPPORT .050 2024 T3 REFER TO NOTE 2	0001	0395	01 R
- 159A	2611144-9	. . SUPPORT .050 2024 T3	0396	& ON	01
160	2611143-1	. SUPPORT ASSY FSO 2611209-3	0001	0150	NP
- 161	2611209-1	. SUPPORT ASSY .050 2024 T42 FSO 2611209-3	0151	0294	NP
- 161A	2611209-3	. SUPPORT ASSY	0295	& ON	01
- 162	MS21059L3	. NUTPLATE			02
- 163	NAS682A3	. NUTPLATE			01
164	2670023-1	. DOUBLER-LH .032 2024 T42			01
165	2670023-2	. DOUBLER-RH .032 2024 T42			01
166	2622240-1	. BRACKET ASSY-FLAP CONTACTOR			01
- 167	MS21047L3K	. NUTPLATE			02
168	2611189-1	. BRACKET ASSY-DOME LIGHT .040 2024 T42			01
- 169	S1648A06K75	. RIVNUT			04
170	2611194-1	. COVER PLATE-FUEL LINE .032 2024 T3			02
171	2601151-2	. DOUBLER WITH AIR CONDITONING .040 2024 T3	0140	& ON	02

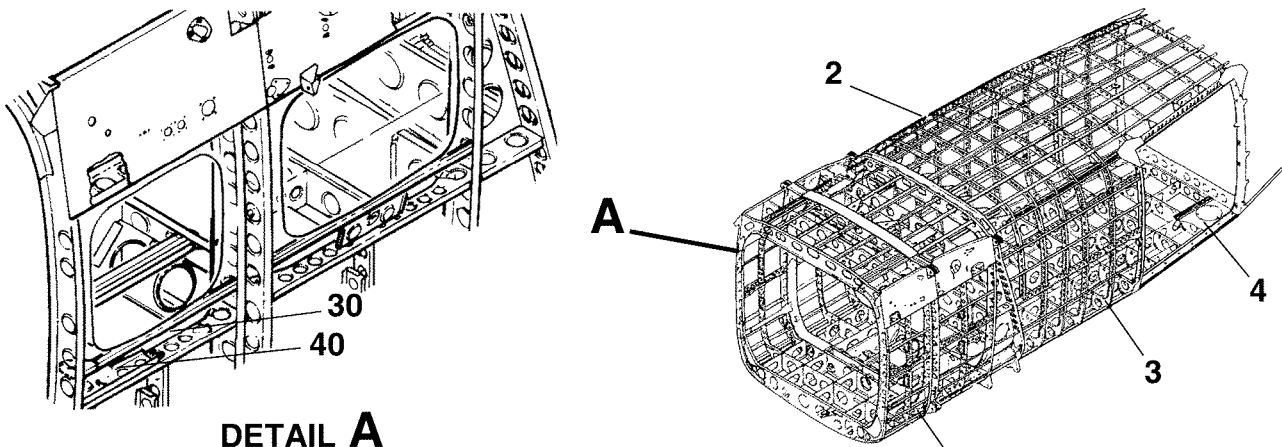
NOTE 1—AIRPLANES -0001 THRU -0370 INCORPORATING SK208-158.

NOTE 2—FOR SPARES USE SK208-158.

R

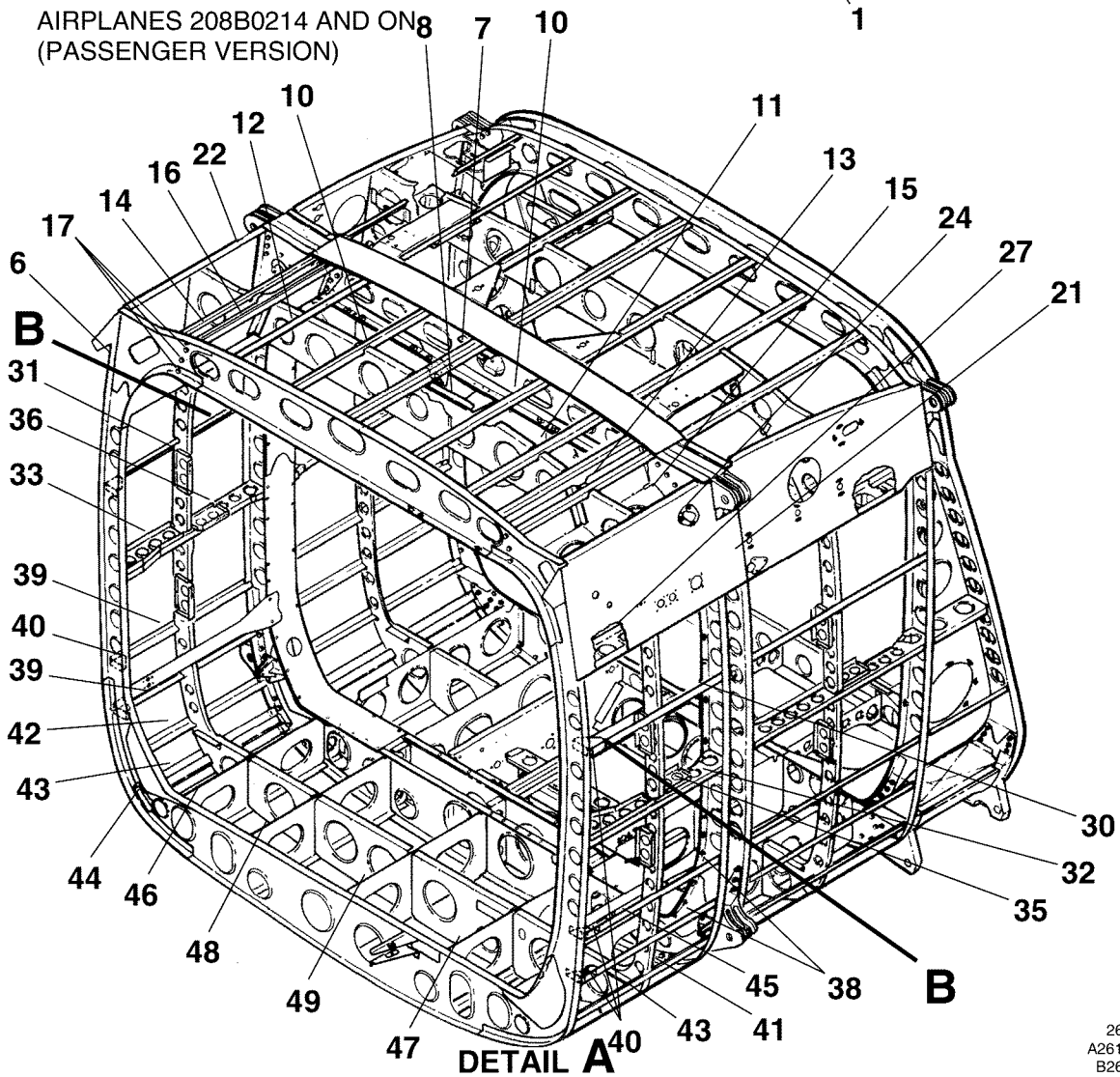
CESSNA®
MODEL 208
 ILLUSTRATED PARTS CATALOG

A24796



DETAIL A

AIRPLANES 208B0214 AND ON (PASSENGER VERSION)



DETAIL A
 CENTER FUSELAGE STRUCTURE
 FIGURE 02 (SHEET 1)

26114001
 A2611X4001
 B26112005

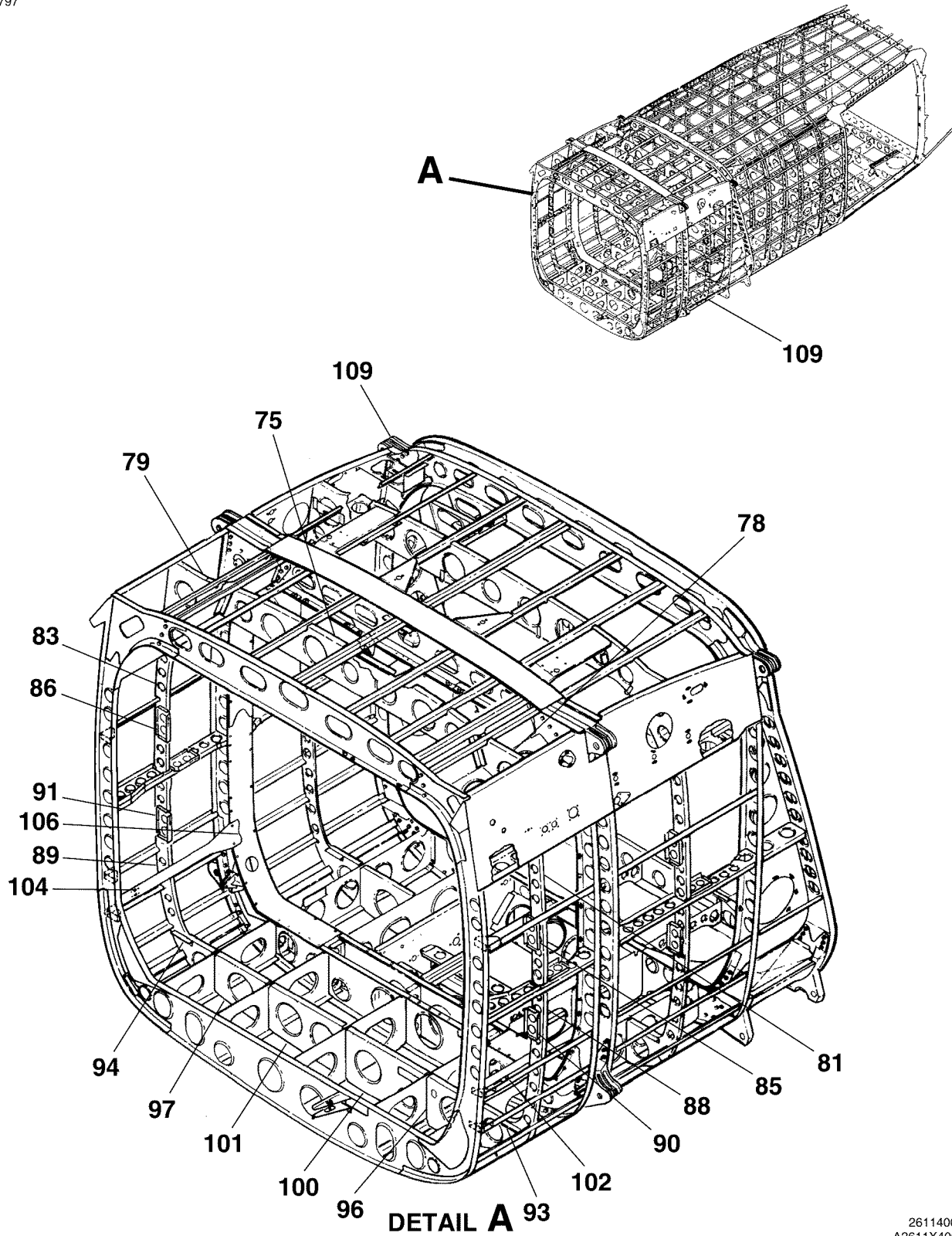
CESSNA®
MODEL 208
ILLUSTRATED PARTS CATALOG

FIG ITEM	PART NUMBER	NOMENCLATURE	UNITS	
			PER	ASSY
02		CENTER FUSELAGE STRUCTURE	B0001	& ON RF
-		CENTER FUSELAGE SKINS AND COMPONENTS REFER TO 53-30-01		RF
1		FIGURE 02		RF
2		UPPER CENTER FUSELAGE STRUCTURE REFER TO 53-13-00 FIGURE 02		RF
3		LOWER CENTER FUSELAGE STRUCTURE REFER TO 53-13-01 FIGURE 02		RF
4		CABIN FLOORBOARDS INSTALLATION REFER TO 53-21-00 FIGURE 02		RF
- 5		CABIN FLOORBOARDS INSTALLATION 208B PASSENGER VERSION REFER TO 53-21-00 FIGURE 03		RF
6		BULKHEAD ASSY STA 166.45 REFER TO 53-13-03 FIGURE 01		RF
7	2611084-12	STRINGER-CENTER UPR S1128-1		01
8	2660037-7	BRACKET ASSY-AILERON GUARD .050 2024 T42		01
- 9	MS21069L08	NUTPLATE		01
10	2611084-13	STRINGER-LH UPR S50		02
11	2611084-13	STRINGER-LH UPR S50		01
12	2611084-14	STRINGER-RH UPR S50		01
13	2611084-15	STRINGER-LH UPR OUTBD S50		01
14	2611084-16	STRINGER-RH UPR OUTBD S50		02
15	2611116-1	DOUBLER ASSY-LH UPR		01
16	2611116-2	DOUBLER ASSY-RH UPR		01
		ATTACHING PARTS		
17	AN3-5A	BOLT		04
- 18	NAS1149F0363P	WASHER		04
- 19	MS21043-3	NUT		04
		—*—		
- 20	MS21069L3	NUTPLATE		02
21	2611199-7	ROOT RIB ASSY-FWD LH	B0001	B1999 01
- 21A	2611235-1	ROOT RIB ASSY-FWD LH	B2000	B4999 01 R
- 21B	2611235-9	ROOT RIB ASSY-FWD LH	B5000	& ON 01 R
22	2611199-8	ROOT RIB ASSY-FWD RH	B0001	B1999 01
- 22A	2611235-2	ROOT RIB ASSY-FWD RH FSO 2611235-6	B2000	B2001 NP
- 22B	2611235-6	ROOT RIB ASSY-FWD RH	B2002	& ON 01
- 23	MS21047L3	NUTPLATE		04
24	F885000	CLOTH .062 FIBERGLASS COATED		01
- 25	2660046-1	RETAINER .050 2024 T3		01
- 26	AN3-4A	BOLT	B0001	B1999 03
- 26A	AN3-6A	BOLT	B2000	& ON 03
- 26B	2611199-5	ROOT RIB-LH	B0001	B1999 01
- 26C	2611235-3	ROOT RIB-LH	B2000	B4999 01 R
- 26D	2611235-11	ROOT RIB-LH	B5000	& ON 01 R
- 26E	2611199-6	ROOT RIB-RH	B0001	B1999 01
- 26F	2611235-4	ROOT RIB-RH FSO 2611235-8	B2000	B2001 NP
- 26G	2611235-8	ROOT RIB-RH	B2002	& ON 01
27	2611006-3	LONGERON ASSY-UPR LH STA 166.45 TO 186.45 .040 2024 T3		01
- 28	2611006-4	LONGERON ASSY-UPR RH STA 166.45 TO 186.45 .040 2024 T3		01
- 29	MS21047L08	NUTPLATE		02
30	2611086-13	STIFFENER-LH S1662-1		01
31	2611086-14	STIFFENER-RH S1662-1		01
32	2611005-11	LONGERON ASSY-LH LWR STA 166.45 TO 186.45 FSO 2611005-17	B0001	B0681 NP
- 32A	2611005-17	LONGERON ASSY-LH LWR STA 166.45 TO 186.45	B0682	& ON 01
33	2611005-12	LONGERON ASSY-RH LWR STA 166.45 TO 186.45 FSO 2611005-18	B0001	B0681 NP
- 33A	2611005-18	LONGERON ASSY-RH LWR STA 166.45 TO 186.45	B0682	& ON 01
- 34	MS21069-3	NUTPLATE		02
35	2615087-1	SUPPORT ASSY-GILLINER LH .032 2024 T42 FSO 2615087-4	B0001	B0681 NP
36	2615087-2	SUPPORT ASSY-GILLINER RH .032 2024 T42 FSO 2615087-4	B0001	B0681 NP
- 36A	2615087-4	SUPPORT ASSY-GILLINER LH & RH .032 2024 T42	B0682	& ON 02
- 37	MS21069L3	NUTPLATE		02
38	2611086-13	STIFFENER-LH S1662-1		02
39	2611086-14	STIFFENER-RH S1662-1		02
40	2611181-1	CLIP .032 2024 T3		06
41	2611129-3	ATTACH ANGLE-LH .063 2024 T42		01
42	2611129-4	ATTACH ANGLE-RH .063 2024 T42		01
43	2611023-4	STIFFENER .050 2024 T42		02
44	2611181-2	CLIP .063 2024 T42		02
45	2611003-1	LONGERON ASSY-LH OUTBD		01
46	2611003-2	LONGERON ASSY-RH OUTBD		01
47	2611003-13	LONGERON ASSY-LH		01
48	2611003-14	LONGERON ASSY-RH		01
49	2611003-15	LONGERON ASSY-CTR		01

- ITEM NOT ILLUSTRATED

CESSNA®
MODEL 208
ILLUSTRATED PARTS CATALOG

A24797



DETAIL A
CENTER FUSELAGE STRUCTURE
FIGURE 02 (SHEET 2)

26114001
A2611X4001

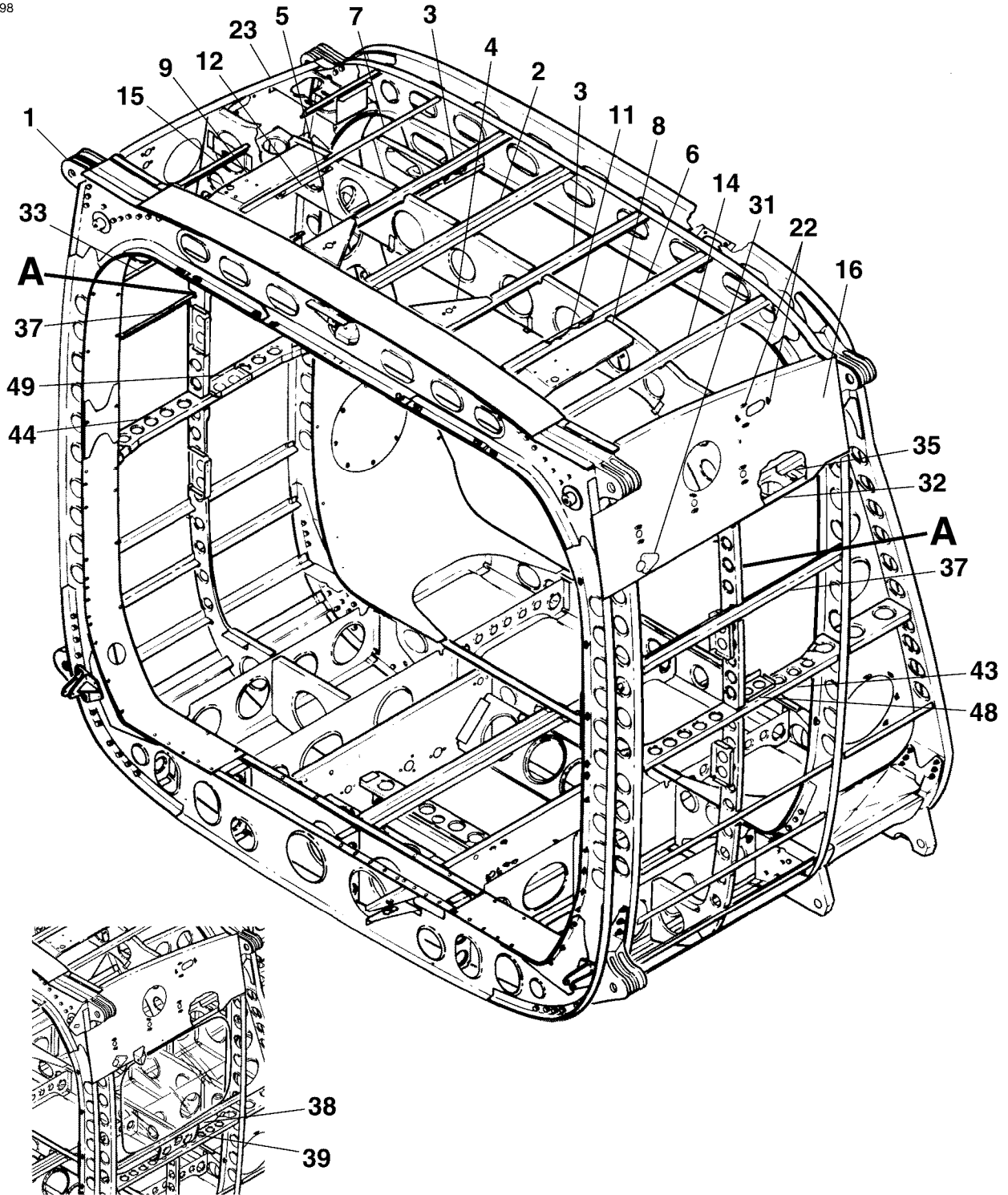
CESSNA®
MODEL 208
ILLUSTRATED PARTS CATALOG

FIG ITEM	PART NUMBER	NOMENCLATURE	UNITS PER ASSY		
			1	2	3
02					
75	2611022-4	. BULKHEAD ASSY-UPR STA 175.95 FSO 2611022-13	B0001	B0279	NP
- 76	2611022-13	. BULKHEAD ASSY-UPR STA 175.95 .032 2024 T42	B0280	& ON	01
- 77	MS21069L4	. . NUTPLATE CARGO BARRIER STRAP ATTACH			08
78	2611022-7	. BULKHEAD ASSY-UPR LH STA 175.95			01
79	2611022-8	. BULKHEAD ASSY-UPR RH STA 175.95			01
- 80	2615030-4	. HANGER .059DIA 1090 STRAIGHT			01
81	2611177-3	. BULKHEAD ASSY-LH STA 175.95 W/O CARGO TIE DOWN NOT APPLICABLE TO PASSENGER VERSION FSO FSO 2611177-3	B0001	B0681	NP
- 81A	2611177-13	. BULKHEAD ASSY-LH STA 175.95 W/O CARGO TIE DOWN NOT APPLICABLE TO PASSENGER VERSION	B0682	& ON	01
- 82	2601415-9	. BULKHEAD ASSY-LH STA 175.95 WITH CARGO TIE DOWN NOT APPLICABLE TO PASSENGER VERSION FSO 2601415-51	B0214	B0681	NP
- 82A	2601415-51	. BULKHEAD ASSY-LH STA 175.95 WITH CARGO TIE DOWN NOT APPLICABLE TO PASSENGER VERSION	B0682	& ON	01
83	2611177-4	. BULKHEAD ASSY-RH STA 175.95 W/O CARGO TIE DOWN NOT APPLICABLE TO PASSENGER VERSION FSO 2611177-14	B0214	B0681	NP
- 83A	2611177-14	. BULKHEAD ASSY-RH STA 175.95 W/O CARGO TIE DOWN NOT APPLICABLE TO PASSENGER VERSION	B0682	& ON	01
- 84	2601415-10	. BULKHEAD ASSY-RH STA 175.95 WITH CARGO TIE DOWN NOT APPLICABLE TO PASSENGER VERSION FSO 2601415-52	B0001	B0681	NP
- 84A	2601415-52	. BULKHEAD ASSY-RH STA 175.95 WITH CARGO TIEDOWN NOT APPLICABLE TO PASSENGER VERSION	B0682	& ON	01
85	2615087-1	. . SUPPORT ASSY-GILLINER LH .032 2024 T42 FSO 2615087-4	B0001	B0681	NP
86	2615087-2	. . SUPPORT ASSY-GILLINER RH .032 2024 T42 FSO 2615087-4	B0001	B0681	NP
- 86A	2615087-4	. . SUPPORT ASSY-GILLINER LH & RH .032 2024 T42	B0682	& ON	02
- 87	MS21069L3	. . NUTPLATE			02
88	2611126-19	. BULKHEAD ASSY-LH STA 175.95 FSO 2611126-33	B0001	B0681	NP
- 88A	2611126-33	. BULKHEAD ASSY-LH STA 175.95	B0682	& ON	01
89	2611126-20	. BULKHEAD ASSY-RH STA 175.95 FSO 2611126-34	B0001	B0681	NP
- 89A	2611126-34	. BULKHEAD ASSY-RH STA 175.95	B0682	& ON	01
90	2615087-1	. . SUPPORT ASSY-GILLINER LH .032 2024 T42 FSO 2615087-4	B0001	B0681	NP
91	2615087-2	. . SUPPORT ASSY-GILLINER RH .032 2024 T42 FSO 2615087-4	B0001	B0681	NP
- 91A	2615087-4	. . SUPPORT ASSY-GILLINER LH & RH .032 2024 T42	B0682	& ON	02
- 92	MS21069L3	. . NUTPLATE			02
93	2611126-13	. . CLIP-LH .040 2024 T3			01
94	2611126-14	. . CLIP-RH .040 2024 T3			01
- 95	AN525-8	. . NUTPLATE			02
96	2611019-15	. BULKHEAD-LWR LH STA 175.95 .040 2024 T3			01
97	2611019-12	. BULKHEAD-LWR RH STA 175.95 FSO 2611019-18	B0001	B0257	NP
- 98	2611019-16	. BULKHEAD-LWR RH STA 175.95 FSO 2611019-18	B0258	B0300	NP
- 99	2611019-18	. BULKHEAD-LWR RH STA 175.95 .040 2024 T3	B0301	& ON	01
100	2611029-7	. BULKHEAD-LWR LH STA 175.95 .040 2024 T3			01
101	2611029-8	. BULKHEAD-LWR RH STA 175.95 .040 2024 T3			01
102	2613334-19	. STRAP ASSY LH CARGO BARRIER FSO 2613334-41	B0001	B0345	NP
- 103	2613334-41	. STRAP ASSY LH CARGO BARRIER	B0346	& ON	01
104	2613334-20	. STRAP ASSY RH CARGO BARRIER FSO 2613334-42	B0001	B0345	NP
- 105	2613334-42	. STRAP ASSY RH CARGO BARRIER	B0346	& ON	01
		. ATTACHING PARTS			
106	AN525-10R8	. SCREW			05
- 106A	AN525-10R11	. SCREW			02
		. *			
- 107	MS21047L3	. . NUTPLATE			02
- 108	2613334-26	. SPACER BETWEEN STRAP & STA 166.45 BULKHD .071 2024 T3			02
109		. CENTER FUSELAGE STRUCTURE STA 186.45 REFER TO 53-12-00 FIGURE 03			RF

- ITEM NOT ILLUSTRATED

CESSNA®
MODEL 208
 ILLUSTRATED PARTS CATALOG

A24798



DETAIL A

AIRPLANES 208B0214 AND ON
 (PASSENGER VERSION)

CENTER FUSELAGE STRUCTURE - FS 186.45 TO FS 228.00
 FIGURE 03 (SHEET 1)

26113001
 A2611X4004

CESSNA®
MODEL 208
ILLUSTRATED PARTS CATALOG

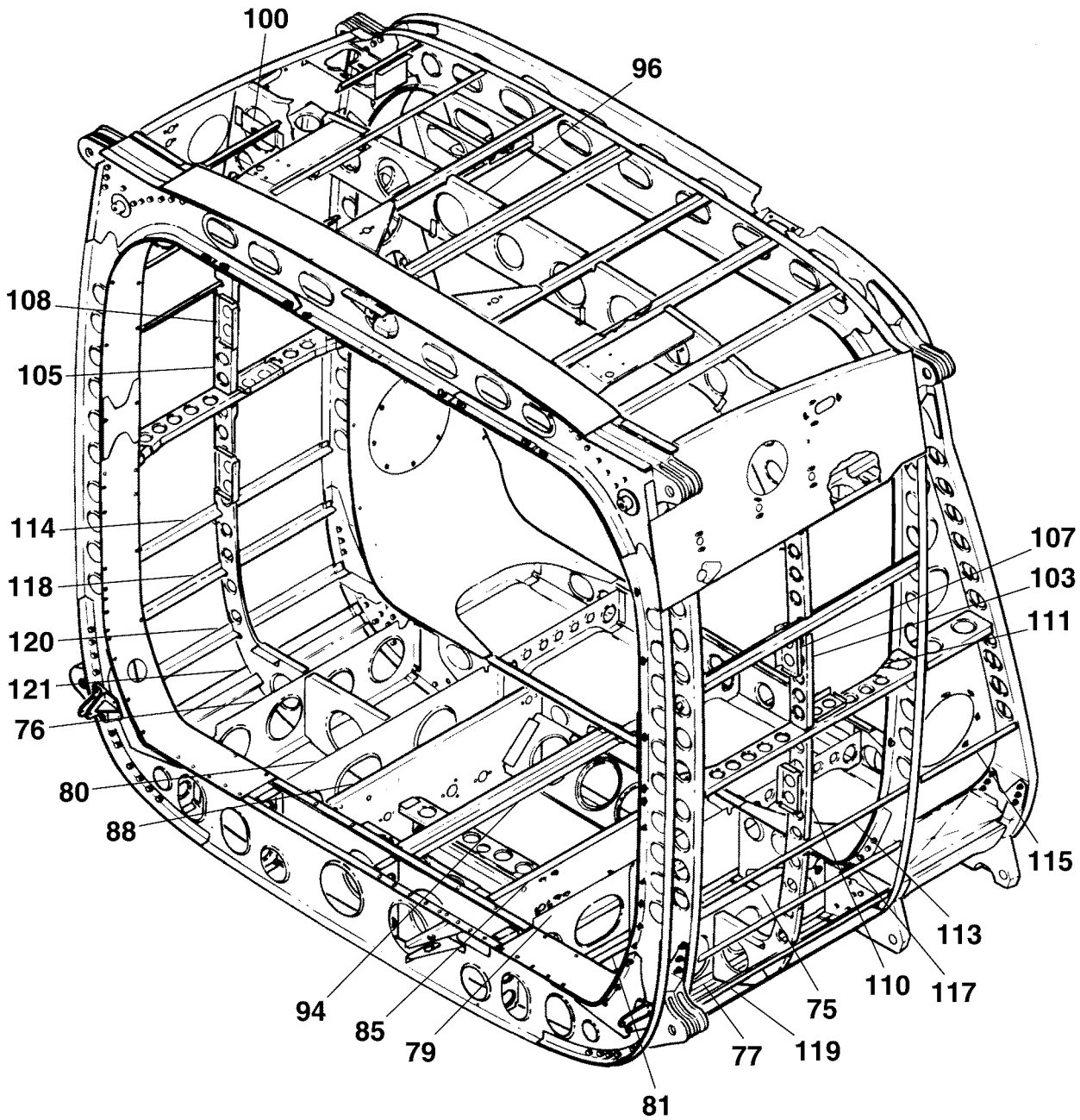
FIG ITEM	PART NUMBER	NOMENCLATURE	UNITS	
			PER	ASSY
03				
-		CENTER FUSELAGE STRUCTURE - FS 186.45 TO FS 228.00	B0001	& ON RF
1		. FORWARD CARRY THRU STRUCTURE REFER TO 53-13-03 FIGURE 02 . . .		RF
2	2611083-1	. STRINGER-UPR CTR S1128-1		01
3	2611083-10	. STRINGER-UPR S49-1		02
4	2670023-1	. DOUBLER-LH .032 2024 T42		01
5	2670023-2	. DOUBLER-RH .032 2024 T42		01
6	2611083-2	. STRINGER-UPR LH S49-1		01
7	2611083-3	. STRINGER-UPR RH S49-1		01
8	2670022-1	. DOUBLER ASSY-LH .032 2024 T42-FSO 267022-3	B0001	B1108 NP
9	2670022-3	. DOUBLER ASSY-RH .032 2024 T42	B0001	B1108 01
- 9A	2670022-5	. DOUBLER ASSY LH & RH	B0387	& ON 02
- 10	MS2947L3	. NUTPLATE		01
11	2611105-19	. CHANNEL ASSY-LH .032 2024 T3		01
12	2611105-4	. CHANNEL ASSY-RH .032 2024 T3		01
- 13	NAS682A3	. NUTPLATE		02
14	2611083-4	. STRINGER-UPR OUTBD LH S49-1		01
15	2611083-5	. STRINGER-UPR OUTBD RH S49-1		01
16	2611136-1	. ROOT RIB ASSY-LH FSO 2611136-13	B0001	B0089 NP
- 17	2611136-13	. ROOT RIB ASSY-LH .050 2024 T3	B0090	B0257 01
- 18	2611221-1	. ROOT RIB ASSY-LH .050 2024 T3	B0258	& ON 01
- 19	2611136-17	. ROOT RIB ASSY-LH WITH AIR COND FSO 2611221-5	B0214	B0257 NP
- 20	2611221-5	. ROOT RIB ASSY-LH WITH AIR COND .050 2024 T3	B0258	& ON 01
- 21	MS21047L3	. NUTPLATE		06
22	MS21069L3	. NUTPLATE		04
23	2611136-4	. ROOT RIB ASSY-RH FSO 2611136-14	B0001	B0089 NP
- 24	2611136-14	. ROOT RIB ASSY-RH .050 2024 T3	B0090	B0257 01
- 25	2611221-2	. ROOT RIB ASSY-RH .050 2024 T3	B0258	& ON 01
- 26	2611136-18	. ROOT RIB ASSY-RH WITH AIR COND FSO 2611221-6	B0214	B0257 NP
- 27	2611221-6	. ROOT RIB ASSY-RH WITH AIR COND .050 2024 T3	B0258	& ON 01
- 28	MS21047L3	. NUTPLATE		02
- 29	NAS682A3	. NUTPLATE		01
- 30	MS21069L3	. NUTPLATE		05
31	2611194-1	. COVER PLATE-FUEL LINE .032 2024 T3		02
32	2611031-5	. CHANNEL ASSY-LH .050 2024 T42		01
33	2611031-6	. CHANNEL ASSY-RH .050 2024 T42		01
- 34	MS21047L08	. NUTPLATE		03
35	2611104-1	. SPLICE-AFT LH .050 2024 T42		01
- 36	2611104-2	. SPLICE 1 LH FWD & 1 RH FWD .050 2024 T42		02
37	2611086-7	. STIFFENER N/A PASSENGER VERSION S282		02
38	2611086-3	. STIFFENER PASSENGER VERSION S282	B0214	& ON 02
39	2611159-9	. STIFFENER-LH W/O CARGO TIE DOWN PASSENGER VERSION .040 2024 T42	B0214	& ON 01
- 40	2611159-7	. STIFFENER-LH WITH CARGO TIE DOWN PASSENGER VERSION .040 2024 T42	B0214	& ON 01
- 41	2611159-8	. STIFFENER-RH W/O CARGO TIE DOWN PASSENGER VERSION .040 2024 T42	B0214	& ON 01
- 42	2611159-6	. STIFFENER-RH WITH CARGO TIE DOWN PASSENGER VERSION .040 2024 T42	B0214	& ON 01
43	2611016-7	. CHANNEL ASSY-LH NOT APPLICABLE TO PASSENGER VERSION FSO 2611016-15	B0001	B0681 NP
- 43A	2611016-15	. CHANNEL ASSY-LH NOT APPLICABLE TO PASSENGER VERSION	B0001	B0681 01
44	2611016-8	. CHANNEL ASSY-RH NOT APPLICABLE TO PASSENGER VERSION FSO 2611016-16	B0001	B0681 NP
- 44A	2611016-16	. CHANNEL ASSY-RH NOT APPLICABLE TO PASSENGER VERSION	B0001	B0681 01
- 45	2611016-11	. CHANNEL ASSY-LH PASS VERSION .040 2024 T42	B0214	& ON 01
- 46	2611016-12	. CHANNEL ASSY-RH PASS VERSION .040 2024 T42	B0214	& ON 01
- 47	MS2147L08	. NUTPLATE		02
48	2615087-1	. SUPPORT ASSY-GILLINER LH NOT APPLICABLE TO PASSENGER VERSION .032 2024 T42 FSO 2615087-4	B0001	B0681 NP
49	2615087-2	. SUPPORT ASSY-GILLINER RH NOT APPLICABLE TO PASSENGER VERSION .032 2024 T42 FSO 2615087-4	B0001	B0681 NP
- 50	2615087-4	. SUPPORT ASSY-GILLINER RH NOT APPLICABLE TO PASSENGER VERSION .032 2024 T42	B0682	& ON 01
- 51	MS21069L3	. NUTPLATE		02
- 52	2601525-1	. DOUBLER-TKS LH FUSELAGE	B2000	& ON 01
- 53	2601525-2	. DOUBLER-TKS RH FUSELAGE	B2000	& ON 01
- 54	2601524-5	. REAR ATTACH CLIP-TKS REFER TO NOTE 1	B2002	& ON 02
- 55	2601524-6	. FRONT ATTACH CLIP-TKS REFER TO NOTE 1	B2000	& ON 02
- 56	2601524-7	. INTERNAL ATTACH CLIP-TKS REFER TO NOTE 1	B2000	B2001 02
- 57	2601524-8	. INTERNAL ATTACH CLIP-TKS REFER TO NOTE 1	B2000	B2001 02
- 58	2601524-9	. INTERNAL ATTACH CLIP-TKS REFER TO NOTE 1	B2002	& ON 02
- 59	2601524-10	. INTERNAL ATTACH CLIP-TKS REFER TO NOTE 1	B2002	& ON 02

NOTE 1—THIS PART WAS INSTALLED WITH TKS SYSTEMS ON PRODUCTION AIRCRAFT AND IS ALSO AFFECTED BY ONE OR MORE OF THE FOLLOWING SERVICE BULLETINS OR KITS: SK208-174, SK208-175, SK208-179, SK208-180, CAB09-9, AND CAB08-7. PLEASE REFER TO THE SPECIFIC CAB OR SERVICE KIT FOR SERIAL SPECIFIC ORDERING INFORMATION.

- ITEM NOT ILLUSTRATED

CESSNA®
MODEL 208
ILLUSTRATED PARTS CATALOG

A24800



26113001

CENTER FUSELAGE STRUCTURE - FS 186.45 TO FS 228.00
FIGURE 03 (SHEET 2)

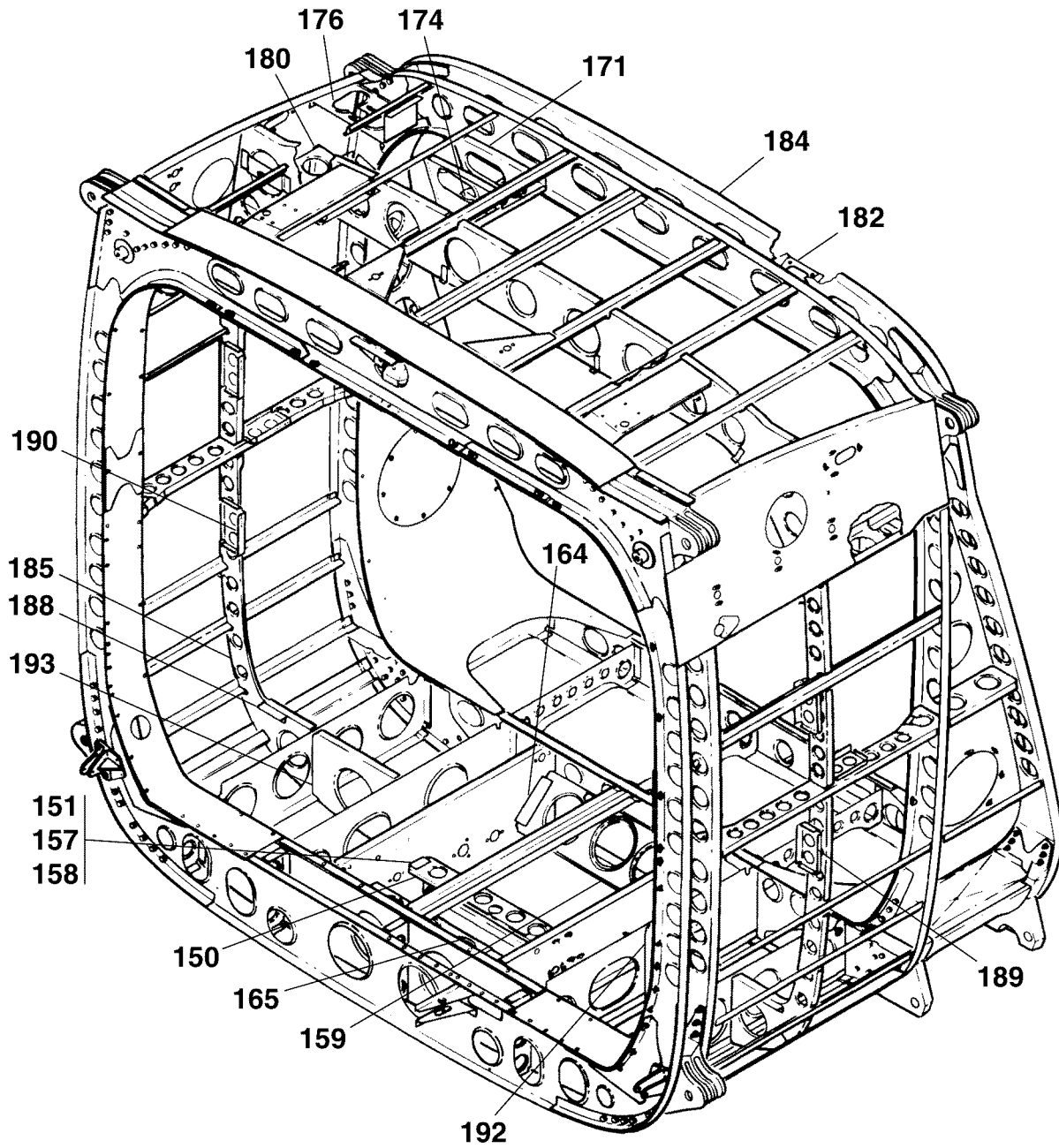
CESSNA®
MODEL 208
ILLUSTRATED PARTS CATALOG

FIG ITEM	PART NUMBER	NOMENCLATURE	UNITS		
			PER ASSY		
		1 2 3 4 5 6 7			
03					
75	2611039-13	. LONGERON ASSY-LH BL 23.47			01
76	2611039-12	. LONGERON ASSY-RH BL 23.47			01
77	2611039-17	. ATTACH ANGLE-LH .100 2024 T42			01
- 78	2611039-16	. ATTACH ANGLE-RH .100 2024 T42			01
79	2611111-7	. LONGERON ASSY-LH BL 14.00			01
80	2611111-8	. LONGERON ASSY-RH BL 14.00			01
81	2611111-11	. ATTACH ANGLE-LH .100 2024 T42			01
- 82	2611111-12	. ATTACH ANGLE-RH .100 2024 T42			01
- 83	MS21086L4	. NUTPLATE MLG BAY STIFFENER ATTACH			02
- 84	MS21069L4	. NUTPLATE MLG BAY STIFFENER ATTACH			04
85	2611153-1	. LONGERON ASSY-LH BL 9.00 FSO 2611153-7	B0001	B0214	NP
- 86	2611153-7	. LONGERON ASSY-LH BL 9.00	B0215	B0241	01
- 87	2611220-1	. LONGERON ASSY-LH BL 9.00 FSO 2611220-5	B0242	B0583	NP
- 87A	2611220-5	. LONGERON ASSY-LH BL 9.00	B0854	& ON	01
88	2611153-2	. LONGERON ASSY-RH BL 9.00	B0001	B0241	01
- 89	2611220-2	. LONGERON ASSY-RH BL 9.00 FSO 2611220-6	B0242	B0853	NP
- 89A	2611220-6	. LONGERON ASSY-RH BL 9.00	B0854	B1999	01
- 89B	2611220-9	. LONGERON ASSY-RH BL 9.00	B2000	& ON	01
- 90	MS21073L3	. NUTPLATE			02
- 91	MS21047L3	. NUTPLATE-LH	B0001	B0241	28
- 91A	MS21047L3	. NUTPLATE-LH	B0242	B0853	18
- 91B	MS21047L3	. NUTPLATE-LH	B0854	& ON	19
- 92	MS21047L3	. NUTPLATE-RH	B0001	B0241	21
- 92A	MS21047L3	. NUTPLATE-RH	B0242	B0853	12
- 92B	MS21047L3	. NUTPLATE-RH	B0854	& ON	13
- 93	MS21047L06	. NUTPLATE-RH	B0854	& ON	02
94	2611148-4	. STIFFENER ASSY-CTR			01
- 95	2611148-3	. RUB STRIP .062 CORK			01
96	2611022-3	. BULKHEAD ASSY-UPR STA 201.50 FSO 2611022-14	B0001	B0214	NP
- 97	2611022-11	. BULKHEAD ASSY-UPR STA 201.50 FSO 2611022-14	B0215	B0241	NP
- 98	2611022-12	. BULKHEAD ASSY-UPR STA 201.50 FSO 2611022-14	B0242	B0279	NP
- 99	2611022-14	. BULKHEAD ASSY-UPR STA 201.50	B0280	B1168	01
- 99A	2611022-19	. BULKHEAD ASSY-UPR STA 201.50	B1169	& ON	01
100	2613241-1	. BRACKET ASSY-FLAP CONTROL .050 2024 T42			01
- 101	MS21047L3	. NUTPLATE			01
- 102	2615030-4	. CLIP .059DIA 1090 STRAIGHT			04
103	2611177-3	. BULKHEAD ASSY-UPR LH STA 201.50 W/O TIE DOWN NOT APPLICABLE TO PASSENGER VERSION FSO 2611177-13	B0001	B0681	NP
- 103A	2611177-13	. BULKHEAD ASSY-UPR LH STA 201.50 W/O TIE DOWN NOT APPLICABLE TO PASSENGER VERSION	B0682	& ON	01
- 104	2601247-101	. BULKHEAD ASSY-UPR LH STA 201.50 WITH CARGO TIE DOWN NOT APPLICABLE TO PASSENGER VERSION FSO 2601247-115	B0214	& ON	NP
- 104A	2601247-115	. BULKHEAD ASSY-UPR LH STA 201.50 WITH CARGO TIE DOWN NOT APPLICABLE TO PASSENGER VERSION	B0682	& ON	01
105	2611177-4	. BULKHEAD ASSY-UPR RH STA 201.50 WITH CARGO TIE DOWN NOT APPLICABLE TO PASSENGER VERSION FSO 2611177-14	B0001	B0681	NP
- 105A	2611177-14	. BULKHEAD ASSY-UPR RH STA 201.50 WITH CARGO TIE DOWN NOT APPLICABLE TO PASSENGER VERSION	B0682	& ON	01
- 106	2601247-102	. BULKHEAD ASSY-UPR RH STA 201.50 WITH CARGO TIE DOWN NOT APPLICABLE TO PASSENGER VERSION FSO 2601247-116	B0214	B0681	NP
- 106A	2601247-114	. BULKHEAD ASSY-UPR RH STA 201.50 WITH CARGO TIE DOWN NOT APPLICABLE TO PASSENGER VERSION	B0682	& ON	01
107	2615087-1	. SUPPORT ASSY-GILLINER LH .032 2024 T42 FSO 2615087-4	B0001	B0681	NP
108	2615087-2	. SUPPORT ASSY-GILLINER RH .032 2024 T42 FSO 2615087-4	B0001	B0681	NP
- 108A	2615087-4	. SUPPORT ASSY-GILLINER LH & RH .032 2024 T42	B0682	& ON	02
- 109	MS21069L3	. NUTPLATE			02
110	2611126-17	. BULKHEAD ASSY-LWR LH STA 201.50 NOT APPLICABLE TO PASSENGER VERSION FSO 2611126-31	B0001	B0681	NP
- 110A	2611126-31	. BULKHEAD ASSY-LWR LH STA 201.50 NOT APPLICABLE TO PASSENGER VERSION	B0682	& ON	01
111	2611096-2	. STIFFENER-LH AFT & RH FWD .040 2024 T42			02
- 112	2611096-1	. STIFFENER-LH FWD & RH AFT .040 2024 T42			02
113	2611083-15	. STRINGER-LH S1662-2			01
114	2611083-7	. STRINGER-RH S1662-1			01
115	2611084-10	. STRINGER-LH S1662-1			01
- 116	2611084-11	. STRINGER-RH S1662-1			01
117	2611083-13	. STRINGER-LH S1662-2			01
118	2611083-12	. STRINGER-RH S1662-2			01
119	2611129-1	. ATTACH ANGLE-LH .063 2024 T42			01
120	2611129-2	. ATTACH ANGLE-RH .063 2024 T42			01
121	2611023-1	. STIFFENER .040 2024 T42			02

- ITEM NOT ILLUSTRATED

CESSNA®
MODEL 208
ILLUSTRATED PARTS CATALOG

A24802



CENTER FUSELAGE STRUCTURE - FS 186.45 TO FS 228.00
FIGURE 03 (SHEET 3)

26113001

CESSNA®
MODEL 208
ILLUSTRATED PARTS CATALOG

FIG ITEM	PART NUMBER	NOMENCLATURE	UNITS PER ASSY		
			1	2	3
03					
150	2611151-6	SUPPORT ASSY-FUEL RESERVOIR			01
151	2611218-6	SUPPORT ASSY-FUEL RESERVOIR			01
- 152	AN3-3A	BOLT-SUPPORT ASSY ATTACH			08
- 153	AN4-5A	BOLT-SUPPORT ASSY ATTACH	B0242	& ON	02
- 154	NAS1149F0432P	WASHER-SUPPORT ASSY ATTACH	B0242	& ON	02
- 155	MS21047L3	NUTPLATE			05
- 156	2611218-5	RETAINER-WIRE SUPPORT			02
157	2611228-1	STIFFENER ASSY FSO 2611228-7	0242	0294	NP
			B0432	B0720	
- 157A	MS21069L08	NUTPLATE			04
158	2611228-7	STIFFENER ASSY	0295	& ON	01
			B0721	& ON	
- 158A	MS21069L08	NUTPLATE			04
159	2611152-7	SUPPORT ASSY-FUEL RESERVOIR AFT	B0001	B0241	01
- 160	2611217-1	SUPPORT ASSY-FUEL RESERVOIR AFT FSO 2611217-4	B0242	B0431	NP
- 160A	2611217-4	SUPPORT ASSY-FUEL RESERVOIR AFT REFER TO NOTE 1	B0432	& ON	01
- 161	AN3-3A	BOLT-SUPPORT ASSY ATTACH			06
- 162	AN4-4A	BOLT-SUPPORT ASSY ATTACH	B0242	& ON	02
- 163	NAS1149F0463P	WASHER-SUPPORT ASSY ATTACH	B0242	& ON	02
- 163A	AN525-832R8	SCREW-SUPPORT ASSY ATTACH			04
- 163B	NAS1149FN832P	WASHER-SUPPORT ASSY ATTACH			04
164	2611197-3	ANGLE-ATTACH .032 2024 T3			01
165	2611152-9	SUPPORT ASSY-FUEL RESERVOIR FWD	B0001	B0241	01
- 166	2611217-1	SUPPORT ASSY-FUEL RESERVOIR AFT FSO 2611217-4	B0242	B0431	NP
- 166A	2611217-4	SUPPORT ASSY-FUEL RESERVOIR FWD REFER TO NOTE 1	B0432	& ON	01
- 167	AN3-3A	BOLT-SUPPORT ASSY ATTACH			04
- 168	AN4-4A	BOLT-SUPPORT ASSY ATTACH	B0242	& ON	02
- 169	NAS1149F0463P	WASHER-SUPPORT ASSY ATTACH	B0242	& ON	02
- 169A	AN525-832R8	SCREW-SUPPORT ASSY ATTACH			04
- 169B	NAS1149FN832P	WASHER-SUPPORT ASSY ATTACH			04
- 170	2611197-2	ANGLE-ATTACH .032 2024 T3			01
171	2611144-1	SUPPORT ASSY-FLAP ACTUATOR REFER TO NOTE 3	B0001	B1168	01 R
- 171A	2691007-2	SUPPORT ASSY-FLAP ACTUATOR REFER TO NOTE 2	B0001	B1038	01
- 171B	2611144-8	SUPPORT ASSY-FLAP ACTUATOR	B1169	& ON	01
- 172	2611144-7	SUPPORT-AFT .032 2024 T42 REFER TO NOTE 3	B0001	B1168	01 R
- 172A	2611144-11	SUPPORT-AFT .032 2024 T42	B1169	& ON	01
- 173	2611144-6	SUPPORT-FWD .032 2024 T42 REFER TO NOTE 3	B0001	B1168	01 R
- 173A	2611144-10	SUPPORT-FWD .032 2024 T42	B1169	& ON	01
174	2611144-3	BRACKET ASSY			02
- 175	2611144-5	SUPPORT .050 2024 T3 REFER TO NOTE 3	B0001	B1168	01 R
- 175A	2611144-9	SUPPORT .050 2024 T3	B1169	& ON	01
176	2611143-1	SUPPORT ASSY FSO 2611209-3	B0001	B0168	NP
- 177	2611209-1	SUPPORT ASSY .050 2024 T4 FSO 2611209-3	B0169	B0718	NP
- 177A	2611209-3	SUPPORT ASSY .050 2024 T4	B0719	& ON	01
- 178	MS21059L3	NUTPLATE			02
- 179	NAS682A3	NUTPLATE			01
180	2622240-1	BRACKET ASSY-FLAP CONTACTOR .032 2024 T42			01
- 181	MS21047L3K	NUTPLATE			02
182	2611189-1	BRACKET ASSY-DOME LIGHT .040 2024 T42			01
- 183	S1648A06K75	RIVNUT			04
184		MAIN LANDING GEAR BULKHEAD STRUCTURE REFER TO 53-13-03 FIGURE 04.			RF
185	2611126-18	BULKHEAD ASSY-LWR RH STA 201.50 NOT APPLICABLE TO PASSENGER VERSION FSO 2611126-32	B0001	B0681	NP
- 185A	2611126-32	BULKHEAD ASSY-LWR RH STA 201.50 NOT APPLICABLE TO PASSENGER VERSION			01
- 186	2611126-23	BULKHEAD ASSY-LWR LH STA 201.50 PASSENGER VERSION FSO 2611126-35	B0214	B0681	NP
- 186A	2611126-35	BULKHEAD ASSY-LWR LH STA 201.50 PASSENGER VERSION	B0682	& ON	01
- 187	2611126-24	BULKHEAD ASSY-LWR RH STA 201.50 PASSENGER VERSION FSO 2611126-36	B0214	B0681	NP
- 187A	2611126-36	BULKHEAD ASSY-LWR RH STA 201.50 PASSENGER VERSION	B0682	& ON	01
188	2611126-5	ANGLE-FLOORBOARD SUPPORT .040 2024 T3			01
189	2615087-2	SUPPORT ASSY-GILLINER LH .032 2024 T42 FSO 2615087-4	B0001	B0681	NP
190	2615087-1	SUPPORT ASSY-GILLINER RH .032 2024 T42 FSO 2615087-4	B0001	B0681	NP
- 190A	2615087-4	SUPPORT ASSY-GILLINER LH & RH .032 2024 T42	B0682	& ON	02
- 191	MS21069L3	NUTPLATE			02
192	2611019-10	BULKHEAD-LWR LH STA 201.50 .040 2024 T3			01
193	2611019-9	BULKHEAD-LWR RH STA 201.50 FSO 2611019-18	B0001	B0257	NP
- 194	2611019-16	BULKHEAD-LWR RH STA 201.50 FSO 2611019-18	B0258	B0300	NP
- 195	2611019-18	BULKHEAD-LWR RH STA 201.50 .040 2024 T3	B0301	& ON	01

NOTE 1—AIRPLANES -B0432 & ON AND AIRPLANES -B0001 THRU -B0431 INCORPORATING SK208-121.

NOTE 2—AIRPLANES -B0001 THRU -B1038 INCORPORATING SK208-158.

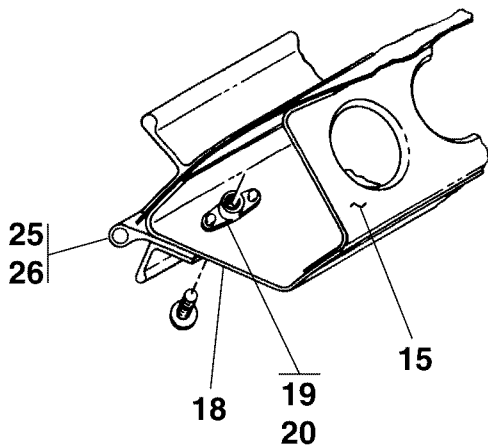
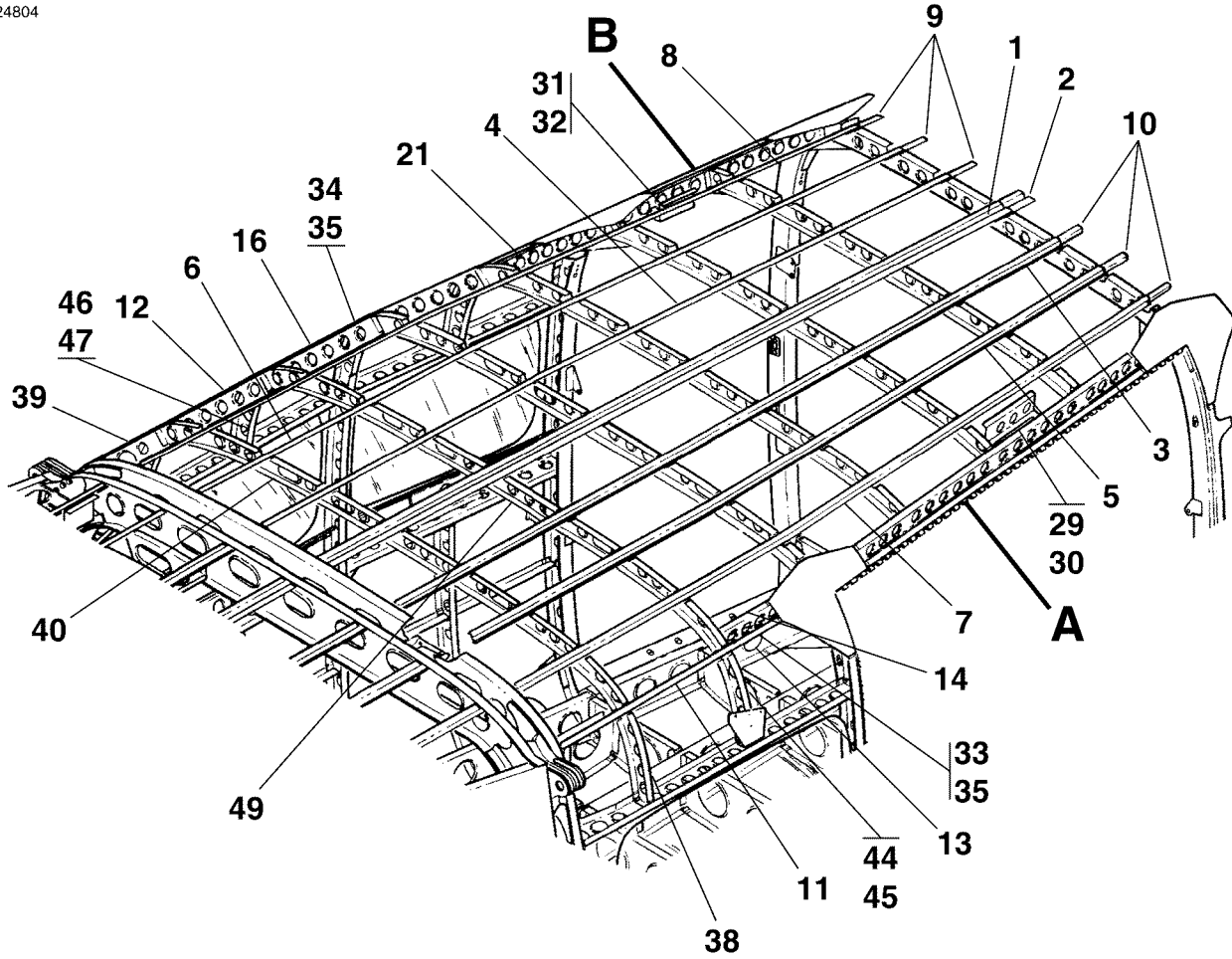
NOTE 3—FOR SPARES USE SK208-158.

R

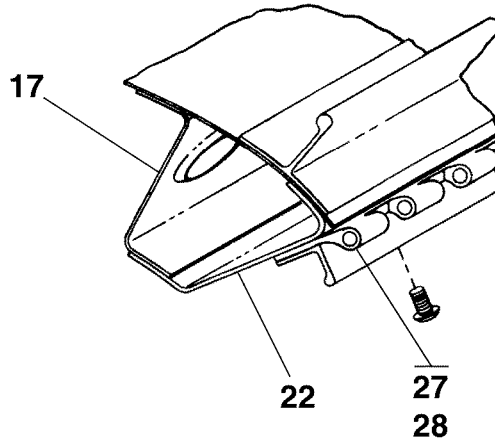
- ITEM NOT ILLUSTRATED

CESSNA®
MODEL 208
 ILLUSTRATED PARTS CATALOG

A24804



DETAIL A



DETAIL B

UPPER CENTER FUSELAGE STRUCTURE
 FIGURE 01 (SHEET 1)

26114004
 A26112002
 B26112002

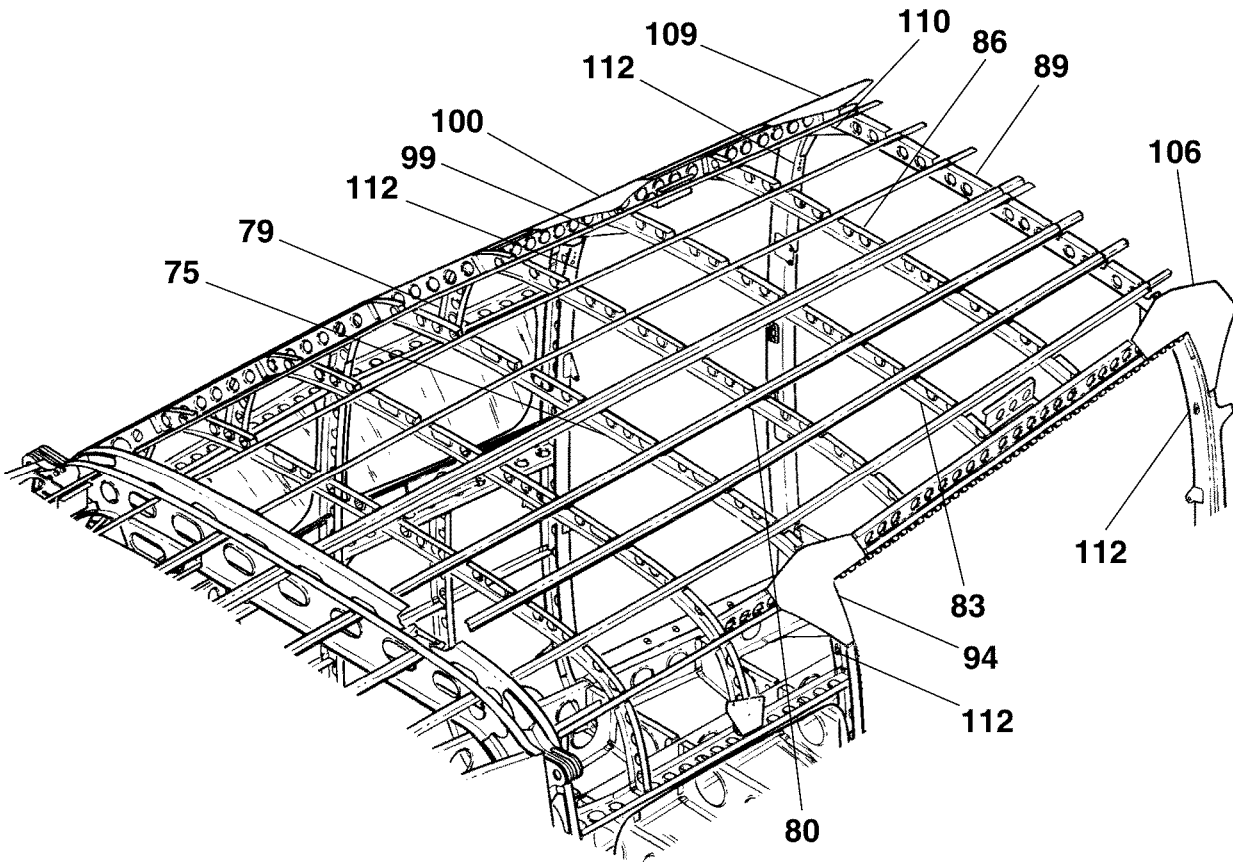
CESSNA®
MODEL 208
ILLUSTRATED PARTS CATALOG

FIG ITEM	PART NUMBER	NOMENCLATURE	UNITS	
			PER	ASSY
01		UPPER CENTER FUSELAGE STRUCTURE	0001	& ON RF
-				
1	2611084-1	. STRINGER-UPR CTR S1128-1		01
2	2611085-1	. SPLICE-UPR CTR .050 2024 T3		01
3	2611084-2	. STRINGER-LH S49-1		01
4	2611084-3	. STRINGER-RH S49-1		01
5	2611084-4	. STRINGER-LH S49-1		01
6	2611084-5	. STRINGER-RH S49-1		01
7	2611084-6	. STRINGER-LH S49-1		01
8	2611084-7	. STRINGER-RH S49-1		01
9	2611085-4	. SPLICE-RH .040 2024 T3		03
10	2611085-5	. SPLICE-LH .040 2024 T3		03
11	2611123-1	. CHANNEL-LH .040 2024 T42		01
12	2611123-2	. CHANNEL-RH FSO 2611123-10	0001	0192 NP
13	2611123-10	. CHANNEL-RH .040 2024 T42	0193	& ON 01
14	2611124-3	. Z SECTION-LH FWD .032 2024 T42		01
15	2611124-1	. Z SECTION-LH AFT .040 2024 T42		01
16	2611124-4	. Z SECTION-RH FWD .032 2024 T42		01
17	2611124-2	. Z SECTION-RH AFT .040 2024 T42		01
18	2611072-1	. CHANNEL ASSY-LH .063 2024 T3	0001	0533 01 R
- 18A	2611072-7	. CHANNEL ASSY-LH .063 2024 T3	0534	& ON 01 R
19	NAS1791A3-1	. NUTPLATE		16
20	MS21047L08	. NUTPLATE		01
21	2611072-2	. CHANNEL-RH CTR .040 2024 T3 FSO	0001	0533 01 R
- 21A	2611072-10	. CHANNEL-RH CTR .040 2024 T3	0534	& ON 01 R
22	2611072-4	. CHANNEL ASSY-RH AFT .040 2024 T42	0001	0533 01 R
- 22A	2611072-8	. CHANNEL ASSY-RH AFT .040 2024 T42	0534	& ON 01 R
- 23	NAS1791A3-1	. NUTPLATE		08
- 24	MS21047L08	. NUTPLATE		01
25		. HINGE HALF ASSY-UPR CARGO DOOR REFER TO 52-31-00 FIGURE 01		RF
		ATTACHING PARTS		
26	AN525-10R8	. SCREW		16
		—*—		
27		. HINGE HALF ASSY-UPR PASSENGER DOOR REFER TO 52-10-01 FIGURE 01		RF
		ATTACHING PARTS		
28	AN525-10R8	. SCREW		08
		—*—		
29	2611189-5	. BRACKET ASSY-CABIN LIGHT LH .040 2024 T42		01
30	S1648A06K75	. RIVNUT		04
31	2611189-3	. BRACKET ASSY-RH DOOR LIGHT .040 2024 T42		01
32	S1648A06K75	. RIVNUT		04
33	2611046-3	. CHANNEL ASSY-LH FWD .032 2024 T42		01
34	2611046-4	. CHANNEL ASSY-RH FWD .032 2024 T42		01
35	MS21047L08	. NUTPLATE		06
- 36	2611055-4	. CHANNEL ASSY-RH AFT .032 2024 T42		01
- 37	MS21047L08	. NUTPLATE		05
38	2611030-5	. BULKHEAD-LH STA 208.00 .032 2024 T42		01
39	2611030-6	. BULKHEAD-RH STA 208.00 .032 2024 T42		01
40	2611030-13	. BULKHEAD ASSY-UPR STA 208.00 FSO 2611030-38	0001	0198 NP
- 41	2611030-30	. BULKHEAD ASSY-UPR STA 208.00 FSO 2611030-38	0199	0207 NP
- 42	2611030-38	. BULKHEAD ASSY-UPR STA 208.00	0208	& ON 01
- 43	2615030-4	. CLIP .059DIA 1090 STRAIGHT		04
44	2611030-17	. BULKHEAD ASSY-LH STA 221.00	0001	0196 01
45	2611030-29	. BULKHEAD ASSY-LH STA 221.00	0197	& ON 01
46	2611030-18	. BULKHEAD ASSY-RH STA 221.00	0001	0196 01
47	2611030-28	. BULKHEAD ASSY-RH STA 221.00	0197	& ON 01
- 48	2622180-7	. DOUBLER .032 2024 T3		02
49	2611030-14	. BULKHEAD ASSY-UPR STA 221.00 FSO 2611030-39	0001	0198 NP
- 50	2611030-31	. BULKHEAD ASSY-UPR STA 221.00 FSO 2611030-39	0199	0207 NP
- 51	2611030-39	. BULKHEAD ASSY-UPR STA 221.00	0202	& ON 01
- 52	2615029-1	. CLIP-HEADLINER .032 2024 T42		04

- ITEM NOT ILLUSTRATED

CESSNA®
MODEL 208
ILLUSTRATED PARTS CATALOG

A25016



26114004

UPPER CENTER FUSELAGE STRUCTURE
FIGURE 01 (SHEET 2)

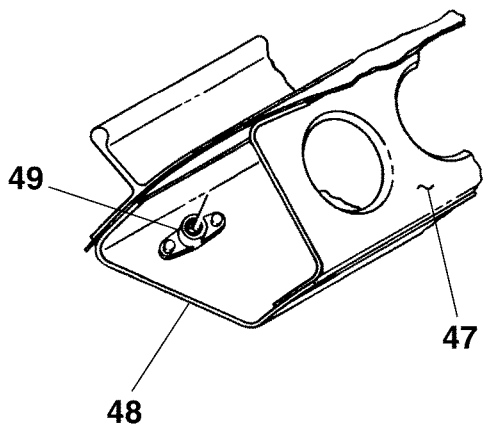
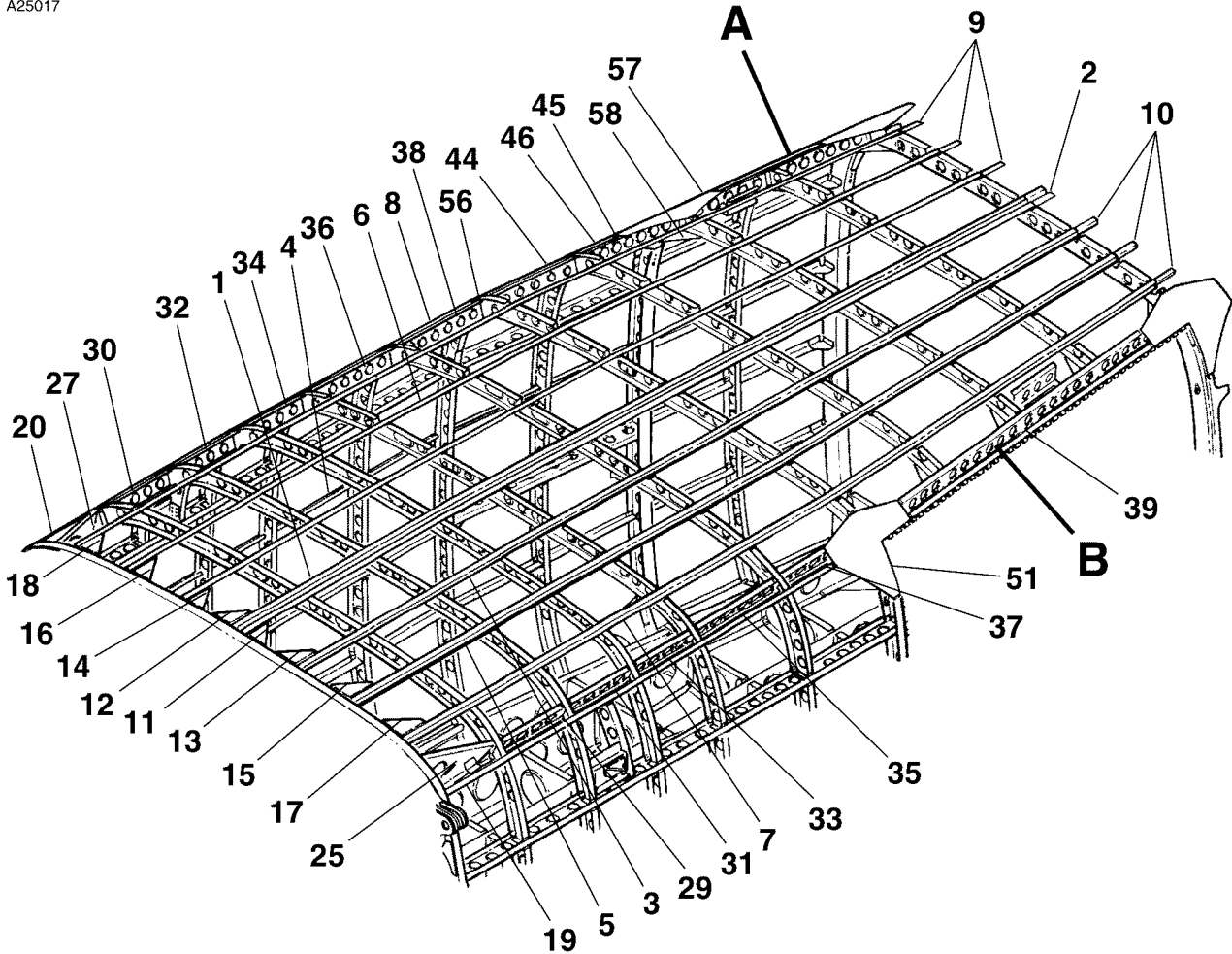
CESSNA®
MODEL 208
ILLUSTRATED PARTS CATALOG

FIG ITEM	PART NUMBER	NOMENCLATURE	UNITS PER ASSY		
			1	2	3
01					
75	2611044-3	. BULKHEAD ASSY-UPR STA 234.00 FSO 2611044-10	0001	0198	NP
- 76	2611044-6	. BULKHEAD ASSY-UPR STA 234.00 FSO 2611044-10	0199	0207	NP
- 77	2611044-10	. BULKHEAD ASSY-UPR STA 234.00	0208	& ON	01
- 78	2615030-4	. . CLIP-HEADLINER .059DIA 1090 STRAIGHT			04
79	2611051-2	. BULKHEAD-RH STA 246.50 .032 2024 T42			01
80	2611051-8	. BULKHEAD ASSY-UPR STA 246.50 FSO 2611051-10	0001	0198	NP
- 81	2611051-10	. BULKHEAD ASSY-UPR STA 246.50	0199	& ON	01
- 82	2615030-4	. . CLIP-HEADLINER .059DIA 1090 STRAIGHT			04
83	2611068-3	. BULKHEAD ASSY-UPR STA 259.00 FSO 2611068-4	0001	0198	NP
- 84	2611068-4	. BULKHEAD ASSY-UPR STA 259.00	0199	& ON	01
- 85	2615030-4	. . CLIP-HEADLINER .059DIA 1090 STRAIGHT			04
86	2611051-6	. BULKHEAD ASSY-UPR STA 271.50 FSO 2611051-9	0001	0198	NP
- 87	2611051-9	. BULKHEAD ASSY-UPR STA 271.50	0199	& ON	01
- 88	2615030-4	. . CLIP-HEADLINER .059DIA 1090 STRAIGHT			02
89	2611067-3	. BULKHEAD ASSY-UPR STA 284.00 FSO 2611067-6	0001	0139	NP
- 90	2611067-5	. BULKHEAD ASSY-UPR STA 284.00 FSO 2611067-6	0140	0198	NP
- 91	2611067-6	. BULKHEAD ASSY-UPR STA 284.00	0199	0395	01
- 91A	2611067-7	. BULKHEAD ASSY-UPR STA 284.00	0396	& ON	01
- 92	2615030-4	. . CLIP-HEADLINER .059DIA 1090 STRAIGHT			04
- 93	MS21047L08	. . NUTPLATE	0140	0198	04
- 93A	2615178-2	. BRACKET ASSY-STA 284.00 OXYGEN AND LIGHT	0396	0416	03
- 93B	2615178-4	. BRACKET ASSY-STA 284.00 OXYGEN AND LIGHT	0417	& ON	03
94	2611088-1	. DOUBLER-LH OUTER STA 234.00 .040 2024 T42			01
- 95	2611125-7	. DOUBLER ASSY-LH INNER STA 234.00 .040 2024 T42			01
- 96	MS21047L3	. . NUTPLATE			01
- 97	2611145-5	. GUSSET ASSY-LH INNER STA 246.50 .032 2024 T42			01
- 98	MS21047L3	. . NUTPLATE			01
99	2611088-2	. DOUBLER-RH OUTER STA 259.00 .040 2024 T42			01
100	2611125-8	. DOUBLER ASSY-RH INNER STA 259.00 .040 2024 T42			01
- 101	MS21047L3	. . NUTPLATE			01
- 102	2611145-6	. GUSSET ASSY-LH INNER STA 259.00 .032 2024 T42			01
- 103	2611145-7	. GUSSET ASSY-LH INNER STA 271.50 .032 2024 T42			01
- 104	2611145-8	. GUSSET ASSY-RH INNER STA 271.50 .032 2024 T42			01
- 105	MS21047L3	. . NUTPLATE			01
106	2611088-3	. DOUBLER-LH OUTER STA 284.00 .040 2024 T42			01
- 107	2611125-5	. DOUBLER ASSY-LH INNER STA 284.00 .040 2024 T42			01
- 108	MS21047L3	. . NUTPLATE			01
109	2611088-4	. DOUBLER-RH OUTER STA 284.00 .040 2024 T42			01
110	2611125-6	. DOUBLER ASSY-RH INNER STA 284.00 .040 2024 T42			01
- 111	MS21047L3	. . NUTPLATE			01
112	NAS696A08	. NUTPLATE-WINDOW MOULDING ATTACH			04

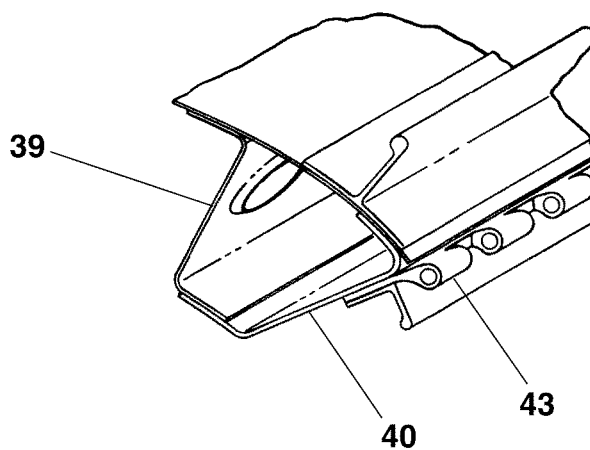
- ITEM NOT ILLUSTRATED

CESSNA®
MODEL 208
 ILLUSTRATED PARTS CATALOG

A25017



DETAIL A



DETAIL B

UPPER CENTER FUSELAGE STRUCTURE
 FIGURE 02 (SHEET 1)

26114001
 A26112002
 B26112002

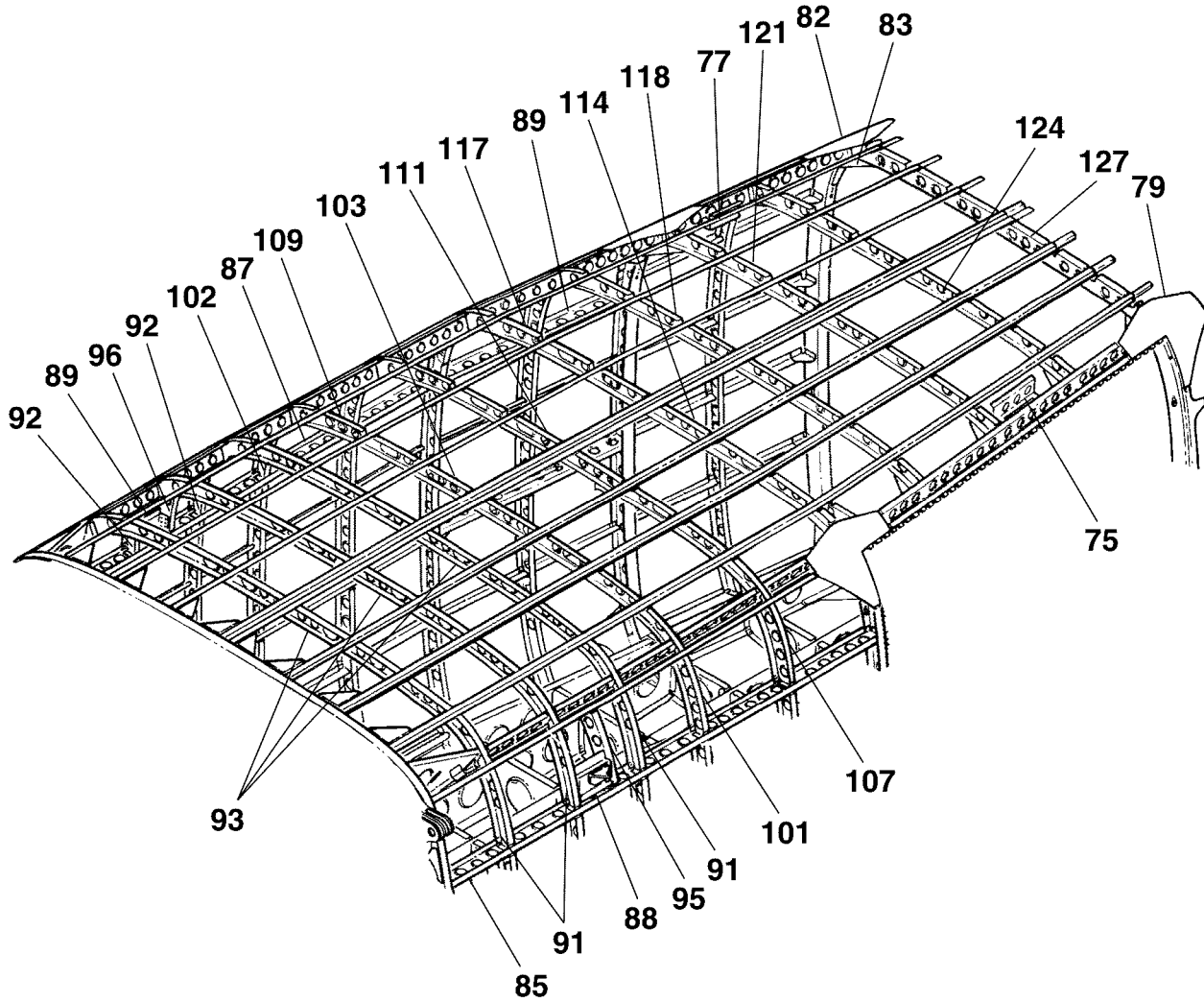
CESSNA®
MODEL 208
ILLUSTRATED PARTS CATALOG

FIG ITEM	PART NUMBER	NOMENCLATURE	UNITS	
			PER	ASSY
02		UPPER CENTER FUSELAGE STRUCTURE	B0001	& ON RF
-				
1	2611084-18	. STRINGER-UPR CTR S50		01
2	2611085-1	. SPLICE-UPR CTR .050 2024 T3		01
3	2611084-19	. STRINGER-UPR LH S50		01
4	2611084-20	. STRINGER-UPR RH S50		01
5	2611084-21	. STRINGER-UPR LH S50		01
6	2611084-22	. STRINGER-UPR RH S50		01
7	2611084-23	. STRINGER-UPR LH S50		01
8	2611084-24	. STRINGER-UPR RH S50		01
9	2611085-4	. SPLICE-UPR LH .040 2024 T3		03
10	2611085-5	. SPLICE-UPR RH .040 2024 T3		03
11	2611032-1	. DOUBLER-LH .050 2024 T42		01
12	2611032-2	. DOUBLER-RH .050 2024 T42		01
13	2611032-5	. DOUBLER-LH .050 2024 T42		01
14	2611032-6	. DOUBLER-RH .050 2024 T42		01
15	2611032-7	. DOUBLER-LH .050 2024 T42		01
16	2611032-8	. DOUBLER-RH .050 2024 T42		01
17	2611032-9	. DOUBLER-LH .050 2024 T42		01
18	2611032-10	. DOUBLER-RH .050 2024 T42		01
19	2611123-3	. CHANNEL ASSY-LH STA 217.813 TO 282.00		01
20	2611123-4	. CHANNEL ASSY-LH STA 217.813 TO 282.00	B0001	B0222 01
- 21	2611123-14	. CHANNEL ASSY-RH STA 217.813 TO 282.00	B0223	& ON 01
		ATTACHING PARTS		
- 22	AN174-26A	. BOLT ATTACH TO BLKHD STA 217.813		01
- 23	NAS1149F0463P	. WASHER ATTACH TO BLKHD STA 217.813		01
- 24	MS21044N4	. NUT ATTACH TO BLKHD STA 217.813		01
		*—		
25	2611124-27	. ZEE SECTION ASSY-LH STA 217.813 TO 228.00		01
- 26	2611124-25	. ANGLE-LH .040 2024 T3		01
27	2611124-28	. ZEE SECTION ASSY-RH STA 217.813 TO 228.00		01
- 28	2611124-26	. ANGLE-RH .040 2024 T3		01
29	2611124-15	. ZEE SECTION-LH .040 2024 T42		01
30	2611124-16	. ZEE SECTION-RH .040 2024 T42		01
31	2611124-13	. ZEE SECTION-LH .040 2024 T42		01
32	2611124-14	. ZEE SECTION-RH .040 2024 T42		01
33	2611124-11	. ZEE SECTION-LH .040 2024 T42		01
34	2611124-12	. ZEE SECTION-RH .040 2024 T42		01
35	2611124-9	. ZEE SECTION-LH .040 2024 T42		01
36	2611124-10	. ZEE SECTION-RH .040 2024 T42		01
37	2611124-3	. ZEE SECTION-LH .032 2024 T42		01
38	2611124-8	. ZEE SECTION-RH .040 2024 T42		01
39	2611124-1	. ZEE SECTION-LH .040 2024 T42		01
40	2611072-1	. CHANNEL ASSY-LH .063 2024 T3	B0001	B2323 01
- 40A	2611072-1	. CHANNEL ASSY-LH .063 2024 T3	B2324	& ON 01
- 41	MS21059L3	. NUTPLATE		16
- 42	MS21047L08	. NUTPLATE		01
43		. HINGE HALF ASSY-UPR CARGO DOOR REFER TO 52-31-00 FIGURE 02		RF
44	2611124-6	. ZEE SECTION-RH .040 2024 T42		01
45	2611124-4	. ZEE SECTION-RH .032 2024 T42		01
46	2611072-2	. CHANNEL-RH STA .040 2024 T42	B0001	B2323 01
- 46A	2611072-10	. CHANNEL-RH STA .040 2024 T42	B2324	& ON 01
47	2611124-2	. ZEE SECTION-RH .040 2024 T3		01
48	2611072-4	. CHANNEL ASSY-RH .040 2024 T42	B0001	B2323 01
- 48A	2611072-8	. CHANNEL ASSY-RH .040 2024 T42	B2324	& ON 01
49	MS21059L3	. NUTPLATE		08
- 50	NAS686A08	. NUTPLATE		01
51	2611088-1	. DOUBLER-LH OUTER .040 2024 T42		01
- 52	2611125-7	. DOUBLER ASSY-LH INNER .040 2024 T42		01
- 53	MS21047L3	. NUTPLATE		01
- 54	2611145-5	. GUSSET ASSY-LH INNER .032 2024 T42		01
- 55	MS21047L3	. NUTPLATE		01
56	2611032-4	. DOUBLER-RH STA 282.00 .040 2024 T42		NP
- 56A	2601247-32	. DOUBLER-RH STA 282.00 .040 2024 T42		01
57	2611088-2	. DOUBLER-RH OUTER STA 307.00 .040 2024 T42		01
58	2611125-8	. DOUBLER ASSY-RH INNER .040 2024 T42		01
- 59	MS21047L08	. NUTPLATE		01
- 60	2611145-6	. GUSSET ASSY-LH INNER .032 2024 T42		01
- 61	2611145-7	. GUSSET ASSY-LH INNER .032 2024 T42		01
- 62	2611145-8	. GUSSET ASSY-RH INNER .032 2024 T42		01
- 63	MS21047L3	. NUTPLATE		01

- ITEM NOT ILLUSTRATED

CESSNA®
MODEL 208
ILLUSTRATED PARTS CATALOG

A25018



26114001

UPPER CENTER FUSELAGE STRUCTURE
FIGURE 02 (SHEET 2)

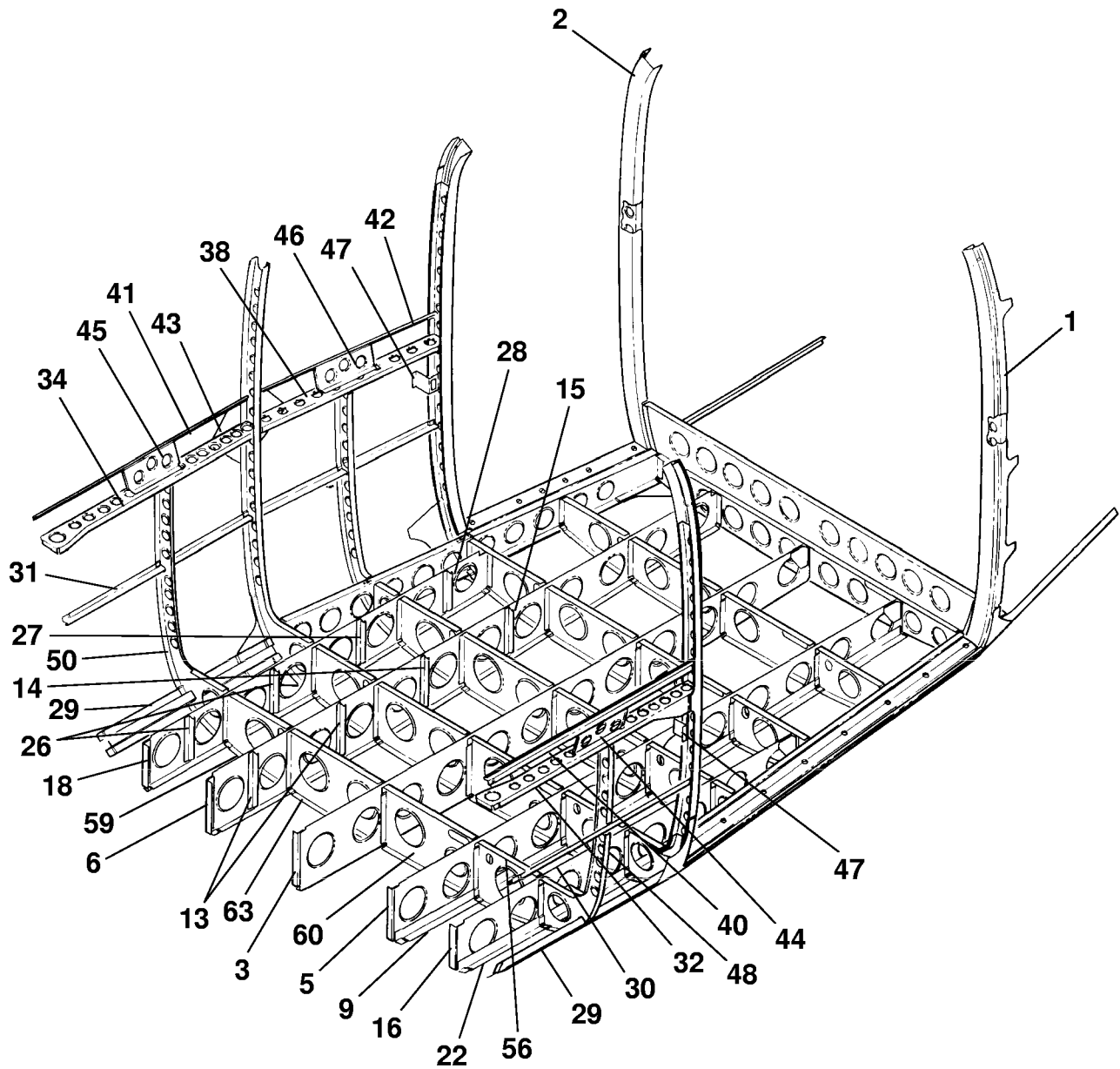
CESSNA®
MODEL 208
ILLUSTRATED PARTS CATALOG

FIG ITEM	PART NUMBER	NOMENCLATURE	UNITS			
			PER	ASSY	PER	ASSY
02						
75	2611189-5	. BRACKET ASSY-CABIN LIGHT LH .040 2024 T42				01
- 76	S1648A06K75	. RIVNUT				04
77	2611189-3	. BRACKET ASSY-CABIN LIGHT RH .040 2024 T42				01
- 78	S1648A06K75	. RIVNUT				04
79	2611088-3	. DOUBLER-LH OUTER STA 332.00 .040 2024 T42				01
- 80	2611125-5	. DOUBLER ASSY-LH INNER .040 2024 T42				01
- 81	MS21047L3	. NUTPLATE				01
82	2611088-4	. DOUBLER-RH OUTER STA 332.00 .040 2024 T42				01
83	2611125-6	. DOUBLER ASSY-RH INNER .040 2024 T42				01
- 84	MS21047L3	. NUTPLATE				01
85	2611046-11	. CHANNEL ASSY-LH STA 217.813 TO 282.00				01
- 86	MS21047L08	. NUTPLATE				12
87	2611046-12	. CHANNEL ASSY-RH STA 217.813 TO 282.00				01
88	MS21047L08	. NUTPLATE				12
89	2611055-4	. CHANNEL ASSY-RH STA 282.00 TO 307.00				01
- 90	MS21047L08	. NUTPLATE				05
91	2611008-3	. BULKHEAD-LH .032 2024 T42				03
92	2611008-4	. BULKHEAD-RH .032 2024 T42				03
93	2611008-1	. BULKHEAD ASSY-UPR STA 228.00,237.00 & 246.81				03
- 94	2615029-1	. CLIP-HEADLINER .032 2024 T42				04
95	2611008-5	. BULKHEAD ASSY-LH .032 2024 T42				01
96	2611008-6	. BULKHEAD ASSY-RH .032 2024 T42				01
- 97	MS21047L08	. NUTPLATE				01
- 98	2622256-11	. PLATE ASSY-FLAP ROLLER SUPPORT LH .050 2024 T3 REFER TO NOTE 1	B0001	B0194	01	R
- 99	2622256-12	. PLATE ASSY- FLAP ROLLER SUPPORT RH .050 2024 T3 REFER TO NOTE 1	B0001	B0194	01	
- 100	MS21047L3	. NUTPLATE REFER TO NOTE 1	B0001	B0194	04	
101	2611030-5	. BULKHEAD-LH STA 256.00 .032 2024 T42				01
102	2611030-6	. BULKHEAD-RH STA 256.00 .032 2024 T42				01
103	2611030-24	. BULKHEAD ASSY-UPR STA 256.00 FSO 2611030-34	B0001	B0241		NP
- 104	2611030-32	. BULKHEAD ASSY-UPR STA 256.00 .032 2024 T42	B0242	B0254		NP
- 105	2611030-34	. BULKHEAD ASSY-UPR STA 256.00	B0255	& ON		01
- 106	2615030-4	. CLIP-HEADLINER .059DIA 1090 STRAIGHT				01
107	2611030-19	. BULKHEAD ASSY-LH STA 269.00 FSO 2611030-29	B0001	B0227		NP
- 108	2611030-29	. BULKHEAD ASSY-LH STA 269.00 .032 2024 T42	B0228	& ON		01
109	2611030-20	. BULKHEAD ASSY-RH STA 269.00 FSO 2611030-28	B0001	B0227		NP
- 110	2611030-28	. BULKHEAD ASSY-RH STA 269.00 .032 2024 T42	B0228	& ON		01
111	2611030-25	. BULKHEAD ASSY-UPR STA 269.00 FSO 2611030-36	B0001	B0241		NP
- 112	2611030-36	. BULKHEAD ASSY-UPR STA 269.00	B0242	& ON		01
- 113	2615030-4	. CLIP-HEADLINER .059DIA 1090 STRAIGHT				04
114	2611044-4	. BULKHEAD ASSY STA 282.00 FSO 2611044-8	B0001	B0241		NP
- 115	2611044-8	. BULKHEAD ASSY STA 282.00	B0242	& ON		01
- 116	2615030-4	. CLIP-HEADLINER .059DIA 1090 STRAIGHT				04
117	2611051-2	. BULKHEAD-RH STA 294.50 .032 2024 T42				01
118	2611051-8	. BULKHEAD ASSY-UPR STA 294.50 FSO 2611051-10	B0001	B0241		NP
- 119	2611051-10	. BULKHEAD ASSY-UPR STA 294.50	B0242	& ON		01
- 120	2615030-4	. CLIP-HEADLINER .059DIA 1090 STRAIGHT				04
121	2611068-3	. BULKHEAD ASSY-UPR STA 307.00 FSO 2611068-4	B0001	B0241		NP
- 122	2611068-4	. BULKHEAD ASSY-UPR STA 307.00	B0242	& ON		01
- 123	2615030-4	. CLIP-HEADLINER .059DIA 1090 STRAIGHT				04
124	2611051-6	. BULKHEAD ASSY-UPR STA 319.50 FSO 2611051-9	B0001	B0241		NP
- 125	2611051-9	. BULKHEAD ASSY-UPR STA 319.50	B0242	& ON		01
- 126	2615030-4	. CLIP-HEADLINER .059DIA 1090 STRAIGHT				02
127	2611067-3	. BULKHEAD ASSY-UPR STA 332.00 FSO 2611067-6	B0001	B0055		NP
- 128	2611067-5	. BULKHEAD ASSY-UPR STA 332.00 FSO 2611067-6	B0056	B0241		NP
- 129	2611067-6	. BULKHEAD ASSY-UPR STA 332.00	B0242	B1170		01
- 129A	2611067-7	. BULKHEAD ASSY-UPR STA 332.00	B1171	& ON		01
- 130	2615030-4	. CLIP-HEADLINER .059 1090 STRAIGHT				04
- 131	MS21047L04	. NUTPLATE	B0056	& ON		04
- 132	2615178-2	. BRACKET ASSY-OXYGEN & LIGHT STA 332.00	B1171	B1266		03
- 132A	2615178-4	. BRACKET ASSY-OXYGEN & LIGHT STA 332.00	B1267	& ON		03

NOTE 1—NOT INCORPORATING SK208-71

CESSNA®
MODEL 208
ILLUSTRATED PARTS CATALOG

A24774



26113012

LOWER CENTER FUSELAGE STRUCTURE
FIGURE 01 (SHEET 1)

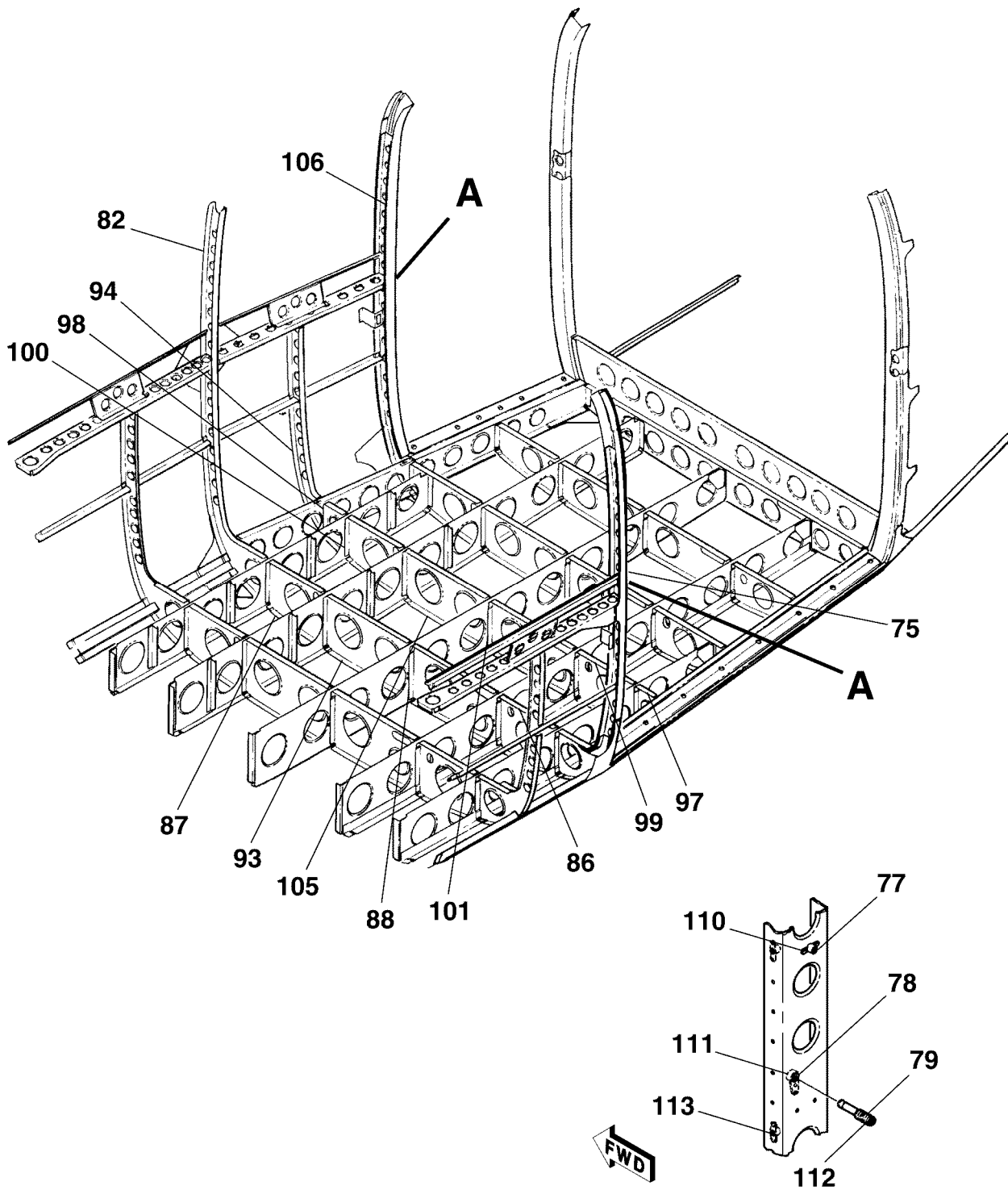
CESSNA®
MODEL 208
ILLUSTRATED PARTS CATALOG

FIG ITEM	PART NUMBER	NOMENCLATURE	UNITS		
			1	2	PER ASSY
01		LOWER CENTER FUSELAGE STRUCTURE	0001	& ON	RF
-		. CARGO DOOR JAMB STRUCTURE REFER TO 53-13-02 FIGURE 01			RF
1		. PASSENGER DOOR JAMB STRUCTURE REFER TO 53-13-00 FIGURE 02			RF
2		. LONGERON ASSY CTR			01
3	2611041-9	. ATTACH ANGLE .040 2024 T42			01
- 4	2611042-5	. LONGERON ASSY LBL 14.00			01
5	2611041-5	. LONGERON ASSY RBL 14.00			01
6	2611041-6	. ATTACH ANGLE LH .040 2024 T42			01
- 7	2611042-3	. ATTACH ANGLE RH .040 2024 T42			01
- 8	2611042-4	. STIFFENER-LWR LH FSO 2611041-53	0001	0114	NP
9	2611041-13	. STIFFENER-LWR LH .100 2024 T42	0115	& ON	01
- 10	2611041-53	. STIFFENER-LWR RH FSO 2611041-54	0001	0114	NP
- 11	2611041-14	. STIFFENER-LWR RH .100 2024 T42	0115	& ON	01
- 12	2611041-54	. STIFFENER S1662-1			02
13	2611041-17	. STIFFENER S1662-1			01
14	2611041-18	. STIFFENER S1662-1			01
15	2611041-19	. LONGERON ASSY LBL 23.50 FSO 2611041-47	0001	0114	NP
16	2611041-1	. LONGERON ASSY LBL 23.50	0115	& ON	01
- 17	2611041-47	. LONGERON ASSY RBL 23.50 FSO 2611041-48	0001	0114	NP
18	2611041-2	. LONGERON ASSY RBL 23.50	0115	& ON	01
- 19	2611041-48	. ATTACH ANGLE LH .040 2024 T42			01
- 20	2611042-7	. ATTACH ANGLE RH .040 2024 T42			01
21	2611042-6	. STIFFENER-LWR LH .100 2024 T42	0001	0114	01
22	2611041-11	. STIFFENER-LWR LH .100 2024 T42	0115	& ON	01
- 23	2611041-51	. STIFFENER-LWR RH .100 2024 T42	0001	0114	01
- 24	2611041-12	. STIFFENER-LWR RH .100 2024 T42	0115	& ON	01
- 25	2611041-52	. STIFFENER S1662-1			02
26	2611041-20	. STIFFENER S1662-1			01
27	2611041-15	. STIFFENER S1662-1			01
28	2611041-16	. STIFFENER S1662-1			02
29	2611023-2	. STIFFENER .050 2024 T42			01
30	2611084-8	. STRINGER-LH S1662-1			01
31	2611084-9	. STRINGER-RH S1662-1			01
32	2611017-3	. CHANNEL ASSY-LH FSO 2611017-17	0001	0185	NP
- 33	2611017-17	. CHANNEL ASSY-LH .040 2024 T42	0186	& ON	01
34	2611017-4	. CHANNEL ASSY-FWD RH FSO 2611017-18	0001	0185	NP
- 35	2611017-18	. CHANNEL ASSY-FWD RH .040 2024 T42	0186	& ON	01
- 36	MS21047L08	. NUTPLATE	0001	0185	02
- 37	MS20169L08	. NUTPLATE	0186	& ON	02
38	2611055-3	. CHANNEL ASSY-AFT RH .032 2024 T42			01
- 39	MS21047L08	. NUTPLATE			02
40	2611086-1	. STIFFENER-LH S282			01
41	2611086-2	. STIFFENER-FWD RH S282			01
42	2611086-4	. STIFFENER-AFT RH S282			01
43	2611000-23	. DOUBLER-RH .025 2024 T3			01
44	2611159-11	. STIFFENER-LH .040 2024 T42			01
45	2611159-10	. STIFFENER-FWD RH .040 2024 T42			01
46	2611159-9	. STIFFENER-AFT RH .040 2024 T42			01
47	2611189-7	. BRACKET-SWITCH .040 2024 T42			02
48	2611015-2	. BULKHEAD ASSY-LH OUTBD STA 221.00	0001	0164	01
- 49	2611015-18	. BULKHEAD ASSY-LH OUTBD STA 221.00	0165	& ON	01
50	2611015-1	. BULKHEAD ASSY-RH OUTBD STA 221.00	0001	0164	01
- 51	2611015-17	. BULKHEAD ASSY-RH OUTBD STA 221.00	0165	& ON	01
- 52	2611015-5	. SUPPORT-FLOORBOARD .040 2024 T3	0001	0164	01
- 53	2611015-15	. SUPPORT-FLOORBOARD-LH .040 2024 T42	0165	& ON	01
- 54	2611015-16	. SUPPORT-FLOORBOARD-RH .040 2024 T42	0165	& ON	01
- 55	AN256-8	. NUTPLATE-PLENIUM SUPPORT			01
56	2611019-9	. BULKHEAD-LH STA 221.00 FSO 2611019-18	0001	0201	NP
- 57	2611019-16	. BULKHEAD-LH STA 221.00 FSO 2611019-18	0202	0215	NP
- 58	2611019-18	. BULKHEAD-LH STA 221.00 .040 2024 T3	0216	& ON	01
59	2611019-10	. BULKHEAD-RH STA 221.00 .040 2024 T3			01
60	2611029-1	. BULKHEAD-LH CTR STA 221.00 FSO 2611029-15	0001	0177	NP
- 61	2611029-9	. BULKHEAD-LH CTR STA 221.00 FSO 2611029-15	0178	0207	NP
- 62	2611029-15	. BULKHEAD-LH CTR STA 221.00	0208	& ON	01
63	2611029-2	. BULKHEAD-RH CTR STA 221.00			01

- ITEM NOT ILLUSTRATED

CESSNA®
MODEL 208
ILLUSTRATED PARTS CATALOG

A25019



DETAIL A

26113012
A26141044

LOWER CENTER FUSELAGE STRUCTURE
FIGURE 01 (SHEET 2)

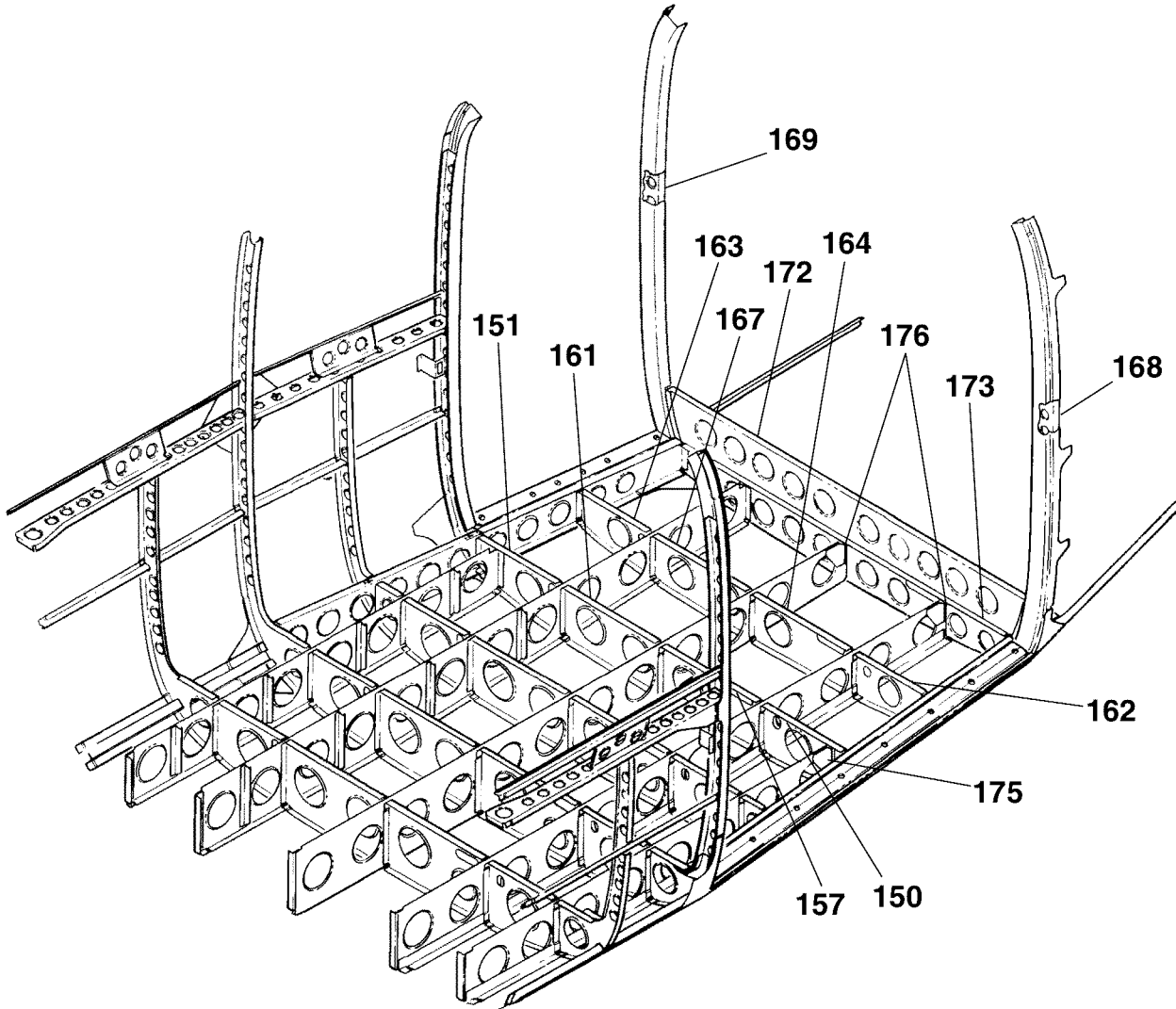
CESSNA®
MODEL 208
ILLUSTRATED PARTS CATALOG

FIG ITEM	PART NUMBER	NOMENCLATURE	UNITS PER ASSY		
			1	2	3
01					
75	2611053-5	. BULKHEAD ASSY-LH OUTBD STA 234.00			01
- 76	2611053-7	. . SPLICE ANGLE .050 6061 T6			01
77	MS21047L3	. . NUTPLATE			01
78	MS21051L5	. . NUTPLATE			01
79	2611187-1	. . ADJUSTING SCREW .312DIA 4130 90K			01
- 80	MS21047L08	. . NUTPLATE			05
- 81	MS21051L08	. . NUTPLATE			01
82	2611053-2	. BULKHEAD ASSY-RH OUTBD STA 234.00 FSO 2611053-12	0001	0185	NP
- 82A	2611053-8	. BULKHEAD ASSY-RH OUTBD STA 234.00 FSO 2611053-12	0186	0329	NP
- 82B	2611053-12	. BULKHEAD ASSY-RH OUTBD STA 234.00	0330	& ON	01
- 83	2611053-6	. . SPLICE ANGLE .050 6061 T6	0001	0329	01
- 83A	2611053-11	. . SPLICE ANGLE .050 6061 T6	0330	& ON	01
- 84	MS21047L08	. . NUTPLATE			05
- 85	MS21051L08	. . NUTPLATE			01
86	2611019-7	. BULKHEAD-LH STA 234.00 .040 2024 T3			01
87	2611019-8	. BULKHEAD-RH STA 234.00 .040 2024 T3			01
88	2611029-3	. BULKHEAD-LH CTR STA 234.00 FSO 2611029-17	0001	0177	NP
- 89	2611029-11	. BULKHEAD-LH CTR STA 234.00 FSO 2611029-17	0178	0207	01
- 90	2611029-17	. BULKHEAD ASSY-LH CTR STA 234.00	0208	& ON	01
- 91	2611223-1	. . ANGLE STIFFENER S291	0208	& ON	01
- 92	MS21047L3	. . NUTPLATE	0208	& ON	02
93	2611029-4	. BULKHEAD-RH CTR STA 234.00 .040 2024 T3			01
94	2611056-13	. BULKHEAD ASSY-RH OUTBD STA 246.50 FSO 2611056-20	0001	0207	01
- 95	2611056-20	. BULKHEAD ASSY- RH OUTBD STA 246.50	0208	& ON	01
- 96	2611053-3	. . SUPPORT-FLOORBOARD .040 2024 T3 FSO 2611053-10	0001	0185	NP
- 96A	2611053-10	. . SUPPORT-FLOORBOARD .040 2024 T42	0186	& ON	01
97	2611073-1	. BULKHEAD-LH STA 246.50 .040 2024 T42			01
98	2611073-2	. BULKHEAD-RH STA 246.50 .040 2024 T42			01
99	2611034-1	. BULKHEAD-LH STA 246.50 .040 2024 T3			01
100	2611034-2	. BULKHEAD-RH STA 246.50 .040 2024 T3			01
101	2611029-5	. BULKHEAD-LH CTR STA 246.50 FSO 2611029-19	0001	0177	NP
- 102	2611029-13	. BULKHEAD-LH CTR STA 246.50 FSO 2611029-19	0178	0207	NP
- 103	2611029-19	. BULKHEAD ASSY-LH CTR STA 246.50	0208	& ON	01
- 104	2611223-1	. . ANGLE STIFFENER S291	0208	& ON	01
105	2611029-6	. BULKHEAD-RH CTR STA 246.50 .040 2024 T3			01
106	2611056-6	. BULKHEAD ASSY-RH OUTBD STA 259.00 FSO 2611056-23	0001	0329	NP
- 106A	2611056-23	. BULKHEAD ASSY-RH OUTBD STA 259.00	0330	& ON	01
- 107	2611056-5	. . SPLICE ANGLE .050 6061 T62	0001	0329	01
- 107A	2611056-21	. . SPLICE ANGLE .050 6061 T62	0330	& ON	01
- 108	MS21047L08	. . NUTPLATE			04
- 109	MS21051L08	. . NUTPLATE			01
110	MS21047L3	. . NUTPLATE			01
111	MS21051L5	. . NUTPLATE			01
112	2611187-1	. . ADJUSTING SCREW .312 4130 90K			01
113	MS21086L08	. NUTPLATE- UPHOLSTERY ATTACH			05

- ITEM NOT ILLUSTRATED

CESSNA®
MODEL 208
ILLUSTRATED PARTS CATALOG

A23989



26113012

LOWER CENTER FUSELAGE STRUCTURE
FIGURE 01 (SHEET 3)

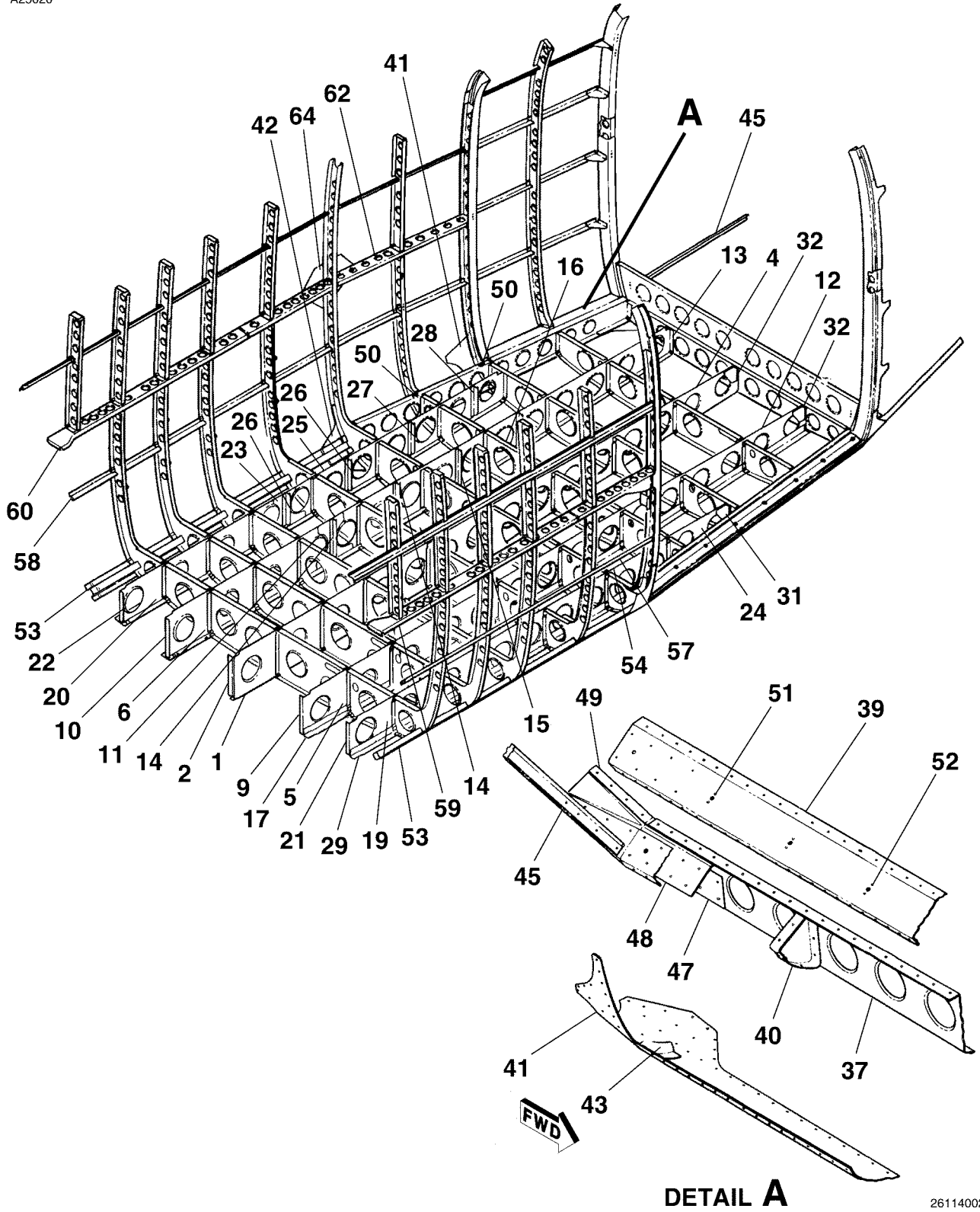
CESSNA®
MODEL 208
 ILLUSTRATED PARTS CATALOG

FIG ITEM	PART NUMBER	NOMENCLATURE	UNITS PER ASSY		
			1	2	3
01					
150	2611034-5	. BULKHEAD ASSY-LH FS 259.00 FSO 2611034-11	0001	0203	NP R
- 150A	2611034-11	. BULKHEAD ASSY-LH FS 259.00	0204	0570	01 R
- 150B	2611034-15	. BULKHEAD ASSY-LH FS 259.00	0571	& ON	01 R
151	2611034-6	. BULKHEAD ASSY-RH FS 259.00			01 R
- 152	MS21047L3	. . NUTPLATE			01 R
- 152A	NAS682A3	. . NUTPLATE			01 R
- 153	2611034-7	. DOUBLER-LH FSO 2611034-9	0001	0133	01
- 154	2611034-9	. DOUBLER-LH .040 2024 T3	0134	& ON	01
- 155	2611034-8	. DOUBLER-RH FSO 2611034-10	0001	0133	01
- 156	2611034-10	. DOUBLER-RH .040 2024 T3	0134	& ON	01
157	2611225-2	. BULKHEAD ASSY-LH CTR STA 259.00			01
- 158	2611224-1	. . ANGLE-STIFFENER S291			01
- 159	2611225-3	. . STIFFENER S283			01
- 160	MS21047L3	. . NUTPLATE			02
161	2611027-2	. BULKHEAD-RH CTR STA 259.00 .040 2024 T3			01
162	2611035-1	. BULKHEAD-LH OUTBD STA 271.50 .040 2024 T42			01
163	2611035-2	. BULKHEAD-RH OUTBD STA 271.50 .040 2024 T42			01
164	2611226-2	. BULKHEAD ASSY-LH CTR			01
- 165	2611226-3	. . STIFFENER S283			01
- 166	2611224-1	. . ANGLE-STIFFENER S291			01
167	2611027-4	. BULKHEAD-RH CTR .040 2024 T3			01
168	2611120-3	. BULKHEAD ASSY-LH OUTBD .040 2024 T42			01
169	2611120-4	. BULKHEAD ASSY-RH OUTBD .040 2024 T42			01
- 170	MS21047L08	. . NUTPLATE LH			05
- 171	MS21047L08	. . NUTPLATE RH			04
172	2611131-5	. BULKHEAD ASSY-LWR STA 284.00			01
173	2611131-3	. . STIFFENER .040 2024 T3			01
- 174	MS21047L3	. . NUTPLATE			16
175	2611192-3	. DOUBLER .040 2024 T3			02
176	2611192-4	. DOUBLER .040 2024 T3			03
		ATTACHING PARTS			
- 177	NAS220-9	. SCREW			02
- 178	NAS1149FN832P	. WASHER			02
- 179	MS21044N08	. NUT			02
		—*—			

- ITEM NOT ILLUSTRATED

CESSNA®
MODEL 208
 ILLUSTRATED PARTS CATALOG

A25020



LOWER CENTER FUSELAGE STRUCTURE
 FIGURE 02 (SHEET 1)

26114002
 A26113002

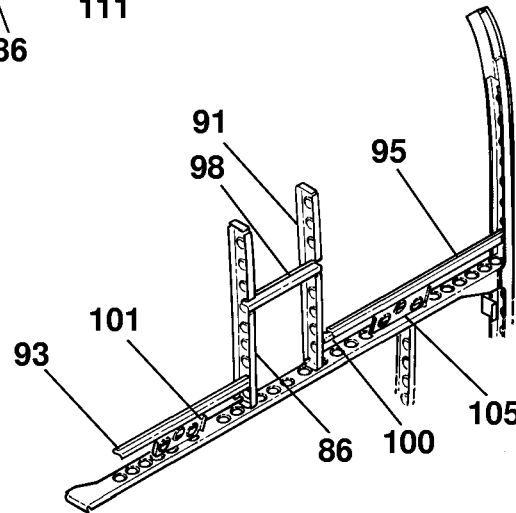
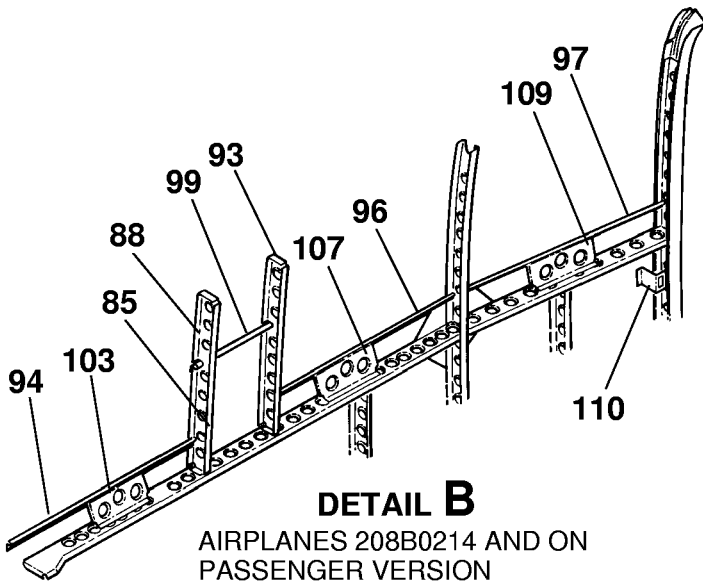
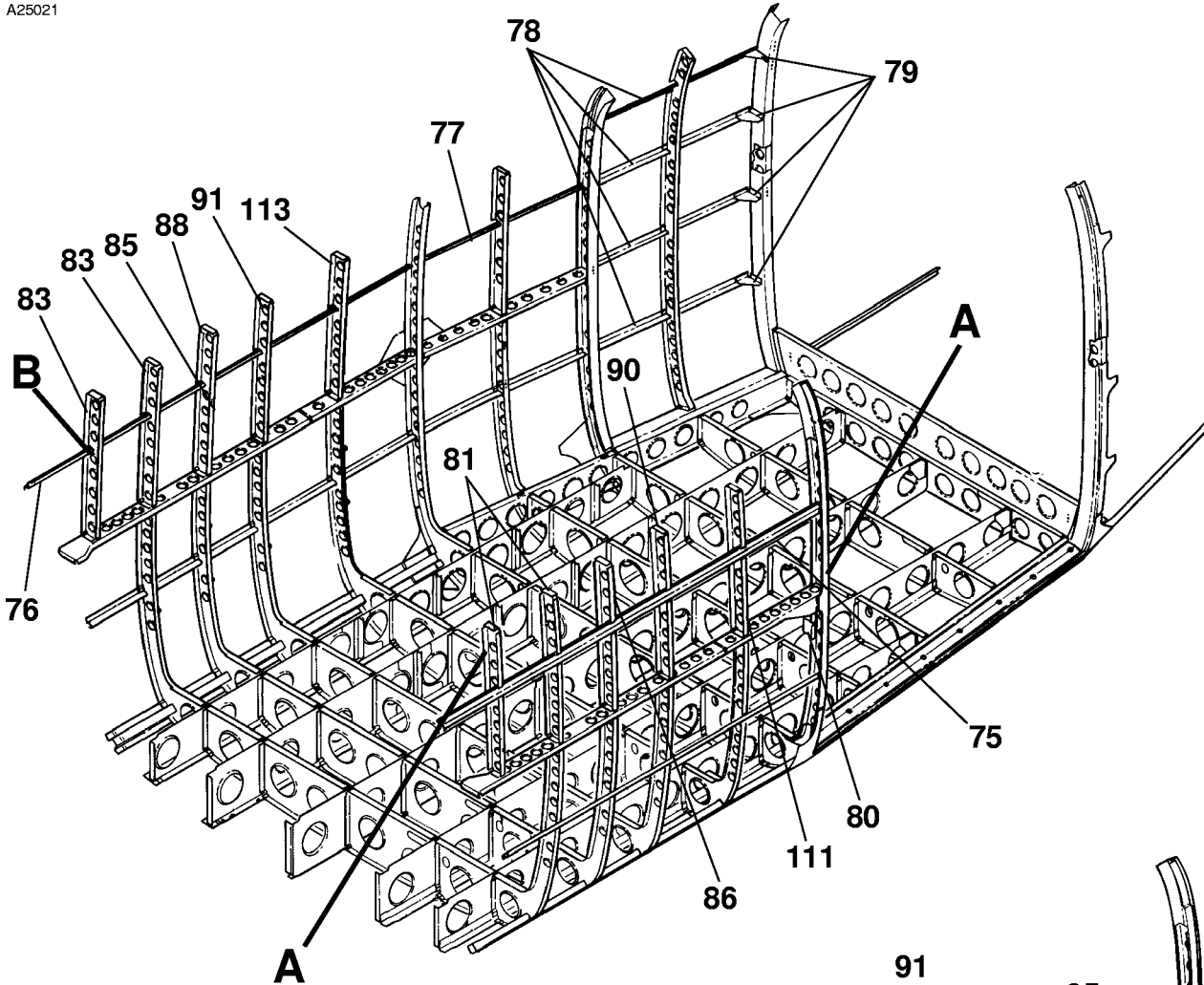
CESSNA®
MODEL 208
ILLUSTRATED PARTS CATALOG

FIG ITEM	PART NUMBER	NOMENCLATURE	UNITS	
			PER	ASSY
02				
-		LOWER CENTER FUSELAGE STRUCTURE	B0001	& ON RF
1	2611041-26	. LONGERON-FWD CTR .040 2024 T42		01
2	2611042-5	. ANGLE-ATTACH CTR .040 2024 T42		01
- 3	2611041-32	. DOUBLER-LONGERON SPLICE .040 2024 T3		01
4	2611041-31	. LONGERON-AFT CTR .040 2024 T42		01
5	2611041-29	. LONGERON-FWD LH BL 13.97 .040 2024 T42		01
6	2611041-30	. LONGERON-FWD RH BL 13.97 .040 2024 T42		01
- 7	MS21069L4	. NUTPLATE ATTACH MLG BAY STIFFENER		08
- 8	MS21086L4	. NUTPLATE ATTACH MLG BAY STIFFENER		04
9	2611042-3	. ANGLE-ATTACH LH .040 2024 T42		01
10	2611042-4	. ANGLE-ATTACH RH .040 2024 T42		01
11	2611041-33	. DOUBLER-LONGERON SPLICE .040 2024 T3		02
12	2611041-45	. LONGERON-AFT LH BL 13.97 .040 2024 T42		01
13	2611041-46	. LONGERON-AFT RH BL 13.97 .040 2024 T42		01
14	2611041-17	. STIFFENER S1662-1		04
15	2611041-18	. STIFFENER S1662-1		02
16	2611041-19	. STIFFENER S1662-1		02
17	2611041-35	. STIFFENER-LWR LH BL 13.97 .100 2024 T42		01
- 18	2611041-36	. STIFFENER-LWR RH BL 13.97 .100 2024 T42		01
19	2611041-27	. LONGERON-FWD LH BL 23.47 .040 2024 T42		01
20	2611041-28	. LONGERON-FWD RH BL 23.47 .040 2024 T42		01
21	2611042-7	. ANGLE-ATTACH LH .040 2024 T42		01
22	2611042-6	. ANGLE-ATTACH RH .040 2024 T42		01
23	2611041-34	. DOUBLER-LONGERON SPLICE .040 2024 T3		01
24	2611041-43	. LONGERON-AFT LH BL 23.47 .040 2024 T42		01
25	2611041-44	. LONGERON-AFT RH BL 23.47 .040 2024 T42		01
26	2611041-20	. STIFFENER S1662-1		04
27	2611041-15	. STIFFENER S1662-1		02
28	2611041-16	. STIFFENER S1662-1		02
29	2611041-37	. STIFFENER-LWR LH BL 23.47 .100 2024 T42		01
- 30	2611041-38	. STIFFENER-LWR RH BL 23.47 .100 2024 T42		01
31	2611192-3	. DOUBLER .040 2024 T3		02
32	2611192-4	. DOUBLER .040 2024 T3		03
		ATTACHING PARTS		
- 33	NAS220-9	. SCREW		02
- 34	NAS1149FN832P	. WASHER		02
- 35	MS21044N08	. NUT		02
		*—		
- 36	2611122-2	. CHANNEL ASSY-RH		01
37	2611122-16	. LONGERON-RH FSO 2611122-20	B0001 B0054	NP
- 38	2611122-20	. LONGERON-RH .063 2024 T42	B0055 & ON	01
39	2611122-4	. CHANNEL-RH .071 2027 T42		01
40	2611122-10	. SUPPORT STA 319.50 .040 2024 T42		01
41	2611122-6	. DOUBLER STA 307.00 TO 332.00 .063 2024 T42		01
42	2611122-14	. DOUBLER STA 282.00 .063 2024 T42		01
43	2611122-17	. ANGLE-ATTACH STA 332.00 .063 2024 T42		01
- 44	2611122-11	. ANGLE-ATTACH STA 307.00 .071 2024 T42		01
45	2611130-4	. SPLICE ASSY		01
- 46	2611130-6	. STIFFENER CM3206-2		01
47	2611133-2	. SPLICE .063 2024 T42		01
48	2611132-2	. PLATE ASSY .063 2024 T42		01
49	2611134-2	. ANGLE .063 2024 T42		01
50	MS21047L08	. NUTPLATE		02
51	MS21059L3	. NUTPLATE		05
52	MS21061L3	. NUTPLATE		02
53	2611023-3	. STIFFENER .050 2024 T42		02
54	2611086-17	. STIFFENER ASSY-LWR LH S283		01
- 55	MS21071L08	. NUTPLATE ATTACH STUD		02
- 56	MS21047L06	. NUTPLATE ATTACH BUMPER		02
57	MS21047L3	. NUTPLATE LEVELING SCREWS		02
58	2611086-12	. STIFFENER-LWR RH S283		01
59	2611017-11	. CHANNEL ASSY-LH		01
60	2611017-12	. CHANNEL ASSY-FWD RH		01
- 61	MS21069L08	. NUTPLATE		04
62	2611055-5	. CHANNEL ASSY-CTR RH		01
- 63	MS21047L08	. NUTPLATE		02
64	2611000-23	. DOUBLER-RH .025 2024 T3		01

- ITEM NOT ILLUSTRATED

CESSNA®
MODEL 208
 ILLUSTRATED PARTS CATALOG

A25021



LOWER CENTER FUSELAGE STRUCTURE
 FIGURE 02 (SHEET 2)

26114002
 A26112008
 B26112007

CESSNA®
MODEL 208
ILLUSTRATED PARTS CATALOG

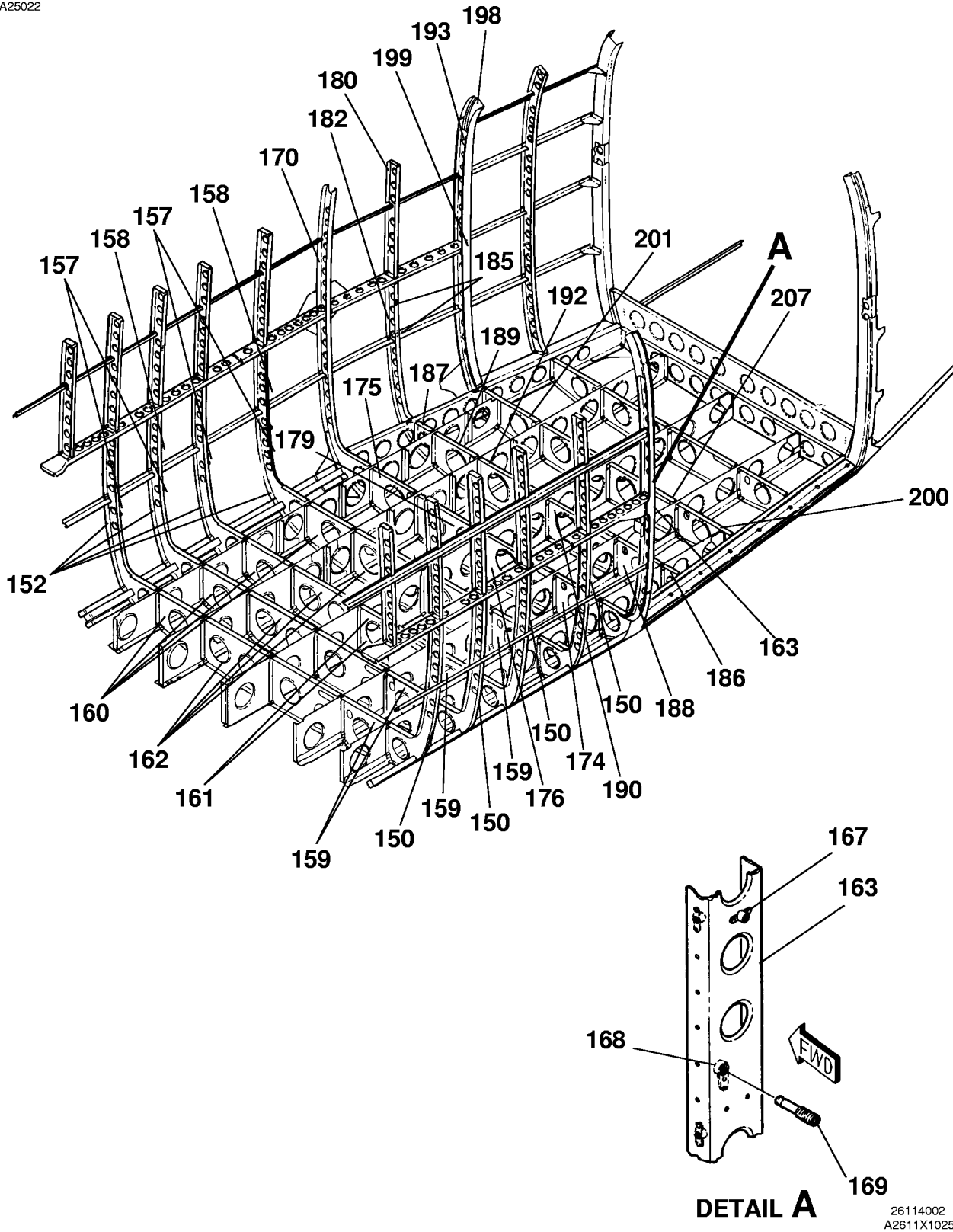
FIG ITEM	PART NUMBER	NOMENCLATURE	UNITS	
			PER	ASSY
02				
75	2611086-9	. STIFFENER-UPR LH NOT APPLICABLE TO PASSENGER VERSION S1662-1		01
76	2611086-10	. STIFFENER-UPR FWD RH NOT APPLICABLE TO PASSENGER VERSION S1662-1		01
77	2611086-4	. STIFFENER-UPR CTR RH NOT APPLICABLE TO PASSENGER VERSION S282		01
78	2611086-8	. STIFFENER- AFT RH NOT APPLICABLE TO PASSENGER VERSION S282		04
79	2611181-1	. CLIP N/A TO PASSENGER VERSION .032 2024 T3		08
80	2611189-7	. BRACKET-SWITCH .040 2024 T42		01
81	2611177-2	. BULKHEAD-UPR LH STA 228.00,237.50 W/O CARGO TIE DOWN NOT APPLICABLE TO PASSENGER VERSION .032 2024 T3		02
- 82	2601247-104	. BULKHEAD-UPR LH STA 228.00,237.50 WITH CARGO TIE DOWN NOT APPLICABLE TO PASSENGER VERSION .032 2024 T42	B0001 B0213	02
83	2611177-1	. BULKHEAD-UPR RH STA 228.00,237.50 W/O CARGO TIE DOWN NOT APPLICABLE TO PASSENGER VERSION .032 2024 T3		02
- 84	2601247-103	. BULKHEAD-UPR LH STA 228.00,237.50 WITH CARGO TIE DOWN NOT APPLICABLE TO PASSENGER VERSION .032 2024 T42	B0001 B0213	02
85	MS21047L08	. NUTPLATE		02
86	2611177-9	. BULKHEAD-UPR LH STA 246.813 W/O CARGO TIE DOWN .032 2024 T3		01
- 87	2601247-104	. BULKHEAD-UPR LH STA 246.813 WITH CARGO TIE DOWN .032 2024 T42	B0214 & ON	01
88	2611177-10	. BULKHEAD-UPR RH STA 246.813 W/O CARGO TIE DOWN .032 2024 T3		01
- 89	2601247-103	. BULKHEAD-UPR RH STA 246.813 WITH CARGO TIE DOWN .032 2024 T42	B0214 & ON	01
90	2611176-7	. BULKHEAD ASSY-UPR LH .032 2024 T42		01
91	2611176-8	. BULKHEAD ASSY-UPR RH .032 2024 T42		01
- 92	MS21047L08	. NUTPLATE		03
93	2611009-3	. STIFFENER-LH PASSENGER VERSION S282	B0214 & ON	01
94	2611009-4	. STIFFENER-RH PASSENGER VERSION S282	B0214 & ON	01
95	2611009-5	. STIFFENER-LH PASSENGER VERSION S282	B0214 & ON	01
96	2611009-6	. STIFFENER-RH PASSENGER VERSION S282	B0214 & ON	01
97	2611086-4	. STIFFENER-RH PASSENGER VERSION S282	B0214 & ON	01
98	2611009-9	. STIFFENER-LH PASSENGER VERSION S282	B0214 & ON	01
99	2611009-8	. STIFFENER-RH PASSENGER VERSION S282	B0214 & ON	01
100	2611181-1	. CLIP PASSENGER VERSION .032 2024 T3	B0214 & ON	01
101	2611159-13	. STIFFENER-LH W/O CARGO TIE DOWN PASSENGER VERSION FSO 2611159-15	B0214 B0312	NP
- 102	2611159-15	. STIFFENER-LH WITH CARGO TIE DOWN PASSENGER VERSION .040 2024 T42	B0214 & ON	01
103	2611159-14	. STIFFENER-RH W/O CARGO TIE DOWN PASSENGER VERSION FSO 2611159-16	B0214 B0312	NP
- 104	2611159-16	. STIFFENER-RH WITH CARGO TIE DOWN PASSENGER VERSION .040 2024 T42	B0214 & ON	01
105	2611159-11	. STIFFENER-LH W/O CARGO TIE DOWN PASSENGER VERSION .040 2024 T42	B0214 & ON	01
- 106	2611159-17	. STIFFENER-LH WITH CARGO TIE DOWN PASSENGER VERSION .040 2024 T42	B0214 & ON	01
107	2611159-10	. STIFFENER-RH W/O CARGO TIE DOWN PASSENGER VERSION .040 2024 T42	B0214 & ON	01
- 108	2611159-18	. STIFFENER-RH WITH CARGO TIE DOWN PASSENGER VERSION .040 2024 T42	B0214 & ON	01
109	2611159-12	. STIFFENER-RH PASSENGER VERSION .040 2024 T42	B0214 & ON	01
110	2611189-7	. BRACKET-SWITCH PASSENGER VERSION .040 2024 T42	B0214 & ON	01
111	2611175-3	. BULKHEAD ASSY-UPR LH STA 269.00 W/O TIE DOWN N/A TO PASSENGER VERSION .032 2024 T42		01
- 112	2601415-43	. BULKHEAD ASSY-UPR LH STA 269.00 WITH TIE DOWN N/A TO PASSENGER VERSION .032 2024 T42	B0214 & ON	01
113	2611175-4	. BULKHEAD ASSY-UPR RH STA 269.00 W/O TIE DOWN N/A TO PASSENGER VERSION .032 2024 T42		01
- 114	2601415-42	. BULKHEAD ASSY-UPR RH STA 269.00 WITH TIE DOWN N/A TO PASSENGER VERSION .032 2024 T42	B0214 & ON	01
- 115	MS21047L08	. NUTPLATE		01

- ITEM NOT ILLUSTRATED

CESSNA®
MODEL 208

ILLUSTRATED PARTS CATALOG

A25022



LOWER CENTER FUSELAGE STRUCTURE
FIGURE 02 (SHEET 3)

26114002
A2611X1025

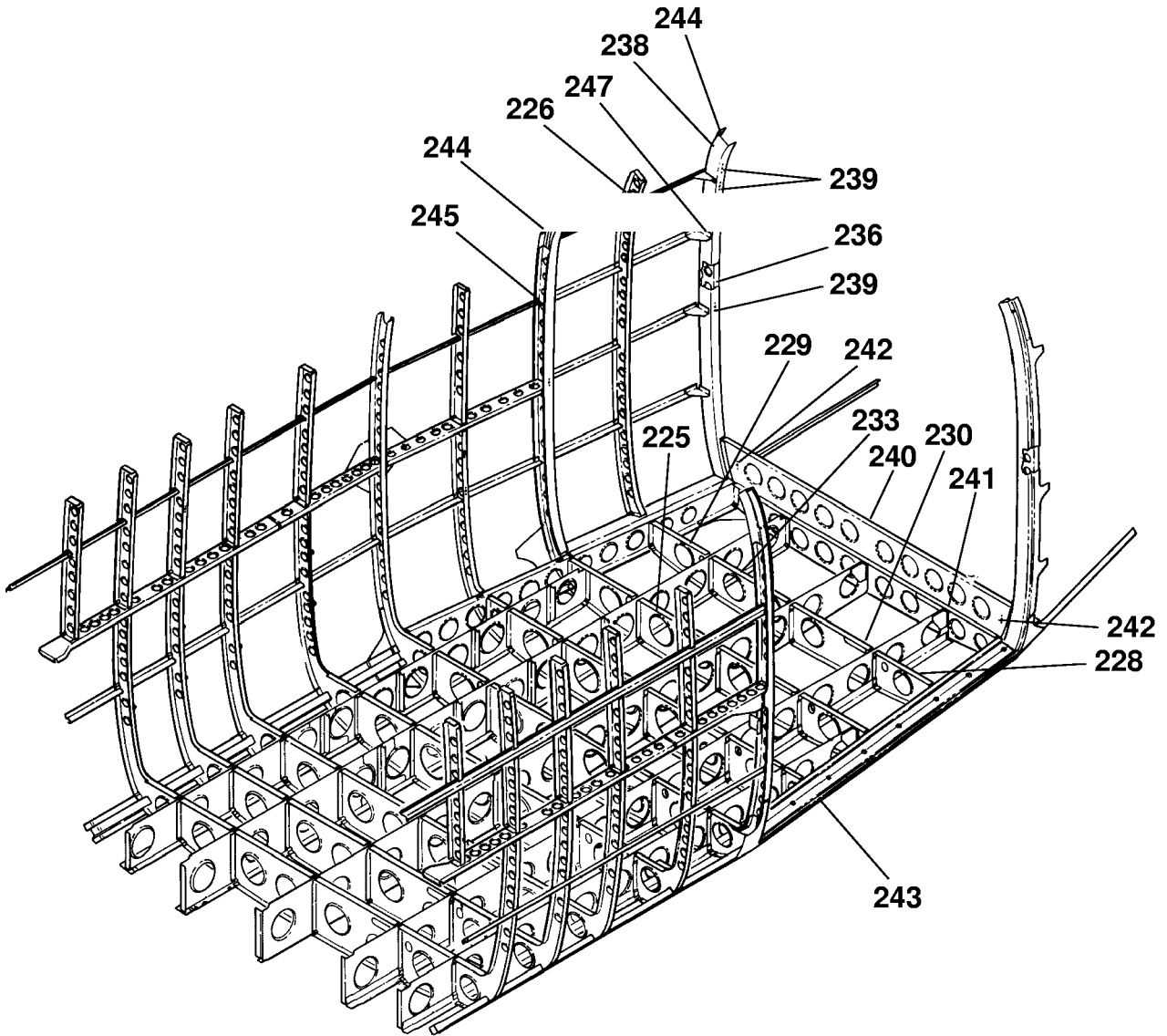
CESSNA®
MODEL 208
ILLUSTRATED PARTS CATALOG

FIG ITEM	PART NUMBER	NOMENCLATURE	UNITS		
			1	2	3
02					
150	2611015-2	. BULKHEAD ASSY-LH OUTBD STA 237.50,246.813, 256.00 AND 269.00	B0001	B0194	04
- 151	2611015-18	. BULKHEAD ASSY-LH OUTBD STA 237.50,246.813, 256.00 AND 269.00	B0195	& ON	04
152	2611015-1	. BULKHEAD ASSY-RH OUTBD STA 237.50,246.813 256.00 AND 269.00	B0001	B0194	04
- 153	2611015-17	. BULKHEAD ASSY-RH OUTBD STA 237.50,246.813 256.00 AND 269.00	B0195	& ON	04
- 154	2611015-5 SUPPORT-FLOORBOARD .040 2024 T3	B0001	B0194	01
- 155	2611015-15 SUPPORT-FLOORBOARD LH .040 2024 T42	B0195	& ON	01
- 156	2611015-16 SUPPORT-FLOORBOARD RH .040 2024 T42	B0195	& ON	01
157	AN256-8 NUTPLATE			02
158	AN256-8 NUTPLATE			04
159	2611019-18	. BULKHEAD-LH STA 237.50,246.813,256.00 & 269 .040 2024 T3			04
160	2611019-10	. BULKHEAD-RH STA 237.50,246.813,256.00 & 269			04
161	2611029-21	. BULKHEAD-LH CTR STA 237.50,246.813,256.00 & 269.00 .040 2024 T3	B0001	B5436	04 R
- 161A	2611029-22	. BULKHEAD-LH CTR STA 237.50,246.813,256.00 & 269.00 .040 2024 T3	B5437	& ON	04 R
162	2611029-2	. BULKHEAD-RH CTR STA 237.50,246.813,256.00 & 269.00 .040 2024 T3			04
163	2611053-5	. BULKHEAD ASSY-LH OUTBD STA 282.00			01
- 164	2611053-7 ANGLE-SPLICE .050 6061 T6			01
- 165	MS21047L08 NUTPLATE			05
- 166	MS21051L08 NUTPLATE			01
167	MS21047L3 NUTPLATE			01
168	MS21051L5 NUTPLATE			01
169	2611187-1 ADJUSTING SCREW .312DIA 4130 90K			01
170	2611053-2	. BULKHEAD ASSY-RH OUTBD STA 282.00 FSO 2611053-12	B0001	B0213	NP
- 170A	2611053-8	. BULKHEAD ASSY-RH OUTBD STA 282.00 FSO 2611053-12	B0214	B0850	NP
- 170B	2611053-12	. BULKHEAD ASSY-RH OUTBD STA 282.00	B0851	& ON	01
- 171	2611053-6 ANGLE-SPLICE .050 6061 T6	B0001	B0850	01
- 171A	2611053-11 ANGLE-SPLICE .050 6061 T6	B0851	& ON	01
- 172	MS21047L08 NUTPLATE			05
- 173	MS21051L08 NUTPLATE			01
174	2611019-7	. BULKHEAD-LH STA 282.00 .040 2024 T3			01
175	2611019-8	. BULKHEAD-RH STA 282.00 .040 2024 T3			01
176	2611029-17	. BULKHEAD-LH CTR STA 282.00	B0001	B5436	01 R
- 176A	2611029-22	. BULKHEAD-LH CTR STA 282.00	B5437	& ON	01 R
- 177	2611223-1 ANGLE-STIFFENER S291			01
- 178	MS21047L3 NUTPLATE			02
179	2611029-4	. BULKHEAD-RH CTR STA 282.00 .040 2024 T3			01
180	2611174-3	. BULKHEAD ASSY-UPR RH STA 294.50 N/A TO PASSENGER VERSION .032 2024 T42			01
- 181	MS21047L08 NUTPLATE			01
182	2611056-20	. BULKHEAD ASSY-RH OUTBD STA 294.50			01
- 183	2611053-10 SUPPORT-FLOORBOARD .040 2024 T42			01
- 184	MS21047L08 NUTPLATE			01
185	MS21047L08 NUTPLATE			02
186	2611073-1	. BULKHEAD-LH STA 294.50 .040 2024 T42			01
187	2611073-2	. BULKHEAD-RH STA 294.50 .040 2024 T42			01
188	2611034-1	. BULKHEAD-LH STA 294.50 .040 2024 T3			01
189	2611034-2	. BULKHEAD-RH STA 294.50 .040 2024 T3			01
190	2611029-19	. BULKHEAD-LH CTR STA 294.50			01
- 191	2611223-1 ANGLE-STIFFENER S291			01
192	2611029-6	. BULKHEAD-RH CTR STA 294.50 .040 2024 T3			01
193	2611056-12	. BULKHEAD ASSY-RH OUTBD STA 307.00	B0001	B0213	01
- 193A	2611056-15	. BULKHEAD ASSY-RH OUTBD STA 307.00 FSO 2611056-22	B0214	B0850	NP
- 193B	2611056-22	. BULKHEAD ASSY-RH OUTBD STA 307.00	B0851	& ON	01
- 194	2611056-5 ANGLE-SPLICE .050 6061 T6	B0001	B0850	01
- 194A	2611056-21 ANGLE-SPLICE .050 6061 T6	B0851	& ON	01
- 195	MS21047L08 NUTPLATE			05
- 196	MS21051L08 NUTPLATE			01
- 197	MS21051L5 NUTPLATE			05
198	2611078-6	. JAMB ASSY-STA 307.00 NOT APPLICABLE TO PASSENGER VERSION			01
199	MS21047L08 NUTPLATE			01
200	2611034-5	. BULKHEAD ASSY-LH FS 307.00 FSO 2611034-11	B0001	B0262	NP
- 200A	2611034-11	. BULKHEAD ASSY-LH FS 307.00	B0263	B5206	01
- 200B	2611034-15	. BULKHEAD ASSY-RH FS 307.00	B5207	& ON	01
201	2611034-6	. BULKHEAD ASSY-RH FS 307.00			01
- 202	MS21047L3 NUTPLATE			01
- 202A	NAS682A3 NUTPLATE			01
- 203	2611034-7	. DOUBLER-LH FSO 2611034-9	B0001	B0054	NP
- 204	2611034-9	. DOUBLER-LH .040 2024 T3	B0055	& ON	01
- 205	2611034-8	. DOUBLER-RH FSO 2611034-10	B0001	B0054	NP
- 206	2611034-10	. DOUBLER-RH .040 2024 T3	B0055	& ON	01
207	2611225-2	. BULKHEAD-LH CTR STA 307.00			01
- 208	2611225-3 STIFFENER S283			01
- 209	2611224-1 ANGLE-STIFFENER S291			01
- 210	MS21047L3 NUTPLATE			02

- ITEM NOT ILLUSTRATED

CESSNA®
MODEL 208
ILLUSTRATED PARTS CATALOG

A24779



26114002

LOWER CENTER FUSELAGE STRUCTURE
FIGURE 02 (SHEET 4)

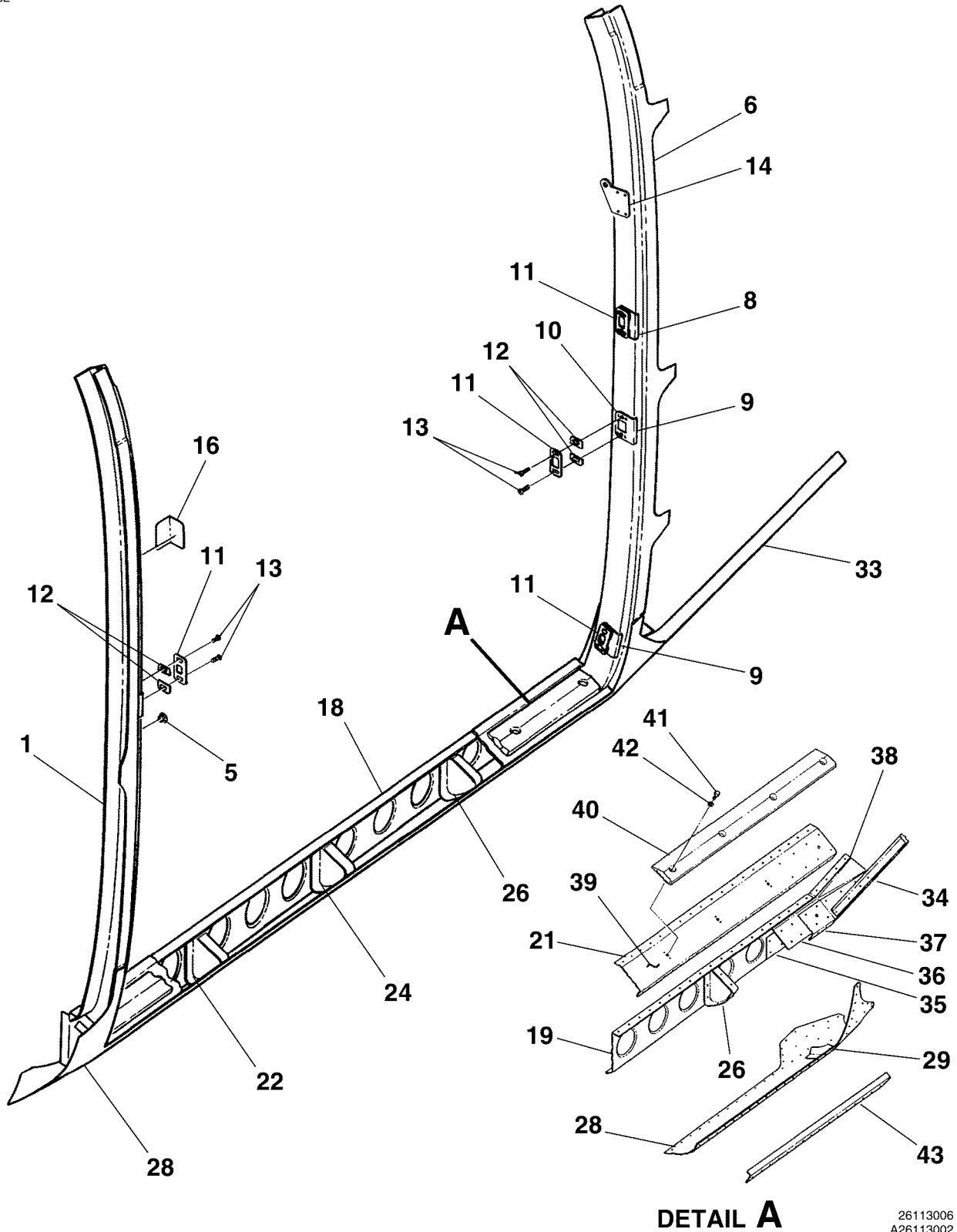
CESSNA®
MODEL 208
 ILLUSTRATED PARTS CATALOG

FIG ITEM	PART NUMBER	NOMENCLATURE	1 2 3 4 5 6 7							UNITS PER ASSY
02										
225	2611027-2	. BULKHEAD-RH CTR 307.00 .040 2024 T3								01
226	2611180-2	. BULKHEAD ASSY-RH 319.50 NOT APPLICABLE TO PASSENGER VERSION .032 2024 T42								01
- 227	MS21047L08	. . NUTPLATE								05
228	2611035-1	. BULKHEAD-LH OUTBD STA 319.50 .040 2024 T42								01
229	2611035-2	. BULKHEAD-RH OUTBD STA 319.50 .040 2024 T42								01
230	2611226-2	. BULKHEAD-LH CTR STA 319.50								01
- 231	2611226-3	. . STIFFENER S283								01
- 232	2611224-1	. . ANGLE-STIFFENER S291								01
233	2611027-4	. BULKHEAD-RH CTR STA 319.50 .040 2024 T3								01
- 234	2611120-3	. BULKHEAD ASSY-LH OUTBD STA 332.00 .040 2024 T42								01
- 235	MS21047L08	. . NUTPLATE								05
236	2611120-4	. BULKHEAD ASSY-RH OUTBD STA 332.00 .040 2024 T42								01
- 237	MS21047L08	. . NUTPLATE								04
238	2611121-2	. JAMB ASSY-RH STA 332.00								01
239	MS21047L08	. . NUTPLATE 3 LH & 3 RH								06
240	2611131-5	. BULKHEAD ASSY-LWR STA 332.00								01
241	2611131-3	. . STIFFENER .040 2024 T3								01
242	MS21047L3	. . NUTPLATE								16
243		. CARGO DOOR JAMB STRUCTURE REFER TO 53-13-02 FIGURE 01								RF
244		. PASSENGER DOOR JAMB STRUCTURE PASSENGER VERSION REFER TO 53-13-02 FIGURE 02								RF
245	2611171-2	. STIFFENER ASSY PASSENGER VERSION .040 2024 T42						B0214	& ON	01
- 246	MS21047L08	. . NUTPLATE								01
247	2611170-2	. STIFFENER ASSY PASSENGER VERSION .040 2024 T42						B0214	& ON	01
- 248	MS21047L08	. . NUTPLATE								01

- ITEM NOT ILLUSTRATED

CESSNA®
MODEL 208
ILLUSTRATED PARTS CATALOG

A24782



CARGO DOOR JAMB STRUCTURE
FIGURE 01 (SHEET 1)

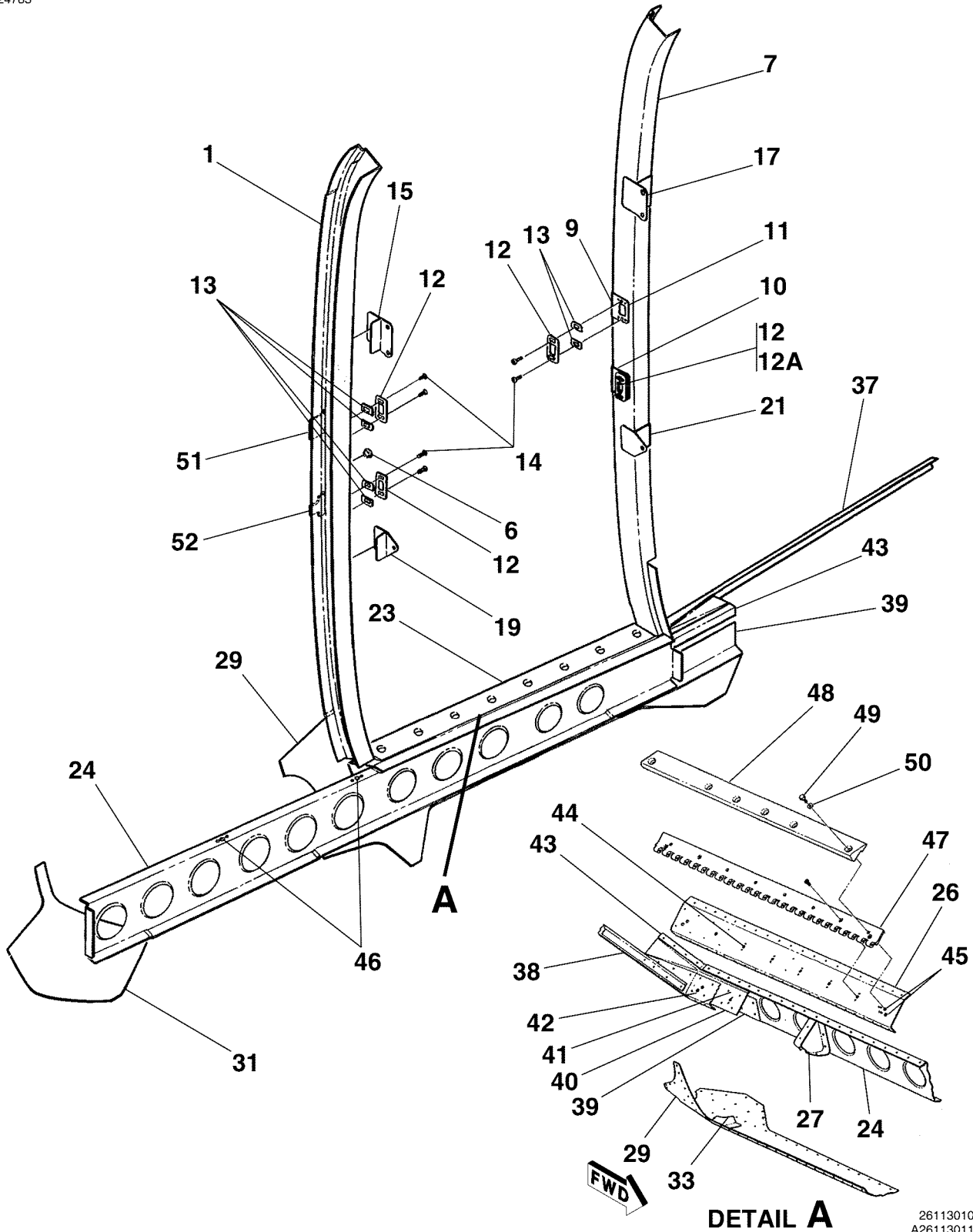
CESSNA®
MODEL 208
ILLUSTRATED PARTS CATALOG

FIG ITEM	PART NUMBER	NOMENCLATURE	1 2 3 4 5 6 7							UNITS PER ASSY
01		CARGO DOOR JAMB STRUCTURE								RF
-										
1	2611078-1	. DOOR JAMB ASSY STA 234.00 208								01
- 2	2611078-1	. DOOR JAMB ASSY STA 282.00 208B								01
- 3	2611183-1	. BUMPER-DOOR LATCH PIN .032 4130 150K								01
- 4	MS21047L3	. NUTPLATE								02
5	CM2692-16K2S	. PLUG BUTTON								01
6	2611121-1	. DOOR JAMB ASSY-LH STA 284.00 208								01
- 7	2611121-1	. DOOR JAMB ASSY-LH STA 332.00 208B								01
8	2611183-1	. BUMPER-DOOR LATCH PIN .032 4130 150K								01
9	2611183-2	. BUMPER-DOOR LATCH PIN .032 4130 150K								02
10	MS21047L3	. NUTPLATE								06
11	2617039-1	. LATCH PLATE .125 4130 90K								04
		ATTACHING PARTS								
12	2617040-1	. SHIM 9.00X11.00 ALUM OXIDE 280J								02
13	MS24694-S50	. SCREW								02
		—*—								
14	2617084-1	. ATTACH BRACKET-SPRING STA 284.00 208 S1970-1								01
- 15	2617084-1	. ATTACH BRACKET-SPRING STA 332.00 208B S1970-1								01
16	2617084-2	. ATTACH BRACKET-SPRING STA 234.00 208 S1970-1								01
- 17	2617084-2	. ATTACH BRACKET-SPRING STA 332.00 208B S1970-1								01
18	2611122-1	. CHANNEL ASSY-DOOR JAMB								01
19	2611122-15	. LONGERON FSO 2611122-19								01
										0001 0133 NP B0001 B0054 0134 & ON B0044 & ON
- 20	2611122-19	. LONGERON .063 2024 T42								01
21	2611122-3	. CHANNEL .071 2024 T42								01
22	2611122-5	. SUPPORT STA 246.50 208 .040 2024 T42								01
- 23	2611122-5	. SUPPORT STA 294.50 208B .040 2024 T42								01
24	2611122-7	. SUPPORT STA 259.00 208 .040 2024 T42								01
- 25	2611122-7	. SUPPORT STA 307.00 208B .040 2024 T42								01
26	2611122-9	. SUPPORT STA 271.50 208 .040 2024 T42								01
- 27	2611122-9	. SUPPORT STA 319.00 208B .040 2024 T42								01
28	2611122-13	. DOUBLER .063 2024 T42								01
29	2611122-18	. ANGLE STA 284.00 208 .063 2024 T42								01
- 30	2611122-18	. ANGLE STA 332.00 208B .063 2024 T42								01
- 31	2611122-11	. ANGLE STA 234.00 208 .071 2024 T42								01
- 32	2611122-11	. ANGLE STA 282.00 208B .071 2024 T42								01
33	2611130-3	. SPLICE ASSY								01
34	2611130-5	. STIFFENER								01
35	2611133-1	. SPLICE CM3206-2								01
36	2611132-1	. PLATE ASSY .063 2024 T42								01
37	MS21061L3	. NUTPLATE								01
38	2611134-1	. ANGLE .063 2024 T42								01
39	MS21059L3	. NUTPLATE								07 R
40	2611063-1	. STEP TREAD ASSY								01
		ATTACHING PARTS								
41	AN3-6A	. BOLT								08
42	NAS1149F0332P	. WASHER								08
		—*—								
43	2611062-1	. BUMPER ANGLE .025 302 ANNEALED								01

- ITEM NOT ILLUSTRATED

CESSNA®
MODEL 208
 ILLUSTRATED PARTS CATALOG

A24783



PASSENGER DOOR JAMB STRUCTURE PASSENGER VERSION
 FIGURE 02 (SHEET 1)

26113010
 A26113011

CESSNA®
MODEL 208
ILLUSTRATED PARTS CATALOG

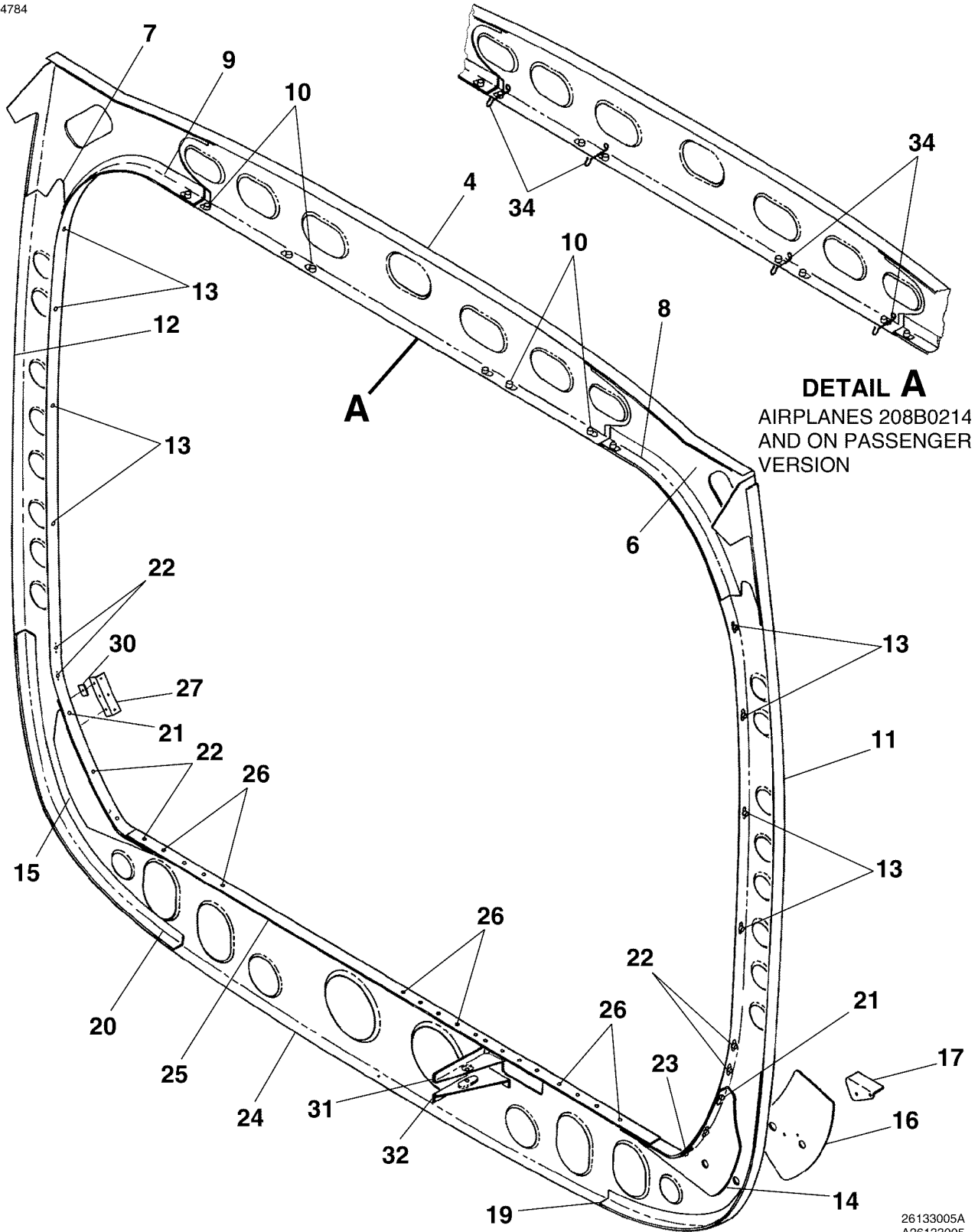
FIG ITEM	PART NUMBER	NOMENCLATURE	UNITS PER ASSY		
			1	2	3
02		PASSENGER DOOR JAMB STRUCTURE PASSENGER VERSION	0001	& ON	RF
-			B0214	& ON	
1	2611078-3	DOOR JAMB ASSY STA 259.00	0001	& ON	01
- 2	2611078-6	DOOR JAMB ASSY STA 307.00 PASSENGER VERSION	B0214	& ON	01
- 3	2611183-1	BUMPER-DOOR LATCH PIN UPR .032 4130 150K			01
- 4	2611183-2	BUMPER-DOOR LATCH PIN LWR .032 4130 150K			01
- 5	MS21047L3	NUTPLATE			04
6	CM2692-16K2S	PLUG BUTTON			01
7	2611121-2	DOOR JAMB ASSY-RH STA 284.00	0001	& ON	01
- 8	2611121-2	DOOR JAMB ASSY-RH STA 332.00 PASSENGER VERSION	B0214	& ON	01
9	2611183-1	BUMPER-DOOR LATCH PIN UPR .032 4130 150K			01
10	2611183-2	BUMPER-DOOR LATCH PIN LWR .032 4130 150K			01
11	MS21047L3	NUTPLATE			04
12	2617039-1	LATCH PLATE .125 4130 90K			04
12A	DDA06327-1	LATCH PLATE REF 2611001 REFER TO NOTE 1	B2296	B2296	01 R
		ATTACHING PARTS			
13	2617040-1	SHIM 9.00X11.00 ALUM OXIDE 280J			02
14	AN509-10RB	SCREW			02 R
		*-			
15	2617075-2	ATTACH BRACKET-UPR STA 259.00 S1970-1	0001	& ON	01
- 16	2617075-2	ATTACH BRACKET-UPR STA 307.00 PASSENGER VERSION S1970-1	B0214	& ON	01
17	2617075-1	ATTACH BRACKET-UPR STA 284.00 S1970-1	0001	& ON	01
- 18	2617075-1	ATTACH BRACKET-UPR STA 332.00 PASSENGER VERSION S1970-1	B0214	& ON	01
19	2617065-3	ATTACH BRACKET-LWR STA 259.00 S1970-1	0001	& ON	01
- 20	2617065-3	ATTACH BRACKET-LWR STA 307.00 PASSENGER VERSION S1970-1	B0214	& ON	01
21	2617065-1	ATTACH BRACKET-LWR STA 284.00 S1970-1	0001	& ON	01
- 22	2617065-1	ATTACH BRACKET-LWR STA 332.00 PASSENGER VERSION S1970-1	B0214	& ON	01
23	2611122-2	CHANNEL ASSY-DOOR JAMB			01
24	2611122-16	LONGERON FSO 2611122-20	0001	0133	NP
- 25	2611122-20	LONGERON .063 2024 T42	0134	& ON	01
26	2611122-4	CHANNEL .071 2024 T42			01
27	2611122-10	SUPPORT STA 271.50 .040 2024 T42	0001	& ON	01
- 28	2611122-10	SUPPORT STA 319.50 PASSENGER VERSION .040 2024 T42	B0214	& ON	01
29	2611122-6	SUPPORT STA 259.00 TO STA 284.00 .063 2024 T42	0001	& ON	01
- 30	2611122-6	SUPPORT STA 307.00 TO STA 332.00 PASSENGER VERSION .063 2024 T42	B0214	& ON	01
31	2611122-14	DOUBLER STA 234.00 .063 2024 T42	0001	& ON	01
- 32	2611122-14	DOUBLER STA 282.00 PASSENGER VERSION .063 2024 T42	B0214	& ON	00
33	2611122-17	ATTACH ANGLE STA 284.00 .063 2024 T42	0001	& ON	01
- 34	2611122-17	ATTACH ANGLE STA 332.00 PASSENGER VERSION .063 2024 T42	B0214	& ON	01
- 35	2611122-11	ATTACH ANGLE STA 259.00 .071 2024 T42	0001	& ON	01
- 36	2611122-11	ATTACH ANGLE STA 307.00 PASSENGER VERSION .071 2024 T42	B0214	& ON	01
37	2611130-4	SPLICE ASSY			01
38	2611130-6	STIFFENER CM3206-2			01
39	2611133-2	SPLICE .063 2024 T42			01
40	2611132-2	PLATE ASSY .063 2024 T42			01
41	MS21059L3	NUTPLATE			01
42	MS21061L3	NUTPLATE			02
43	2611134-2	ANGLE .063 2024 T42			01
44	MS21059L3	NUTPLATE			05
45	MS21061L3	NUTPLATE			02
46	MS21047L08	NUTPLATE			02
47		HINGE HALF-PASSENGER DOOR REFER TO 53-10-02 FIGURE 01			RF
48	2611064-1	STEP TREAD ASSY			01
		ATTACHING PARTS			
49	AN3-6A	BOLT			06
50	NAS1149F0332P	WASHER			06
		*-			
51	2613340-1	BUMPER-DOOR LATCH BOLT .032 4130 90K			01
52	2613340-2	BUMPER-DOOR LATCH BOLT .032 4130 90K			01

NOTE 1—WHEN ORDERING DDA PART NUMBERS, ALSO PROVIDE REFERENCE DRAWING NUMBER SHOWN IN NOMENCLATURE COLUMN.

R

CESSNA®
MODEL 208
ILLUSTRATED PARTS CATALOG

A24784



DETAIL A
AIRPLANES 208B0214
AND ON PASSENGER
VERSION

BULKHEAD ASSEMBLY - FS 166.45
FIGURE 01 (SHEET 1)

26133005A
A26133005

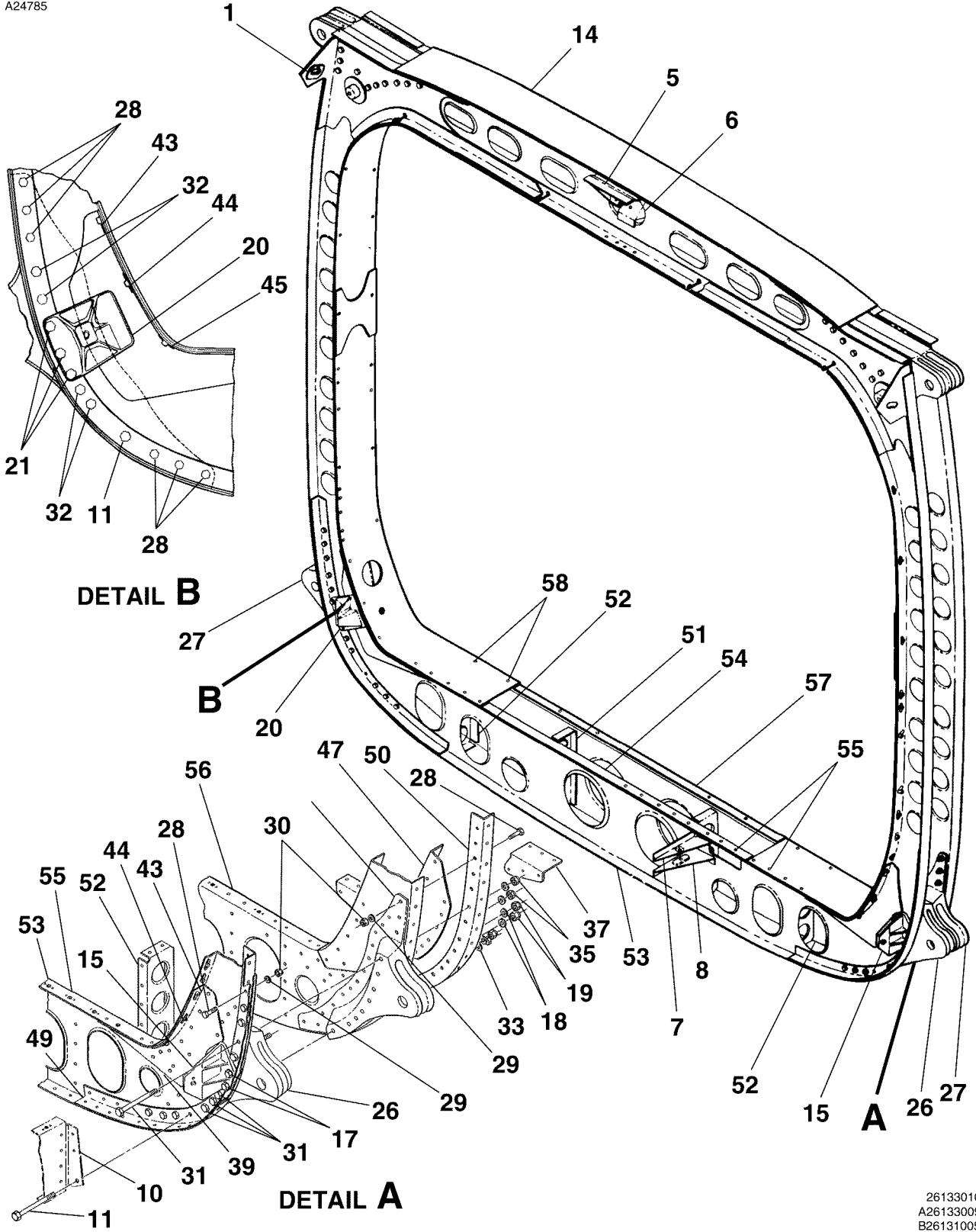
CESSNA®
MODEL 208
ILLUSTRATED PARTS CATALOG

FIG ITEM	PART NUMBER	NOMENCLATURE	UNITS PER ASSY	
			1 2 3 4 5 6 7	
01		BULKHEAD ASSEMBLY - FS 166.45		RF R
-				
- 1	2611010-1	. BULKHEAD ASSY-STA 166.45 FSO 2611010-22	B0001	B0279 NP
- 2	2611010-20	. BULKHEAD ASSY- STA 166.45 FSO 2611010-22	B0280	B0345 NP
- 3	2611010-22	. BULKHEAD ASSY- STA 166.45	B0346	B1199 01
- 3A	2611010-23	. BULKHEAD ASSY-STA 166.45	B1200	& ON 01
4	2611010-2	. BULKHEAD-UPR FSO 2611010-21	B0001	B0279 NP
- 5	2611010-21	. BULKHEAD-UPR .080 2024 T42	B0280	& ON 01
6	2611010-7	. SPLICE-UPR LH .071 2024 T42		01
7	2611010-8	. SPLICE-UPR RH .071 2024 T42		01
8	2611010-13	. STIFFENER-UPR LH .071 2024 T42		01
9	2611010-14	. STIFFENER-UPR RH .071 2024 T42		01
10	NAS6977A4	. NUTPLATE		08
11	2611010-3	. BULKHEAD-LH .080 2024 T42		01
12	2611010-4	. BULKHEAD-RH .080 2024 T42		01
13	MS21047L08	. NUTPLATE		08
14	2611010-9	. SPLICE-LWR FWD LH .071 2024 T42		01
15	2611010-10	. SPLICE-LWR FWD RH .071 2024 T42		01
16	2611010-11	. SPLICE PLATE- LWR .071 2024 T3		02
17	2611059-7	. ANGLE-ATTACH LH .040 2024 T3		01
- 18	2611059-8	. ANGLE-ATTACH RH .040 2024 T3		01
19	2611010-15	. STIFFENER-LWR LH .071 2027 T42		01
20	2611010-16	. STIFFENER-LWR RH .071 2024 T42		01
21	NAS682A3	. NUTPLATE		02
22	MS21047L3	. NUTPLATE		08
23	MS21069L3	. NUTPLATE		02
24	2611010-17	. BULKHEAD ASSY-LWR		01
25	2611010-19	. . SPACER .080 2024 T3		01
26	MS21047L3	. NUTPLATE		17
27	2613334-46	. ANGLE ASSY-ATTACH RH .063 2024 T3	B0346	& ON 01
- 28	2613334-45	. ANGLE ASSY-ATTACH LH .063 2024 T3	B0346	& ON 01
- 29	MS21069L3	. NUTPLATE	B0346	& ON 03
30	2613334-26	. SPACER .071 2024 T3	B0346	& ON 02
31	2611149-3	. BRACKET-PULLEY UPR RUDDER .040 2024 T42		01
32	2611149-1	. BRACKET ASSY-PULLEY LWR RUDDER .040 2024 T42		01
- 33	MS21047L4	. NUTPLATE		01
34	2615030-3	. HANGER-UPHOLSTERY 208B PASSENGER VERSION .059DIA 1090 STRAIGHT	B0214	& ON 04

- ITEM NOT ILLUSTRATED

CESSNA®
MODEL 208
 ILLUSTRATED PARTS CATALOG

A24785



FORWARD CARRY THRU STRUCTURE
 FIGURE 02 (SHEET 1)

26133010
 A26133009
 B26131005

CESSNA®
MODEL 208
ILLUSTRATED PARTS CATALOG

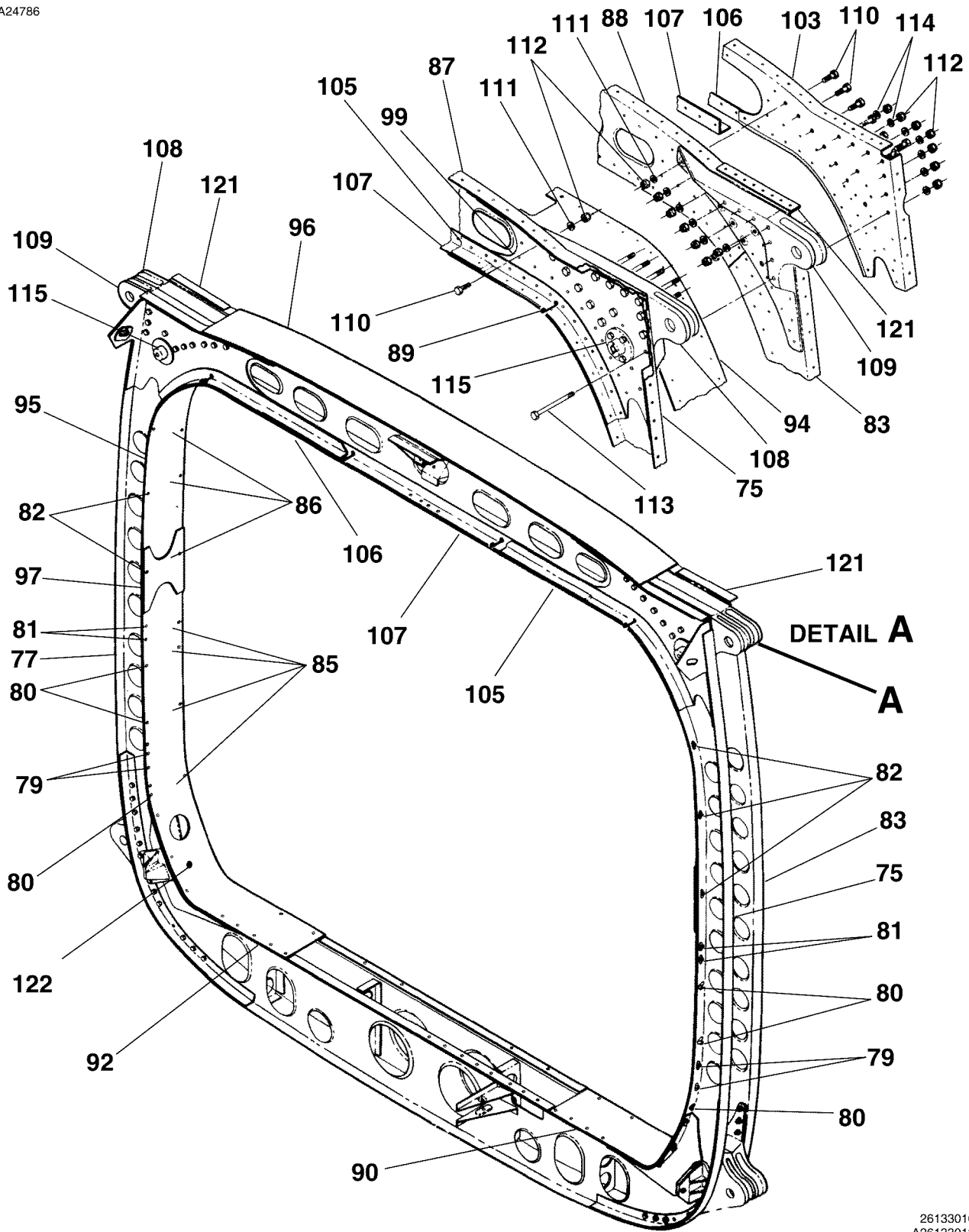
FIG ITEM	PART NUMBER	NOMENCLATURE	UNITS	
			PER ASSY	
02		FORWARD CARRY THRU STRUCTURE		RF
- 1	2660046-1	. RETAINER-CABLE .050 2024 T3		02
- 2	2660046-2	. SEAL .062 FIBERGLASS COATED		02
- 3	AN3-6A	. BOLT-SEAL ATTACH		03
- 4	MS21044N3	. NUT-SEAL ATTACH		03
5	2660045-1	. BRACKET ASSY-QUADRANT UPR	0001 0243	01
- 5A	2660045-4	. BRACKET ASSY-QUADRANT UPR	0244 & ON	01
6	2660026-3	. BRACKET-QUADRANT LWR		01
7	2611149-3	. PULLEY BRACKET-UPR .040 2024 T42		01
8	2611149-1	. PULLEY BRACKET ASSY-LWR .040 2024 T42		01
- 9	MS21047L4	. NUTPLATE		01
10		. LOWER FORWARD FUSELAGE STRUCTURE REFER TO 53-11-00 FIGURE 01		RF
11	AN174-30A	. BOLT		02
- 12	NAS1149F0432P	. WASHER		02
- 13	MS21044N4	. NUT		02
14	2611011-1	. BULKHEAD ASSY-FWD CARRY THRU	0001 0403	01
- 14A	2611011-70	. BULKHEAD ASSY-FWD CARRY THRU	0404 & ON	01
15	2611172-1	. BRACKET ASSY-PULLEY LWR LH FSO 2611193-1	0001 0403	NP
- 16	2611193-1	. BRACKET ASSY-PULLEY LWR LH	0404 & ON	01
17	AN174-30A	. BOLT		02
18	NAS1149F0432P	. WASHER		02
19	MS21044N4	. NUT		02
20	2611185-1	. MOUNT ASSY-RH AILERON PULLEY LWR		01
21	AN174-31A	. BOLT		03
- 22	NAS1149F0432P	. WASHER		06
- 23	MS21044N4	. NUT		03
- 24	MS21209F4-20	. INSERT		01
- 25	S2614-4-13	. BUSHING		01
26	2611113-5	. FITTING-STRUT ATTACH - LH AFT, RH FWD		02
27	2611113-6	. FITTING-STRUT ATTACH - LH FWD, RH AFT		02
		ATTACHING PARTS		
28	AN173-6A	. BOLT		06
29	NAS1149F0363P	. WASHER		12
30	MS21044N3	. NUT		06
31	AN174-30A	. BOLT LH		05
32	AN174-30A	. BOLT RH		04
33	NAS1149F0432P	. WASHER LH		05
- 34	NAS1149F0432P	. WASHER RH		04
35	MS21044N4	. NUT LH		05
- 36	MS21044N4	. NUT RH		04
		—*—		
37	2611059-5	. ANGLE-ATTACH LH .040 2024 T3		01
- 38	2611059-6	. ANGLE-ATTACH RH .040 2024 T3		01
39	2611020-3	. SPLICE ASSY-LWR LH FWD	0001 0403	01
- 40	2611020-7	. SPLICE ASSY-LWR LH FWD .071 2024 T42 FSO 2611020-13	0123 0403	NP
- 40A	2611020-13	. SPLICE ASSY-LWR LH FWD .071 2024 T42	0404 & ON	01
- 41	2611020-4	. SPLICE ASSY-LWR RH FWD FSO 2611020-8	0001 0403	01
- 42	2611020-8	. SPLICE ASSY-LWR RH FWD .071 2027 T42 FSO 2611020-14	0123 0379	01
- 42A	2611020-14	. SPLICE ASSY-LWR RH FWD .071 2027 T42	0404 & ON	01
43	NAS682A3	. NUTPLATE		01
44	MS21047L3	. NUTPLATE		02
45	MS21047L3	. NUTPLATE	0001 0122	01
- 46	MS21069L3	. NUTPLATE	0123 & ON	01
47	2611020-2	. SPLICE-LWR LH AFT .071 2024 T42 FSO 2611020-12	0001 0403	01
- 47A	2611020-12	. SPLICE-LWR LH AFT .071 2024 T42	0404 & ON	01
- 48	2611020-1	. SPLICE-LWR RH AFT .071 2024 T42 FSO 2611020-11	0001 0403	01
- 48A	2611020-11	. SPLICE-LWR RH AFT .071 2024 T42	0404 & ON	01
49	2611011-21	. STIFFENER-LWR LH FWD & LWR RH AFT .071 2024 T42		02
50	2611011-22	. STIFFENER-LWR LH AFT & LWR RH FWD .071 2024 T42		02
51	2611077-1	. INTERCOSTAL BULKHEAD BL 8.00 .063 2024 T42		02
52	2611076-1	. INTERCOSTAL BULKHEAD BL 19.00 .063 2024 T42		02
53	2611011-17	. BULKHEAD ASSY-LWR STA 166.45		01
54	2611011-30	. SPACER .032 2024 T3		01
55	MS21047L3	. NUTPLATE		17
56	2611011-18	. BULKHEAD ASSY-LWR STA 168.70		01
57	2611011-31	. SPACER .032 2024 T3		01
58	MS21047L3	. NUTPLATE		13

- ITEM NOT ILLUSTRATED

CESSNA®
MODEL 208

ILLUSTRATED PARTS CATALOG

A24786



FORWARD CARRY THRU STRUCTURE
FIGURE 02 (SHEET 2)

26133010
A26133012

**CESSNA®
MODEL 208
ILLUSTRATED PARTS CATALOG**

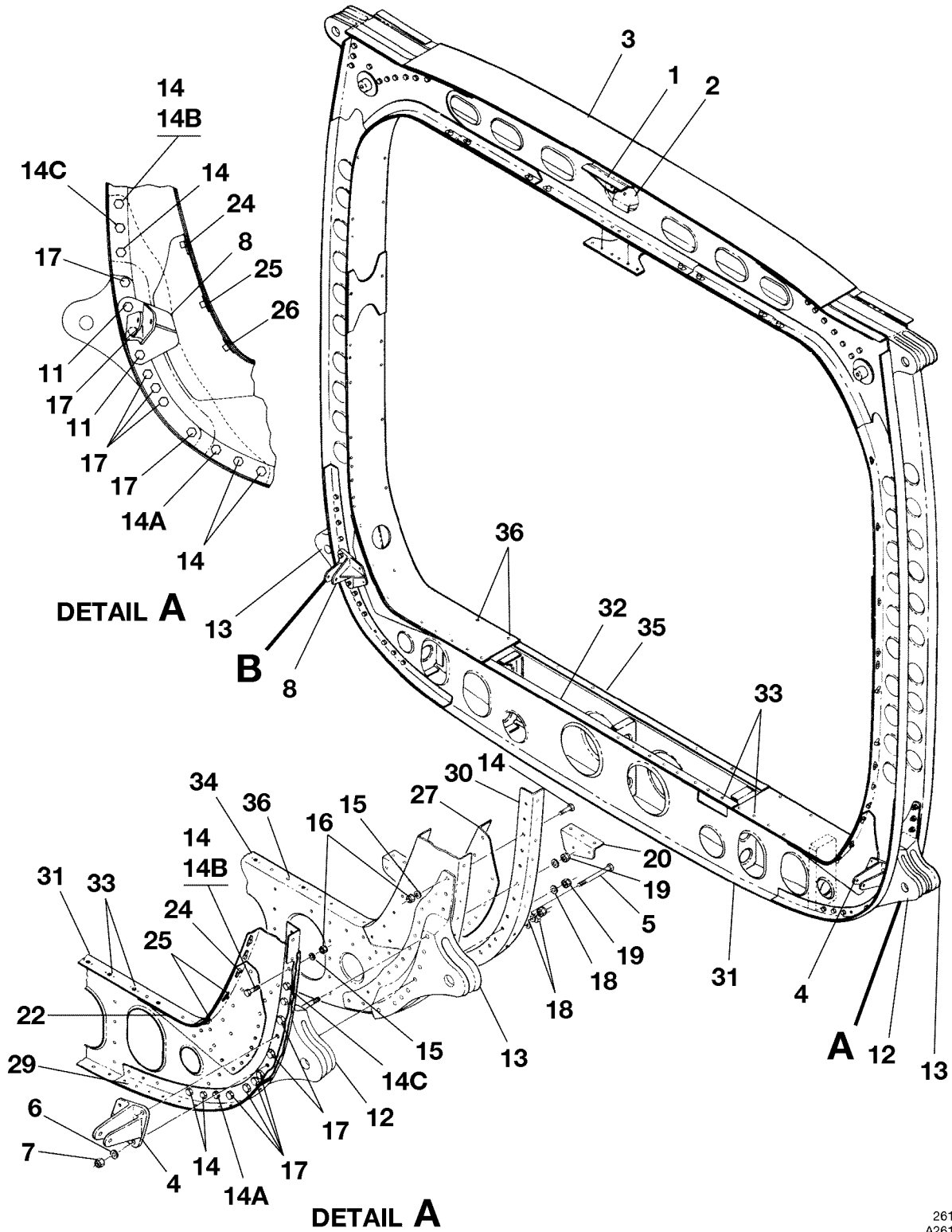
FIG ITEM	PART NUMBER	NOMENCLATURE	UNITS PER ASSY		
			1	2	3
02					
75	2611011-25	BULKHEAD-LH STA 166.45 FSO 2611011-61	0001	0403	01
- 76	2611011-61	BULKHEAD-LH STA 166.45 .080 2024 T3	0404	& ON	01
- 76A	26691038-1	BULKHEAD SEGMENT-LH REFER TO NOTE 1	0533	0549	01 R
- 76B	26691038-3	BULKHEAD SPLICE-CENTER LH REFER TO NOTE 1	0533	0549	01 R
77	2611011-26	BULKHEAD-RH STA 166.45 FSO 2611011-62	0001	0403	01
- 78	2611011-62	BULKHEAD-RH STA 166.45 .080 2024 T3 REFER TO NOTE 1	0404	& ON	01 R
- 78A	26691038-2	BULKHEAD SEGMENT-RH REFER TO NOTE 1	0533	0549	01 R
- 78B	26691038-3	BULKHEAD SPLICE-CENTER RH REFER TO NOTE 1	0533	0549	01 R
79	MS21047L3	NUTPLATE			04
80	MS21073L08	NUTPLATE			06
81	MS21069L3	NUTPLATE			04
82	NAS697A08	NUTPLATE			06
83	2611011-27	BULKHEAD-LH STA 168.70 .080 2024 T42			01
- 84	2611011-28	BULKHEAD-RH STA 168.70 .080 2024 T42			01
85	MS21073L08	NUTPLATE			08
86	NAS697A08	NUTPLATE			06
87	2611011-3	BULKHEAD-UPR STA 166.45 .080 2024 T42			01
- 87A	2691038-10	LOWER SPLICE-UPR BULKHEAD REFER TO NOTE 1	0533	0549	01 R
- 87B	2691038-11	UPPER BULKHEAD SPLICE-LH REFER TO NOTE 1	0533	0549	01 R
- 87C	2691038-13	UPPER BULKHEAD SEGMENT-LH REFER TO NOTE 1	0533	0549	01 R
- 87D	2691038-12	UPPER BULKHEAD SPLICE-RH REFER TO NOTE 1	0533	0549	01 R
- 87D	2691038-14	UPPER BULKHEAD SEGMENT-RH REFER TO NOTE 1	0533	0549	01 R
88	2611011-4	BULKHEAD-UPR STA 168.70 .080 2024 T42			01
89	2615030-1	HANGER-UPHOLSTERY .062 DIA 1020 REFER TO NOTE 1			04 R
90	2611011-23	CAP-LH LWR FSO 2611011-63	0001	0122	01
- 91	2611011-63	CAP-LH LWR .080 2024 T3	0404	& ON	01
92	2611011-24	CAP-RH LWR FSO 2611011-64	0001	0122	01
- 93	2611011-64	CAP-RH LWR .080 2024 T3	0404	& ON	01
94	2611011-15	CAP-UPR LH .080 2024 T3			01
95	2611011-16	CAP-UPR RH .080 2024 T3			01
96	2611011-2	CAP-CABIN TOP .100 2024 T3			01
97	2611011-29	SPLICE-SIDE .080 2024 T3			02
- 98	2611011-14	SPLICE-UPR .080 2024 T3			01
99	2611011-37	SPLICE-UPR LH STA 166.45 FSO 2611011-59	0001	0122	01
- 100	2611011-59	SPLICE-UPR LH STA 166.45 .071 2024 T42	0404	& ON	01
- 100A	2611011-10	SPLICE-UPR LH STA 166.45 .071 2024 T42 FSO 2611011-60	0001	0067	NP
- 101	2611011-38	SPLICE-UPR RH STA 166.45 FSO 2611011-60	0068	0122	NP
- 102	2611011-60	SPLICE-UPR RH STA 166.45 .071 2024 T42	0123	& ON	01
103	2611011-11	SPLICE-UPR LH STA 168.70 .071 2024 T42			01
- 104	2611011-12	SPLICE-UPR RH STA 168.70 .071 2024 T42			01
105	2611011-7	STIFFENER-UPR LH FWD & UPR RH AFT .080 2024 T42			02
106	2611011-8	STIFFENER-UPR LH AFT & UPR RH FWD .080 2024 T42			02
107	2611011-13	STIFFENER .080 2024 T3			02
108	2613216-1	FITTING-WING ATTACH LH AFT & RH FWD			02
109	2613216-2	FITTING-WING ATTACH LH FWD & RH AFT			02
		ATTACHING PARTS			
110	AN174-6A	BOLT			07
111	NAS1149F0463P	WASHER			07
112	MS21044N4	NUT			14
113	AN174-30A	BOLT			07
114	NAS1149F0432P	WASHER			07
		*-			
115	2611184-1	MOUNTING BLOCK ASSY-UPR AILERON PULLEY 2.375DIA 2024 T4			02
		ATTACHING PARTS			
- 116	AN3-6A	BOLT			03
- 117	NAS1149F0332P	WASHER			03
- 118	MS21044N3	NUT			03
		*-			
- 119	MS21209F5-10	INSERT			01
- 120	NAS75-5-010	BUSHING			01
121	2611011-32	SPACER-UPR STA 168.70 .040 2024 T3			02
122	MS21047L3	NUTPLATE			02

NOTE 1—AIRPLANES -0533 THRU -0549 INCORPORATING CAB-53-01

R

CESSNA®
MODEL 208
 ILLUSTRATED PARTS CATALOG

A24787



FORWARD CARRY-THRU STRUCTURE
 FIGURE 03 (SHEET 1)

2613R3003
 A2613R3002
 B2613R1001

CESSNA®
MODEL 208
ILLUSTRATED PARTS CATALOG

FIG ITEM	PART NUMBER	NOMENCLATURE	UNITS	
			PER	ASSY
03		FORWARD CARRY-THRU STRUCTURE		
-			B0001	& ON RF
1	2660045-1	. BRACKET ASSY-QUADRANT UPR.	B0001	0469 01
- 1A	2660045-4	. BRACKET ASSY-QUADRANT UPR.	B0470	& ON 01
2	2660026-3	. BRACKET-QUADRANT LWR.		01
3	2611011-39	. BULKHEAD ASSY-FWD CARRY THRU		01
- 3A	DDA06292-1	. BULKHEAD ASSY-FWD CARRY THRU REF 2611011 REFER TO NOTE 1	B2291	B2291 01 R
4	2612111-2	. BRACKET-AILERON PULLEY LWR LH 3.00X4.00 2024 T351. ATTACHING PARTS		01
5	AN174-32A	. BOLT		02
6	NAS1149F0432P	. WASHER		02
7	MS21044N4	. NUT —*—		02
8	2612112-2	. BRACKET RH AILERON PULLEY LWR 3.00X4.00 2024 T351 ATTACHING PARTS		01
- 9	AN174-32A	. BOLT		02
- 10	NAS1149F0432P	. WASHER		02
11	MS21044N4	. NUT —*—		02
12	2611113-6	. FITTING-STRUT ATTACH LH FWD & RH AFT		02
13	2611113-5	. FITTING-STRUT ATTACH LH AFT & RH FWD ATTACHING PARTS		02
14	AN173-6A	. BOLT		06
14A	AN174-6A	. BOLT-REFER TO NOTE 2		01
14B	AN174-6A	. BOLT-REFER TO NOTE 3		02
14C	AN174-6A	. BOLT-REFER TO NOTE 4		09
15	NAS1149F0363P	. WASHER		12
16	MS21044N3	. NUT —*—		06
17	AN174-30A	. BOLT		06
18	NAS1149F0432P	. WASHER		06
19	MS21044N4	. NUT		06
20	2611059-7	. ATTACH ANGLE LH .040 2024 T3		01
- 21	2611059-8	. ATTACH ANGLE RH .040 2024 T3		01
22	2611020-7	. SPLICE ASSY-LWR LH FWD .071 2024 T42 FSO 2611020-13	B0001	B1063 01
- 22A	2611020-13	. SPLICE ASSY-LWR LH FWD .071 2024 T42	B1064	& ON 01
- 23	2611020-8	. SPLICE ASSY-LWR RH FWD .071 2024 T42 FSO 2611020-14	B0001	B1063 01
- 23A	2611020-14	. SPLICE ASSY-LWR RH FWD .071 2024 T42	B1064	& ON 01
24	NAS682A3	. NUTPLATE		01
25	MS21047L3	. NUTPLATE		02
26	MS21069L3	. NUTPLATE		01
27	2611020-2	. SPLICE-LWR LH AFT .071 2024 T42 FSO 2611020-12	B0001	B1063 01
- 27A	2611020-12	. SPLICE-LWR LH AFT .071 2024 T42	B1064	& ON 01
- 28	2611020-1	. SPLICE-LWR RH AFT .071 2024 T42 FSO 2611020-11	B0001	B1063 01
- 28A	2611020-11	. SPLICE-LWR RH AFT .071 2024 T42	B1064	& ON 01
29	2611011-21	. STIFFENER-LWR LH FWD & LWR RH AFT .071 2024 T42		02
30	2611011-22	. STIFFENER-LWR LH AFT & LWR RH FWD .071 2024 T42		02
31	2611011-40	. BULKHEAD ASSY-LWR STA 186.45		01
32	2611011-30	. SPACER .032 2024 T3		01
33	MS21047L3	. NUTPLATE		17
34	2611011-42	. BULKHEAD ASSY-LWR STA 188.70		01
35	2611011-31	. SPACER .032 2024 T3		01
36	MS21047L3	. NUTPLATE		13

NOTE 1—WHEN ORDERING DDA PART NUMBERS, ALSO PROVIDE REF DRAWING NUMBER SHOWN IN NOMENCLATURE COLUMN.

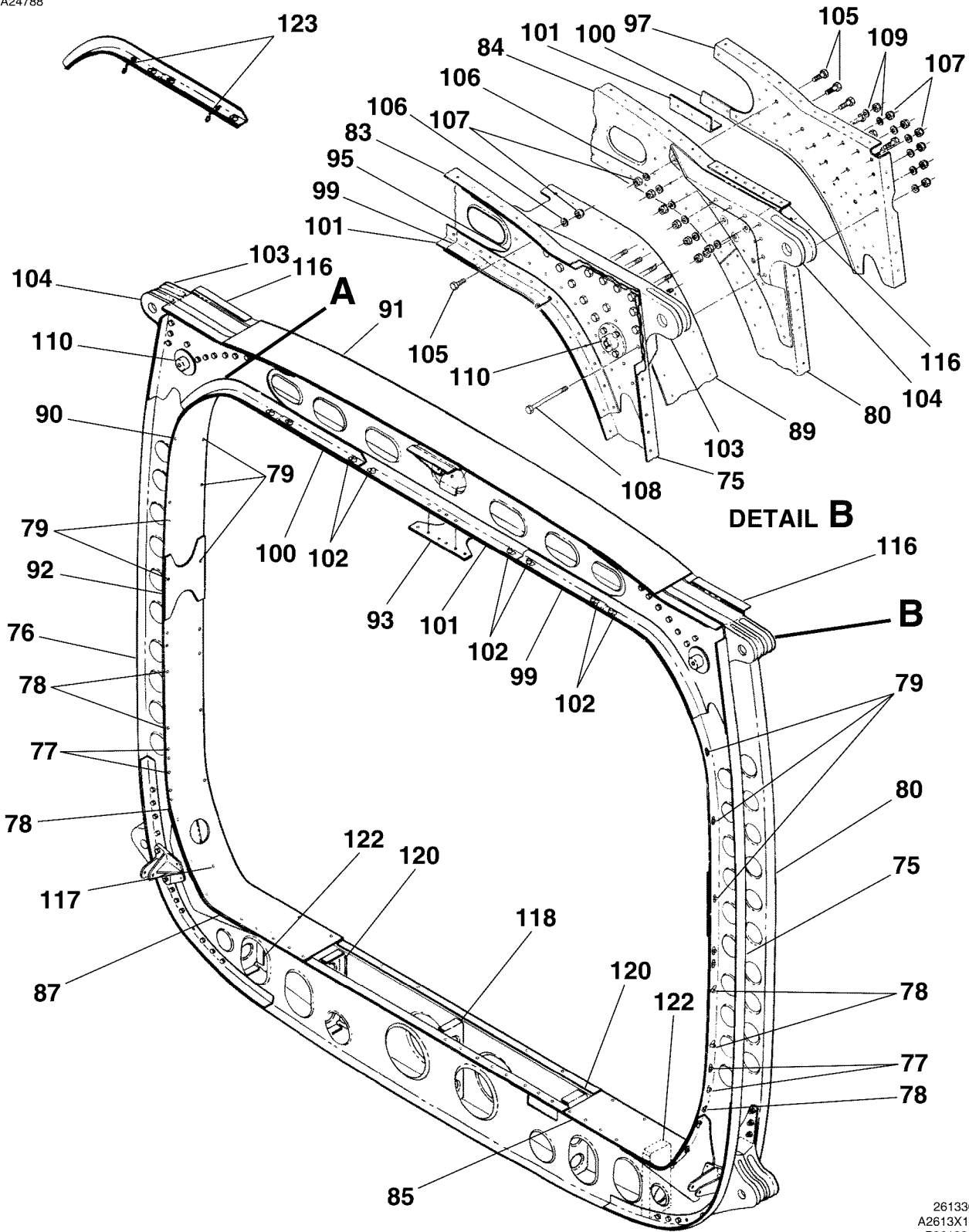
NOTE 2—USED WITH DDA06294-1 BULKHEAD ASSY

NOTE 3—USED WITH DDA06294-1 AND DDA06294-2 BULKHEAD ASSY

NOTE 4—USED WITH DDA06294-2 BULKHEAD ASSY

CESSNA®
MODEL 208
 ILLUSTRATED PARTS CATALOG

A24788



FORWARD CARRY-THRU STRUCTURE
 FIGURE 03 (SHEET 2)

26133003
 A2613X1015
 B26133012

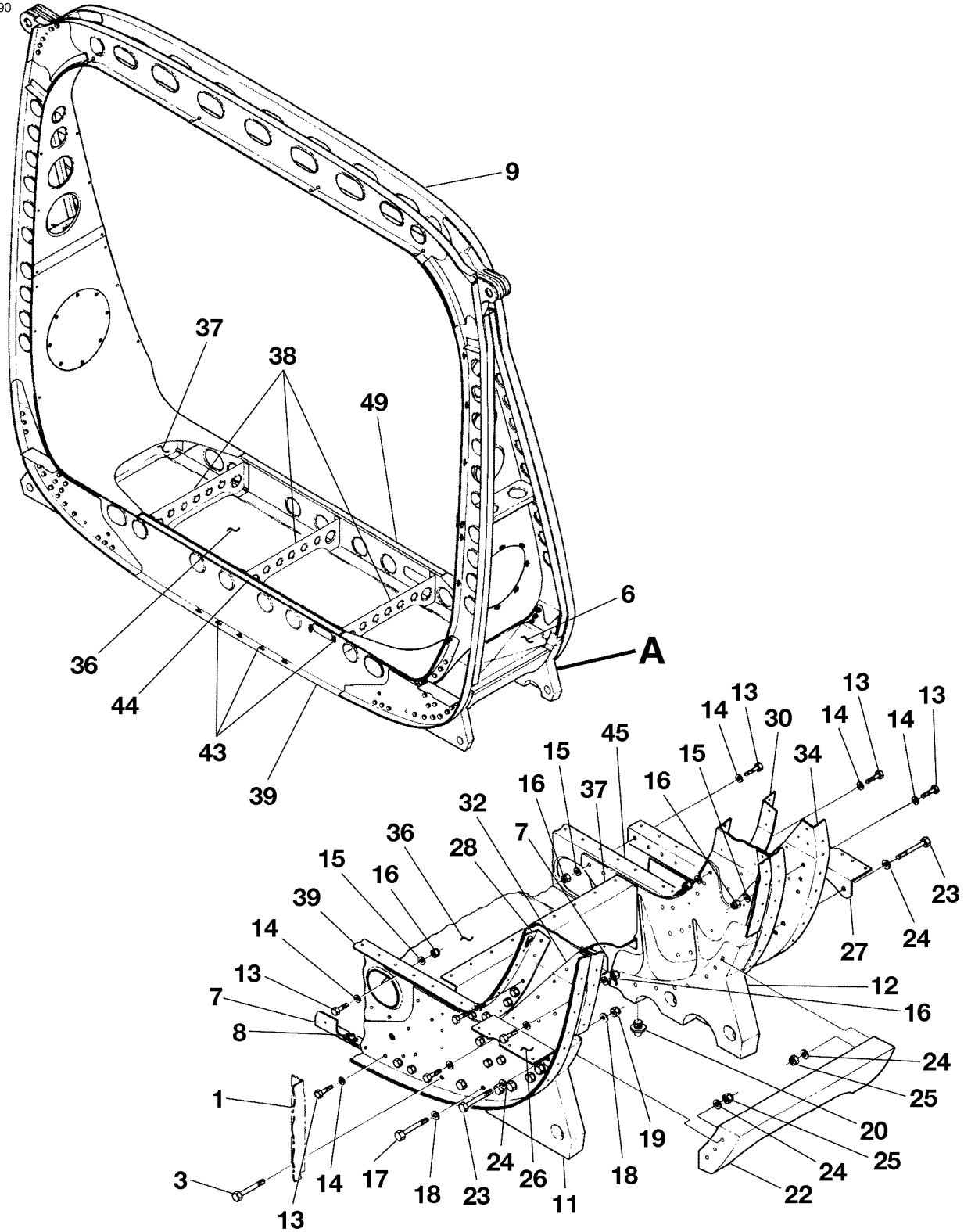
CESSNA®
MODEL 208
ILLUSTRATED PARTS CATALOG

FIG ITEM	PART NUMBER	1 2 3 4 5 6 7	NOMENCLATURE	UNITS PER ASSY		
03						
75	2611011-47		BULKHEAD-LH STA 186.45 .080 2024 T42			01
76	2611011-48		BULKHEAD-RH STA 186.45 .080 2024 T42			01
77	MS21047L3		NUTPLATE			04
78	NAS697A08		NUTPLATE			06
79	NAS697A08		NUTPLATE			12
80	2611011-49		BULKHEAD-LH STA 188.70 .080 2024 T42			01
- 81	2611011-50		BULKHEAD-RH STA 188.70 .080 2024 T42			01
- 82	NAS697A08		NUTPLATE			08
83	2611011-3		BULKHEAD-UPR STA 186.45 .080 2024 T42			01
84	2611011-4		BULKHEAD-UPR STA 188.70 .080 2024 T42			01
85	2611011-45		CAP-LWR LH FSO 2611011-67	B0001	B0345	NP
- 86	2611011-67		CAP ASSY-LWR LH .080 2024 T3	B0346	& ON	01
87	2611011-44		CAP-LWR RH FSO 2611011-66	B0001	B0345	NP
- 88	2611011-66		CAP ASSY-LWR RH .080 2024 T3	B0346	& ON	01
89	2611011-55		CAP-UPR LH .080 2024 T3			01
90	2611011-56		CAP-UPR RH .080 2024 T3			01
91	2611011-2		CAP-CABIN TOP .100 2024 T3			01
92	2611011-53		SPLICE-SIDE .080 2024 T3			02
93	2611011-57		SPLICE ASSY-UPR .080 2024 T3	B0001	B4999	01
- 93A	2611012-1		SPLICE ASSY	B5000	& ON	01
- 94	MS21047L06		NUTPLATE			04
95	2611011-51		SPLICE-UPR FWD LH STA 186.45 .071 2024 T42			01
- 96	2611011-52		SPLICE-UPR FWD RH STA 186.45 .071 2024 T42			01
97	2611011-11		SPLICE-UPR AFT LH STA 188.70 .071 2024 T42			01
- 98	2611011-12		SPLICE-UPR AFT RH STA 188.70 .071 2024 T42			01
99	2611011-7		STIFFENER-UPR LH FWD & UPR RH AFT .080 2024 T42			02
100	2611011-8		STIFFENER-UPR LH AFT & UPR RH FWD .080 2024 T42			02
101	2611011-13		STIFFENER .080 2024 T3			02
102	MS21069L4		NUTPLATE			16
103	2613216-1		FITTING-WING ATTACH LH AFT & RH FWD			02
104	2613216-2		FITTING-WING ATTACH LH FWD & RH AFT			02
			ATTACHING PARTS			
105	AN174-6A		BOLT			07
106	NAS1149F0463P		WASHER			07
107	MS21044N4		NUT			14
108	AN174-30A		BOLT			07
109	NAS1149F0432P		WASHER			07
			—*			
110	2611184-1		MOUNTING BLOCK ASSY-UPR AILERON PULLEY 2.375DIA 2024 T4			02
			ATTACHING PARTS			
- 111	AN3-6A		BOLT			03
- 112	NAS1149F0332P		WASHER			03
- 113	MS21044N3		NUT			03
			—*			
- 114	MS21209F5-10		INSERT			01
- 115	NAS75-5-010		BUSHING			01
116	2611011-32		SPACER-UPR STA 188.70 .040 2024 T3			02
117	MS21047L3		NUTPLATE			02
118	2611089-2		INTERCOSTAL BULKHEAD-CTR .063 2024 T3	B0001	B0337	01
- 119	2611089-5		INTERCOSTAL BULKHEAD-CTR .063 2024 T3	B0338	& ON	01
120	2611089-1		INTERCOSTAL BULKHEAD BL 14.00 .063 2024 T3	B0001	B0337	02
- 121	2611089-4		INTERCOSTAL BULKHEAD BL 14.00 .063 2024 T3	B0338	& ON	02
122	2611089-3		INTERCOSTAL BULKHEAD BL 23.00 .063 2024 T3			02
123	2615030-2		HANGER-UPHOLSTERY 208B PASSENGER VERSION .059DIA 1090	B0214	& ON	04
			STRAIGHT			
- 124	NAS1149FN416P		WASHER-HANGER ATTACH	B0214	& ON	04

- ITEM NOT ILLUSTRATED

CESSNA®
MODEL 208
ILLUSTRATED PARTS CATALOG

A24790



DETAIL A

MAIN LANDING GEAR BULKHEAD STRUCTURE
FIGURE 04 (SHEET 1)

2613R3013
A2613R3015

CESSNA®
MODEL 208
ILLUSTRATED PARTS CATALOG

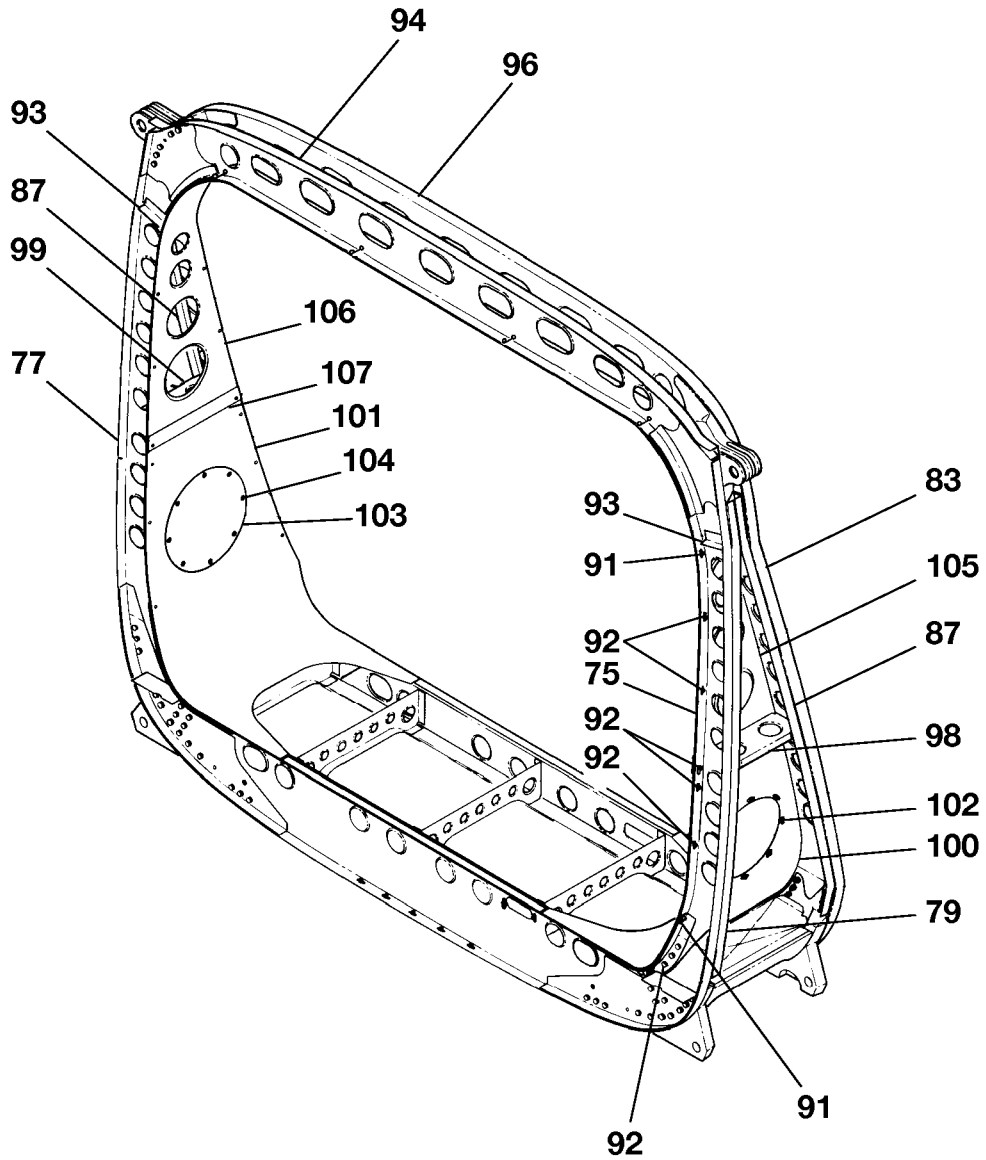
FIG ITEM	PART NUMBER	NOMENCLATURE	UNITS PER ASSY	
			1 2 3 4 5 6 7	
04		MAIN LANDING GEAR BULKHEAD STRUCTURE		RF
-		. CENTER FUSELAGE STRUCTURE 208 REFER TO 53-12-00 FIGURE 01		RF
1		. CENTER FUSELAGE STRUCTURE 208B REFER TO 53-12-00 FIGURE 02 . .		RF
2		. BOLT		04
3	AN174-16A	. WASHER		04
4	NAS1149F0432P	. NUT		04
5	MS21044N4	. RIB- CLOSE OUT .025 2024 T42		02
6	2611036-1	. SUPPORT ASSY-REMOVEABLE COVER .032 2024 T42		02
7	2611103-2	. NUTPLATE		09
8	MS21047L3	. BULKHEAD ASSY-MAIN LANDING GEAR FSO 2611118-61	0001 0106	NP
9	2611118-1	. BULKHEAD ASSY-MAIN LANDING GEAR	0107 0185	01
9A	2611118-41	. BULKHEAD ASSY-MAIN LANDING GEAR	B0001 B0214	
-		. BULKHEAD ASSY-MAIN LANDING GEAR	0186 0395	01
10	2611118-61	. BULKHEAD ASSY-MAIN LANDING GEAR	B0215 B1168	
-		. BULKHEAD ASSY-MAIN LANDING GEAR	0396 & ON	01
10A	2611118-65	. BULKHEAD ASSY-MAIN LANDING GEAR	B1169 & ON	
-		. FITTING ASSY-LH MAIN GEAR LH FWD & RH AFT	0001 0114	02
11	2611166-2	. FITTING ASSY-MAIN GEAR LH FWD & RH AFT REFER TO NOTE 1	0115 & ON	02
11A	2611137-10	. FITTING ASSY-MAIN GEAR LH AFT & RH FWD REFER TO NOTE 1	B0001 & ON	
-		. FITTING ASSY-LH MAIN GEAR LH AFT & RH FWD REFER TO NOTE 1 . .	0001 0114	02
12	2611166-1	. FITTING ASSY-MAIN GEAR LH AFT & RH FWD REFER TO NOTE 1	0115 & ON	02
12A	2611137-9	. FITTING ASSY-MAIN GEAR LH AFT & RH FWD REFER TO NOTE 1	B0001 & ON	
-		. BOLT-FITTING ASSY ATTACH		18
13	AN173-6A	. WASHER-FITTING ASSY ATTACH		18
14	NAS1149F0363P	. WASHER-FITTING ASSY ATTACH		18
15	NAS1149F0332P	. NUT-FITTING ASSY ATTACH		18
16	MS21044N3	. BOLT-FITTING ASSY ATTACH		04
17	AN174-16A	. WASHER-FITTING ASSY ATTACH	B2288 B2288	08
18	NAS1149F0463P	. NUT-FITTING ASSY ATTACH		04
19	MS21044N4	. JACK LUG .750 HEX 4130 125K		01
20	1650090-5	. INSERT		01
21	MS21209F7-10	. BRACE		02
22	2611045-1	. BOLT-BRACE ATTACH		06
23	AN174-17A	. WASHER-BRACE ATTACH		12
24	NAS1149F0463P	. NUT-BRACE ATTACH		06
25	MS21042-4	. ANGLE-ATTACH LH FWD & RH AFT .040 2024 T42		02
26	2611117-1	. ANGLE-ATTACH LH AFT & RH FWD .040 2024 T42		02
27	2611117-2	. STIFFENER-LH FWD .080 2024 T4	0001 0106	01
28	2611118-19	. STIFFENER-LH FWD .080 2024 T42	0107 & ON	01
28A	2611118-49	. STIFFENER-LH FWD .080 2024 T42	B0001 & ON	
-		. STIFFENER-RH FWD .080 2024 T42	0001 0106	01
29	2611118-20	. STIFFENER-RH FWD .080 2024 T42	0107 & ON	01
29A	2611118-48	. STIFFENER-RH FWD .080 2024 T42	B0001 & ON	
-		. STIFFENER-LH AFT .080 2024 T42	0001 0106	01
30	2611118-21	. STIFFENER-LH AFT .080 2024 T42	0107 & ON	01
30A	2611118-51	. STIFFENER-LH AFT .080 2024 T42	B0001 & ON	
-		. STIFFENER-RH AFT .080 2024 T42	0001 0106	01
31	2611118-22	. STIFFENER-RH AFT .080 2024 T42	0107 & ON	01
31A	2611118-50	. STIFFENER-RH AFT .080 2024 T42	B0001 & ON	
-		. SPLICE-LH FWD .063 2024 T42		01
32	2611118-23	. SPLICE-RH FWD .063 2024 T42		01
33	2611118-24	. SPLICE-LH AFT .063 2024 T42		01
34	2611118-25	. SPLICE-RH AFT .063 2024 T42		01
35	2611118-26	. SKIN-SEALING .040 2024 T42		01
36	2611118-14	. BULKHEAD-OUTBD .063 2024 T42		02
37	2611049-1	. BULKHEAD .063 2024 T42		03
38	2611048-1	. BULKHEAD ASSY-LWR STA 194.40	0001 0185	01
39	2611118-13	. BULKHEAD ASSY-LWR STA 194.40	B0001 B0214	
-		. BULKHEAD ASSY-LWR STA 194.40	0186 & ON	01
40	2611118-58	. BULKHEAD ASSY-LWR STA 214.40	B0215 & ON	
-		. BULKHEAD ASSY-LWR STA 214.40	0001 0185	01
41	2611118-13	. BULKHEAD ASSY-LWR STA 214.40	B0001 B0214	
-		. BULKHEAD ASSY-LWR STA 214.40	0186 & ON	01
42	2611118-58	. BULKHEAD ASSY-LWR STA 214.40	B0215 & ON	
-		. NUTPLATE		05
43	MS21047L3	. SPACER .080 2024 T3		01
44	2611118-33	. BULKHEAD ASSY-LWR STA 208.00	0001 0185	01
45	2611118-35	. BULKHEAD ASSY-LWR STA 208.00	0186 & ON	01
46	2611118-60	. BULKHEAD ASSY-LWR STA 228.00	B0001 B0214	01
47	2611118-35	. BULKHEAD ASSY-LWR STA 228.00	B0215 & ON	01
48	2611118-60	. SPACER .080 2024 T3		01
49	2611118-34			

NOTE 1—FOR SPARES THESE FITTINGS ARE SOLD WITH MATCHING CAPS.FOR CAP SPARES REFER TO 32-10-00 FIGURE 01

- ITEM NOT ILLUSTRATED

CESSNA®
MODEL 208
ILLUSTRATED PARTS CATALOG

A24791



26133013

MAIN LANDING GEAR BULKHEAD STRUCTURE
FIGURE 04 (SHEET 2)

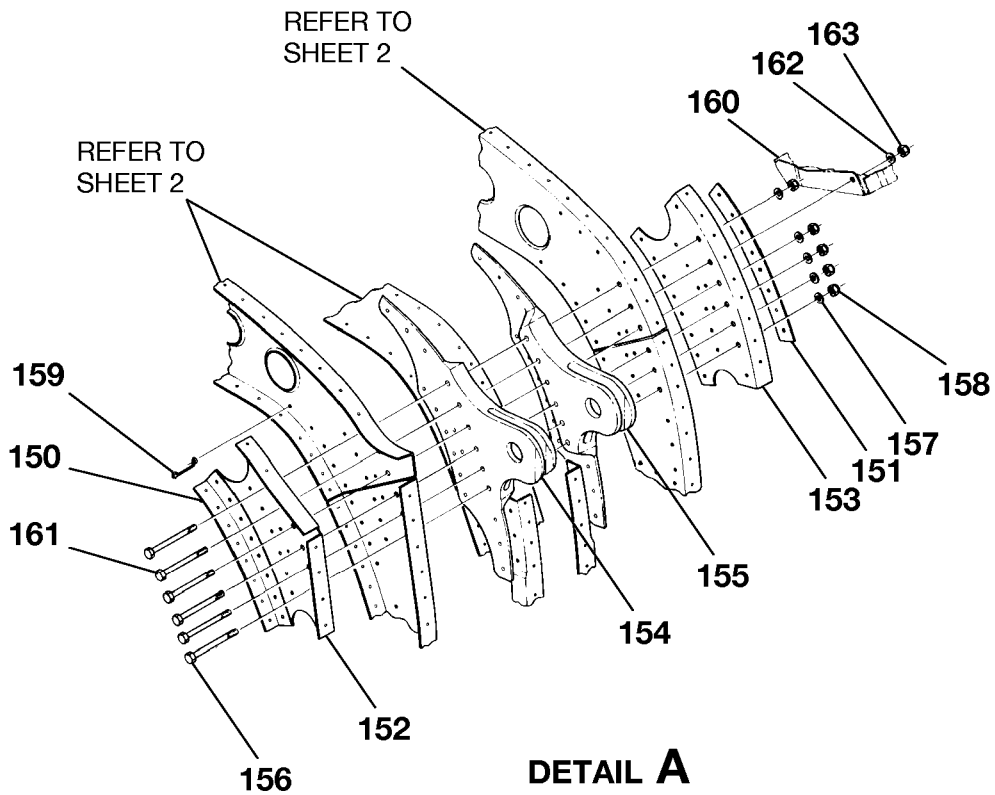
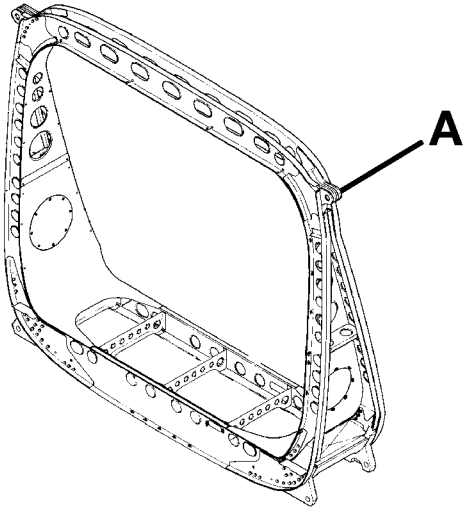
CESSNA®
MODEL 208
ILLUSTRATED PARTS CATALOG

FIG ITEM	PART NUMBER	NOMENCLATURE	UNITS PER ASSY		
			1	2	3
04					
75	2611118-27	. . . BULKHEAD-LH CANT STA 194.40 .080 2024 T42	0001	0106	01
- 75A	2611118-53	. . . BULKHEAD-LH CANT STA 194.40 .080 2024 T42	0107	& ON	01
- 76	2611118-53	. . . BULKHEAD-LH CANT STA 214.40 .080 2024 T42	B0001	& ON	01
77	2611118-28	. . . BULKHEAD-RH CANT STA 197.40	0001	0106	01
- 77A	2611118-52	. . . BULKHEAD-RH CANT STA 194.40 .080 2024 T42	0107	& ON	01
- 78	2611118-52	. . . BULKHEAD-RH CANT STA 214.40 .080 2024 T42	B0001	& ON	01
79	2611118-37	. . . STIFFENER-LH STA 194.40 .080 2024 T42	0001	& ON	01
- 80	2611118-37	. . . STIFFENER-LH STA 214.40 .080 2024 T42	B0001	& ON	01
- 81	2611118-38	. . . STIFFENER-RH STA 194.40 .080 2024 T42	0001	& ON	01
- 82	2611118-38	. . . STIFFENER-RH STA 214.40 .080 2024 T42	B0001	& ON	01
83	2611118-29	. . . BULKHEAD-LH CANT STA 208.00	0001	0106	01
- 83A	2611118-55	. . . BULKHEAD-LH CANT STA 208.00 .080 2024 T42	0107	& ON	01
- 84	2611118-55	. . . BULKHEAD-LH CANT STA 228.00 .080 2024 T42	B0001	& ON	01
- 85	2611118-30	. . . BULKHEAD-LH CANT STA 208.00	0001	0106	01
- 85A	2611118-54	. . . BULKHEAD-RH CANT STA 208.00 .080 2024 T42	0107	& ON	01
- 86	2611118-54	. . . BULKHEAD-RH CANT STA 228.00 .080 2024 T42	B0001	& ON	01
87	2611118-39	. . . STIFFENER-LH CANT STA 208.00 .080 2024 T42	0001	& ON	01
- 88	2611118-39	. . . STIFFENER-LH CANT STA 228.00 .080 2024 T42	B0001	& ON	01
- 89	2611118-40	. . . STIFFENER-RH CANT STA 208.00 .080 2024 T42	0001	& ON	01
- 90	2611118-40	. . . STIFFENER-RH CANT STA 228.00 .080 2024 T42	B0001	& ON	01
91	MS21069L08	. . . NUTPLATE			19
92	MS21047L08	. . . NUTPLATE			22
93	2611186-1	. . . CLIP .050 2024 T3			02
94	2611118-3	. . . BULKHEAD-UPPER STA 195.813 .080 2024 T42 FSO 2611118-62	0001	0185	NP
- 94A	2611118-3	. . . BULKHEAD-UPPER STA 215.813 .080 2024 T42 FSO 2611118-62	B0001	B0214	NP
- 95	2611118-62	. . . BULKHEAD-UPPER STA 195.813 .080 2024 T42	0186	0395	01
- 95A	2611118-62	. . . BULKHEAD-UPPER STA 215.813 .080 2024 T42	B0215	B1168	01
- 95B	2611118-66	. . . BULKHEAD-UPPER STA 195.813 .080 2024 T42	0396	& ON	01
- 95C	2611118-66	. . . BULKHEAD-UPPER STA 215.813 .080 2024 T42	B1169	& ON	01
96	2611118-4	. . . BULKHEAD-UPPER STA 197.813 .080 2024 T42 FSO 2611118-43	0001	0106	NP
- 96A	2611118-43	. . . BULKHEAD-UPPER STA 197.813 .080 2024 T42	0107	0395	01
- 96B	2611118-43	. . . BULKHEAD-UPPER STA 217.813 .080 2024 T42	B0001	B1168	01
- 96C	2611118-67	. . . BULKHEAD-UPPER STA 197.813 .080 2024 T42	0396	& ON	01
- 96D	2611118-67	. . . BULKHEAD-UPPER STA 217.813 .080 2024 T42	B1169	& ON	01
- 97		. . . DELETED-NOT USED			
98	2611028-1	. . . CHANNEL-LH .040 2024 T3			01
99	2611028-2	. . . CHANNEL-RH .040 2024 T3			01
100	2611118-47	. . . CAP-LWR LH .080 2024 T42			01
101	2611118-18	. . . CAP-LWR LH .080 2024 T42	0001	0106	01
- 101A	2611118-46	. . . CAP-LWR RH .080 2024 T42	0107	& ON	01
			B0001	& ON	
102	MS21047L3	. . . NUTPLATE			16
103	2611118-36	. . . COVER .080 2024 T3			02
		. . . ATTACHING PARTS			
104	AN525-10R8	. . . SCREW			08
		. . . *			
105	2611118-11	. . . CAP-UPR LH .080 2024 T42 FSO 2611118-45	0001	0106	NP
- 105A	2611118-45	. . . CAP-UPR LH .080 2024 T42	0107	& ON	01
			B0001	& ON	
106	2611118-12	. . . CAP-UPR RH .080 2024 T42 FSO 2611118-64	0001	0106	NP
- 106A	2611118-44	. . . CAP-UPR RH .080 2024 T42 FSO 2611118-64	0107	0185	NP
			B0001	B0214	
- 106B	2611118-64	. . . CAP-UPR RH .080 2024 T42	0186	0395	01
			B0215	B1168	
- 106C	2611118-68	. . . CAP-UPR RH .080 2024 T42	0396	& ON	01
			B1169	& ON	
107	2611118-31	. . . SPLICE-SIDE .071 2024 T3			02
- 108	2611118-2	. . . SPLICE-UPPER CTR .080 2024 T3	0001	0106	01
- 108A	2611118-42	. . . SPLICE-UPPER CTR .080 2024 T3	0107	& ON	01
			B0001	& ON	

- ITEM NOT ILLUSTRATED

CESSNA®
MODEL 208
ILLUSTRATED PARTS CATALOG

A39943



MAIN LANDING GEAR BULKHEAD STRUCTURE
FIGURE 04 (SHEET 3)

2613R3013
A2613R1020

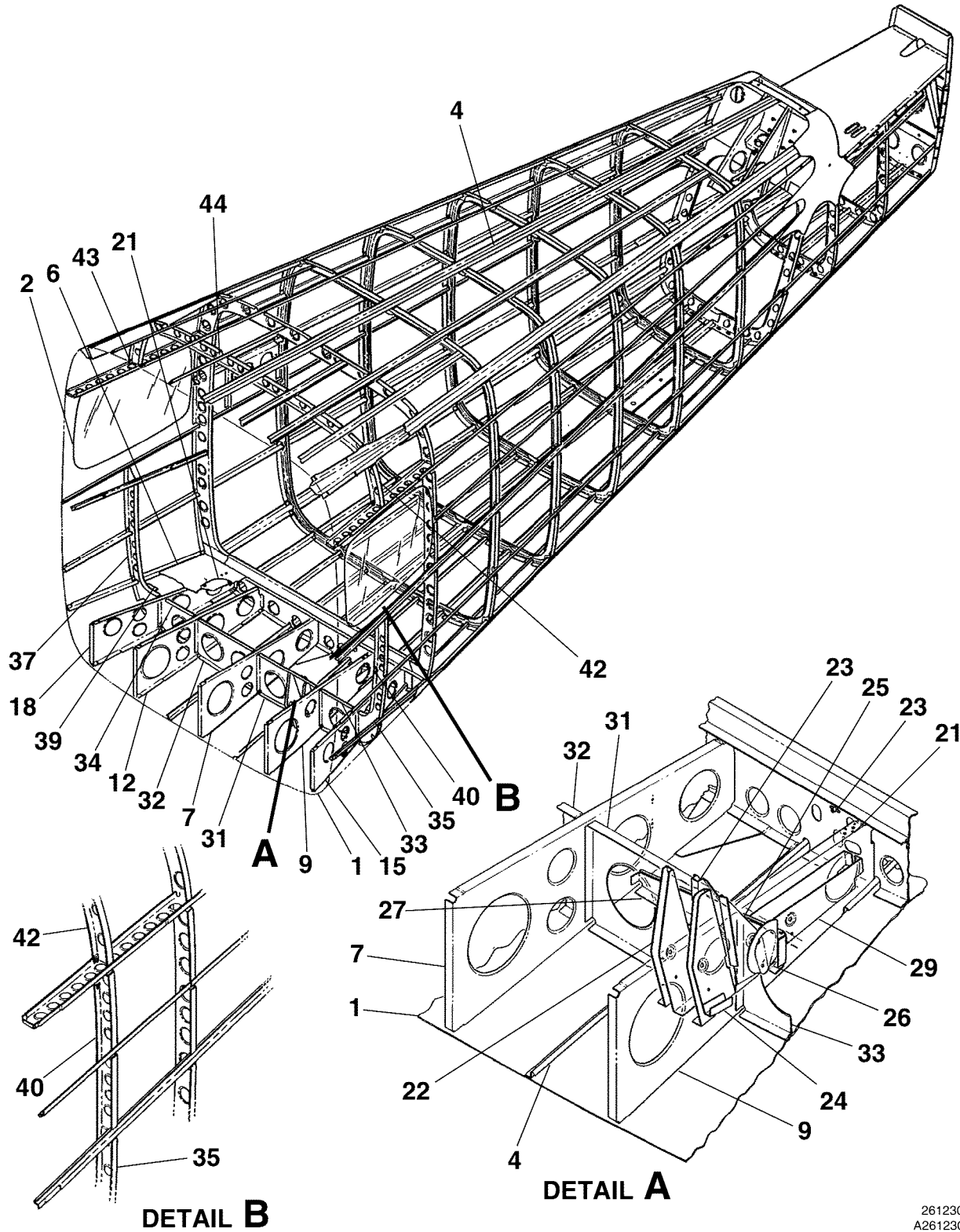
CESSNA®
MODEL 208
 ILLUSTRATED PARTS CATALOG

FIG ITEM	PART NUMBER	1 2 3 4 5 6 7	NOMENCLATURE	UNITS PER ASSY	
04					
150	2611118-5		. . STIFFENER-UPR LH FWD & AFT RH AFT .071 2024 T42		02
151	2611118-6		. . STIFFENER-UPR LH AFT & RH FWD .071 2024 T42	0001 0185	01
- 151A	2611118-63		. . STIFFENER-UPR LH AFT & RH FWD .071 2024 T42	B0001 B0214 0186 & ON B0215 & ON	01
152	2611118-7		. . SPLICE-UPR LH FWD .050 2024 T42		01
- 152A	2611118-8		. . SPLICE-UPR RH FWD .050 2024 T42		01
153	2611118-9		. . SPLICE-UPR LH AFT .050 2024 T42		01
- 153A	2611118-10		. . SPLICE-UPR RH AFT .050 2024 T42		01
154	2611139-2		. . FITTING-WING ATTACH LH FWD & RH AFT		01
155	2611139-1		. . FITTING-WING ATTACH LH AFT & RH FWD		01
156	AN174-26A		. . BOLT		05
157	NAS1149F0463P		. . WASHER		05
158	MS21044N4		. . NUT		05
159	2615030-1		. . HANGER UPHOLSTERY .062 1020		04
160			. . CENTER FUSELAGE STRUCTURE REFER TO 53-12-00 FIGURE 01		RF
161	AN174-26A		. . BOLT		02
162	NAS1149F0463P		. . WASHER		02
163	MS21044N4		. . NUT		02

- ITEM NOT ILLUSTRATED

CESSNA®
MODEL 208
ILLUSTRATED PARTS CATALOG

A24806



TAILCONE STRUCTURE
FIGURE 01 (SHEET 1)

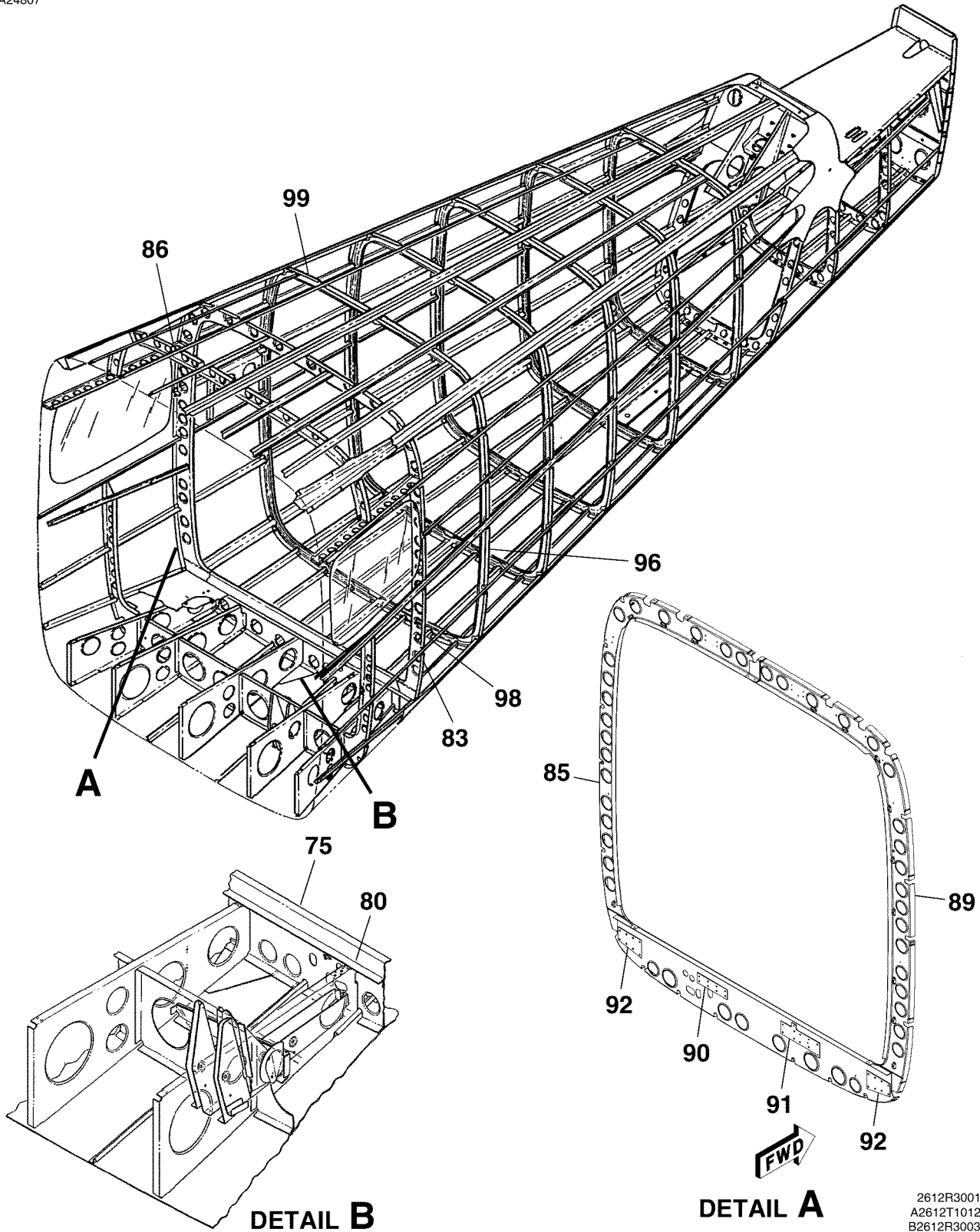
CESSNA®
MODEL 208
ILLUSTRATED PARTS CATALOG

FIG ITEM	PART NUMBER	NOMENCLATURE	UNITS PER ASSY		
			1	2	3
01		TAILCONE STRUCTURE	0001	& ON	RF
-			B0214	& ON	
1		. TAILCONE SKINS AND COMPONENTS REFER TO 53-30-02 FIGURE 01			RF
2		. WINDOW INSTALLATION REFER TO 56-20-00 FIGURE 01	0001	& ON	RF
- 3		. WINDOW INSTALLATION-PASSENGER REFER TO 56-20-00 FIGURE 02	B0214	& ON	RF
4		. TAILCONE STRINGERS REFER TO 53-14-00 FIGURE 03			RF
- 5		. TAILCONE DORSAL ASSY REFER TO 53-50-00 FIGURE 01			RF
6		. TAILCONE FLOORBOARD INSTALLATION REFER TO 53-20-02 FIGURE 01			RF
7	2612054-1	. LONGERON ASSY-CENTER .032 2024 T3 FSO 2612054-15	0001	0348	NP
			B0214	B0913	
- 8	2612054-15	. LONGERON ASSY-CENTER .032 2024 T3	0349	& ON	01
			B0914	& ON	
9	2612054-5	. LONGERON ASSY-LH	B0001	B4999	01
- 9A	2612054-19	. LONGERON ASSY-LH	B5000	& ON	01
- 10	2612054-9	. . ANGLE-BAGGAGE TIE DOWN FWD .071 2024 T42			01
- 11	2612054-7	. . ANGLE-BAGGAGE TIE DOWN AFT .071 2024 T42	0001	& ON	01
			B0001	B4999	
12	2612054-6	. LONGERON ASSY-RH FSO 2612054-16	0001	0348	NP
			B0214	B0913	
- 12A	2612054-16	. LONGERON ASSY-RH	0349	& ON	01
			B0914	B4999	
- 12B	2612054-20	. LONGERON ASSY-RH	B5000	& ON	01
- 13	2612054-10	. . ANGLE-BAGGAGE TIE DOWN FWD .071 2024 T42			01
- 14	2612054-8	. . ANGLE-BAGGAGE TIE DOWN AFT .071 2024 T42	0001	& ON	01
			B0001	B4999	
15	2612049-3	. LONGERON ASSY-LH OUTBD			01
- 16	2612049-5	. . ANGLE-BAGGAGE TIE DOWN FWD .071 2024 T42			01
- 17	2612049-7	. . ANGLE-BAGGAGE TIE DOWN AFT .071 2024 T42			01
18	2612049-4	. LONGERON ASSY-RH OUTBD			01
- 19	2612049-6	. . ANGLE-BAGGAGE TIE DOWN FWD .071 2024 T42			01
- 20	2612049-8	. . ANGLE-BAGGAGE TIE DOWN AFT .071 2024 T42			01
21	MS21047L3	. NUTPLATE-CARGO TIEDOWN			08
22	2612083-1	. PULLEY BKT-RH RUDDER CABLE .040 2024 T42			01
23	2612082-1	. PULLEY BKT-LH RUDDER CABLE .040 2024 T42			01
24	2612074-1	. PULLEY BKT ASSY-ELEVATOR UP			01
25	2612073-1	. PULLEY BKT ASSY-ELEVATOR DN			01
26	2612070-1	. PULLEY SUPPORT-ELEVATOR DN .063 2024 T42			01
27	2612106-1	. STIFFENER ASSY			01
- 28	2612072-2	. . RUB STRIP .062 PLASTIC			02
29	2612071-1	. PULLEY BKT-ELEVATOR TRIM FSO 2612071-2	0051	0215	NP
			B0214	B0298	
- 30	2612071-2	. PULLEY BKT-ELEVATOR TRIM .040 2024 T3	0216	& ON	01
			B0299	& ON	
31	2612064-1	. BULKHEAD-LH CTR STA 296.00 .032 2024 T3			01
32	2612064-2	. BULKHEAD-RH CTR STA 296.00 .032 2024 T3			01
33	2612064-3	. BULKHEAD-LH STA 296.00 .032 2024 T3			01
34	2612064-4	. BULKHEAD-RH STA 296.00 .032 2024 T3			01
35	2612064-5	. BULKHEAD ASSY-LH STA 296.00 FSO 2612122-1	0001	0217	NP
			B0214	B0305	
- 36	2612122-1	. BULKHEAD ASSY-LH STA 296.00	0218	& ON	01
			B0299	& ON	
37	2612064-6	. BULKHEAD ASSY-RH STA 296.00 FSO 2612122-2	0001	0217	NP
			B0214	B0305	
- 38	2612122-2	. BULKHEAD ASSY-RH STA 296.00	0218	& ON	01
			B0299	& ON	
39	2612064-10	. . ANGLE .025 2024 T3			01
40	2612092-3	. BULKHEAD ASSY-LH STA 296.00 .025 2024 T42	0007	& ON	01
- 41	2612092-4	. BULKHEAD ASSY-RH STA 296.00 .025 2024 T42	0007	& ON	01
42	2612064-17	. BULKHEAD-LH STA 296.00 .032 2024 T42			01
43	2612064-16	. BULKHEAD-RH STA 296.00 .032 2024 T42			01
44	2612064-15	. BULKHEAD ASSY-UPR STA 296.00 FSO 2612064-19	0001	0198	NP
			B0214	B0241	
- 44A	2612064-18	. BULKHEAD ASSY-UPR STA 296.00 FSO 2612064-19	0199	0395	NP
			B0242	B1170	
- 45	2612064-19	. BULKHEAD ASSY-UPR STA 296.00	0396	& ON	01
			B1171	& ON	
- 46	2615030-4	. . CLIP-HEADLINER .059DIA 1090 STRAIGHT			04

- ITEM NOT ILLUSTRATED

CESSNA®
MODEL 208
ILLUSTRATED PARTS CATALOG

A24807



TAILCONE STRUCTURE
FIGURE 01 (SHEET 2)

2612R3001
A2612T1012
B2612R3003

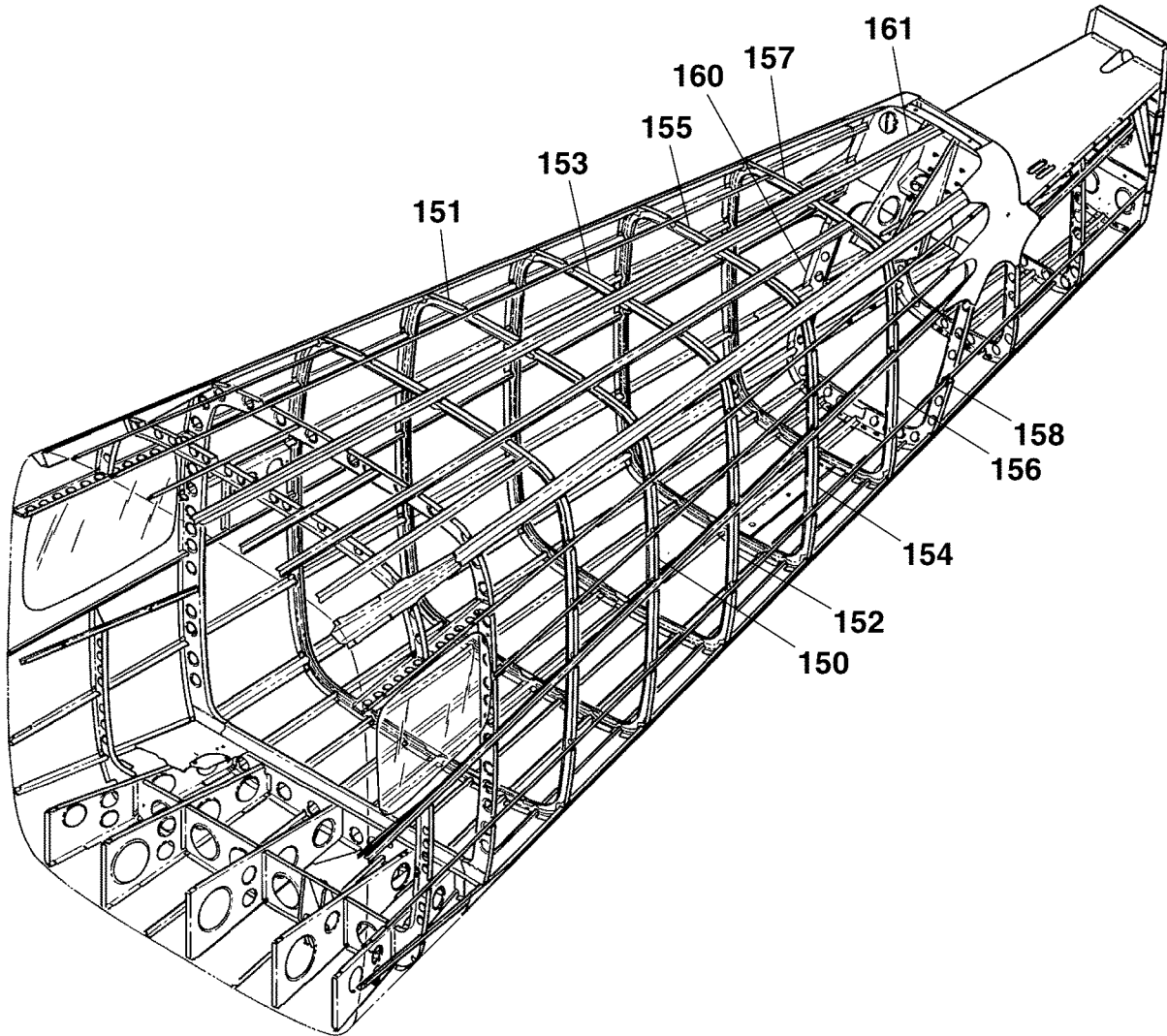
CESSNA®
MODEL 208
ILLUSTRATED PARTS CATALOG

FIG ITEM	PART NUMBER	NOMENCLATURE	UNITS PER ASSY		
			1	2	3
01					
75	2612011-7	. BULKHEAD-LWR STA 308.00	0051	0215	01
			B0214	B0298	
- 76	2612011-12	. BULKHEAD-LOWER STA 308.00 .032 2024 T42	0216	0360	01
			B0299	B0983	
- 77	2612011-15	. BULKHEAD-LOWER STA 308.00 .032 2024 T42 FSO 2612011-17	0361	0523	NP
			B0984	B2232	
- 78	2612011-17	. BULKHEAD-LOWER STA 308.00	0524	& ON	01
			B2233	B4999	
- 79	2612011-26	. BULKHEAD-LOWER STA 308.00	B5000	& ON	01
80	2612011-8	. STIFFENER ANGLE .032 2024 T3	B001	B4999	01
- 81	2612011-25	. STIFFENER	B5000	& ON	01
- 82	2612011-3	. BULKHEAD-LH STA 308.00 FSO 2612011-19	0001	0139	NP
83	2612011-11	. BULKHEAD-LH STA 308.00 FSO 2612011-19	0140	0523	NP
			B0214	B2232	
- 84	2612011-19	. BULKHEAD-LH STA 308.00	0524	0573	01
			B2233	B4999	
- 84A	2612011-29	. BULKHEAD ASSY-LH STA 308.00	0574	& ON	01
85	2612011-21	. BULKHEAD ASSY-LH STA 308.00	B5000	& ON	01
86	2612011-4	. BULKHEAD-RH STA 308.00 FSO 2612011-18	0001	0139	NP
- 87	2612011-10	. BULKHEAD-RH STA 308.00 FSO 2612011-18	0140	0523	NP
			B0214	B2232	
- 88	2612011-18	. BULKHEAD-RH STA 308.00	0524	& ON	01
			B2233	B4999	
- 88A	2612011-30	. BULKHEAD ASSY-RH STA 308.00	0574	& ON	01
89	2612011-22	. BULKHEAD ASSY-RH STA 308.00	B5000	& ON	01
90	2612102-5	. DOUBLER	B5000	& ON	01
91	2612102-6	. DOUBLER	B5000	& ON	01
92	2612104-1	. DOUBLER	B5000	& ON	02
- 93	MS21047L08	. NUTPLATE			12
- 94	MS21047L3	. NUTPLATE	0140	& ON	08
			B0214	& ON	
- 95	2615028-1	. HANGER-HEADLINER			06
96	2612051-5	. BULKHEAD-LH STA 322.80	0001	0414	01
			B0214	B1254	
- 97	2612051-7	. BULKHEAD-LH STA 322.80	0415	0584	01
			B1255	B5293	
- 97A	2612051-9	. BULKHEAD-LH STA 322.80	0588	& ON	01
			B5294	& ON	
98	2512159-2	. SHIELD-CONTROL CABLE .060 POLYCARBONATE			01
99	2612051-2	. BULKHEAD-RH STA 322.80	0001	0414	01
			B0214	B1254	
- 100	2612051-8	. BULKHEAD-RH STA 322.80	0415	0584	01
			B1255	B5293	
- 100A	2612051-10	. BULKHEAD-RH STA 322.80	0585	& ON	01
			B5294	& ON	

- ITEM NOT ILLUSTRATED

CESSNA®
MODEL 208
ILLUSTRATED PARTS CATALOG

A101926



2612R3001

TAILCONE STRUCTURE
FIGURE 01 (SHEET 3)

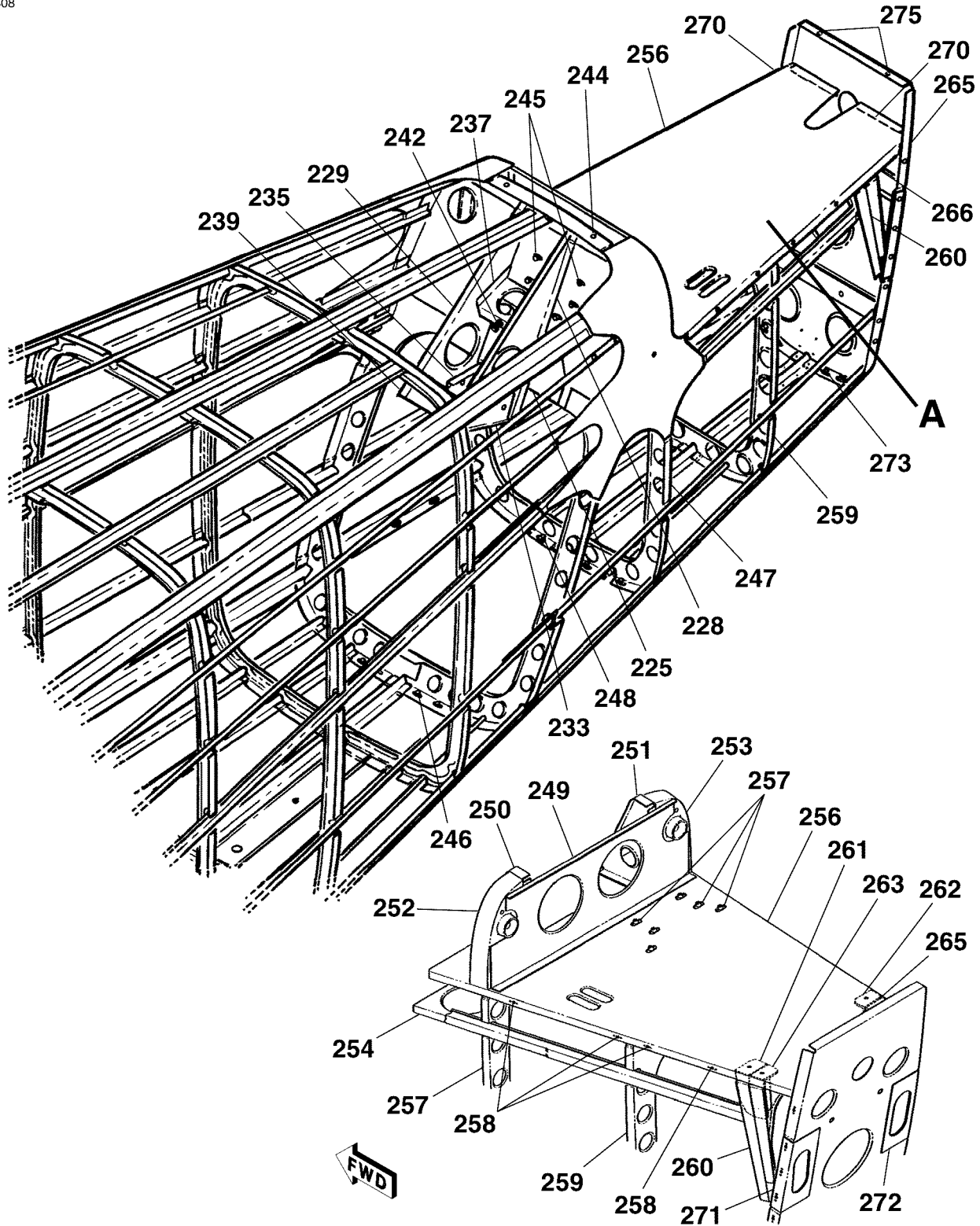
CESSNA®
MODEL 208
ILLUSTRATED PARTS CATALOG

FIG ITEM	PART NUMBER	NOMENCLATURE	UNITS PER ASSY		
			1	2	3
01					
150	2612052-3	. BULKHEAD-LH STA 337.60 FSO 2612052-201	0001	0414	NP
- 150A	2612052-7	. BULKHEAD-LH STA 337.60 FSO 2612052-201	B0214	B1254	
- 150B	2612052-11	. BULKHEAD-LH STA 337.60	0415	0584	NP
- 150C	2612052-201	. BULKHEAD-LH STA 337.60 SPARES	B1255	B5293	
151	2612052-2	. BULKHEAD-RH STA 337.60 FSO 2612052-202	0585	& ON	01 R
- 151A	2612052-6	. BULKHEAD-RH STA 337.60 FSO 2612052-202	B5294	& ON	
- 151B	2612052-8	. BULKHEAD-RH STA 337.60 FSO 2612052-202	0001	0229	NP
- 151C	2612052-12	. BULKHEAD-RH STA 337.60	B0214	B0340	
- 151D	2612052-202	. BULKHEAD-RH STA 337.60 SPARES	0230	0414	NP
152	2612053-3	. BULKHEAD-LH STA 352.40 .025 2024 T42	B0341	B1254	
153	2612053-2	. BULKHEAD-RH-STA 352.40 FSO 2612053-6	0415	0584	NP
- 153A	2612053-6	. BULKHEAD-RH STA 352.40 .025 2024 T42	B1255	B5293	
154	2612055-3	. BULKHEAD-LH STA 367.20 .025 2024 T42	0585	& ON	01 R
155	2612055-2	. BULKHEAD-RH STA 367.20 .025 2024 T42	B5294	& ON	
156	2612013-5	. BULKHEAD-LH STA 382.00 .025 2024 T42			01
157	2612013-6	. BULKHEAD-RH STA 382.00 .025 2024 T42			01
158	2612030-10	. BULKHEAD ASSY CANTED STA 388.68 FSO 2612030-33	0001	0229	NP
- 158A	2612030-33	. BULKHEAD ASSY CANTED STA 388.68	B0214	B0340	
- 159	2612030-11	. . BULKHEAD-LWR LH .040 2024 T42	0230	& ON	01
160	2612030-12	. . BULKHEAD-LWR RH .040 2024 T42	B0341	& ON	
161	2612030-31	. . BULKHEAD-UPPER .040 2024 T42 FSO 2612030-34			01
- 161A	2612030-34	. . BULKHEAD-UPPER .040 2024 T42	0001	0505	NP
- 162	2612030-14	. . ANGLE-GUSSET ATTACH .040 2024 T3	B0214	B2088	

- ITEM NOT ILLUSTRATED

CESSNA®
MODEL 208
ILLUSTRATED PARTS CATALOG

A24808



DETAIL A

TAILCONE STRUCTURE
FIGURE 01 (SHEET 4)

2612R3001
A2612R3002

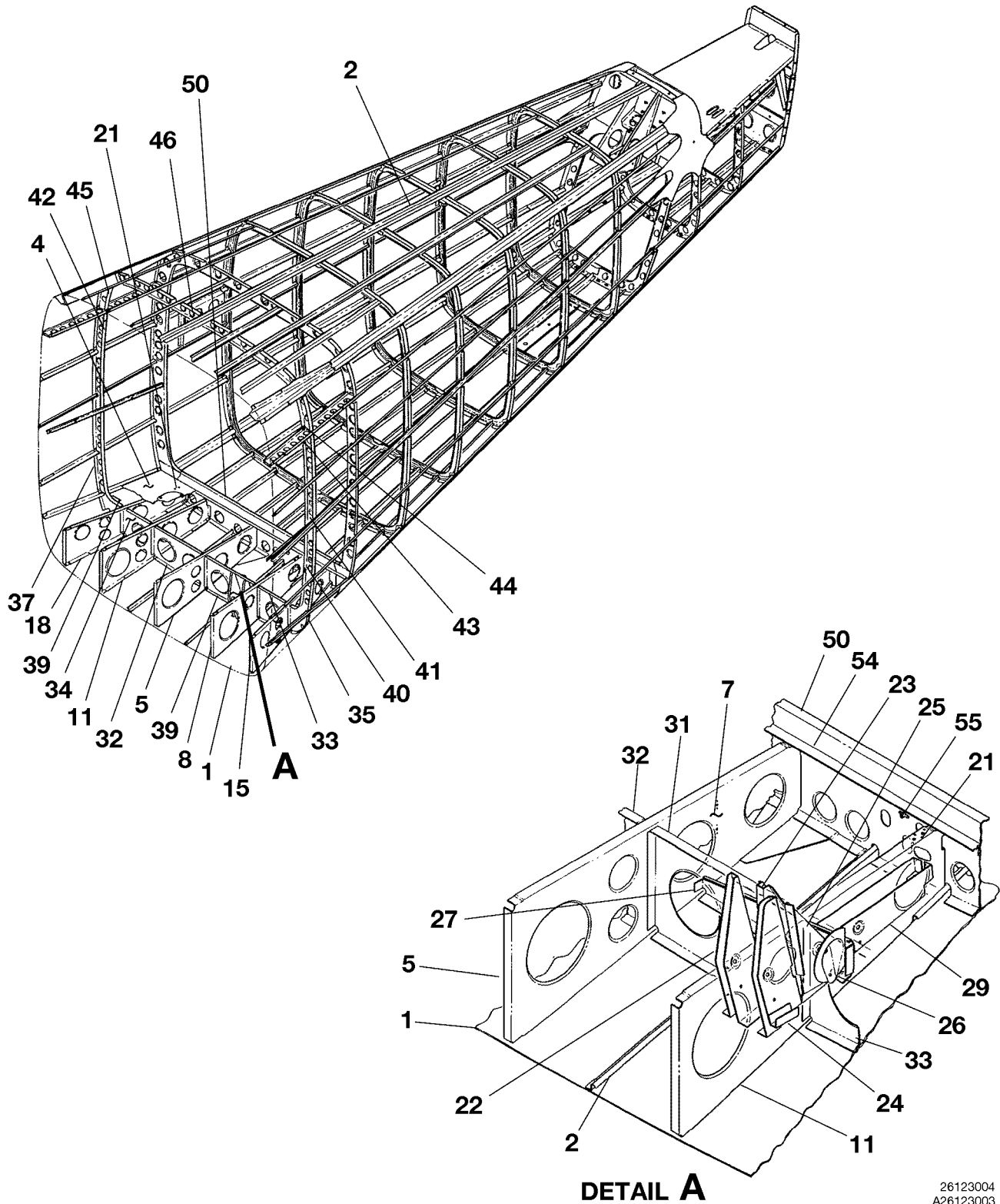
CESSNA®
MODEL 208
ILLUSTRATED PARTS CATALOG

FIG ITEM	PART NUMBER	NOMENCLATURE	1 2 3 4 5 6 7							UNITS PER ASSY
01										
225	2612030-18	DOUBLER-LWR .100 2024 T3								01
- 226	2612030-17	DOUBLER-UPR .125 2024 T3								01
- 227	2612030-32	DOUBLER-UPR .050 2024 T42								01
228	2612030-23	BRACKET ASSY-LH ELEVATOR BELLCRANK								01
229	2612030-22	BRACKET ASSY-RH ELEVATOR BELLCRANK								01
		ATTACHING PARTS								
- 230	AN3-5A	BOLT								02
- 231	NAS1149F0363P	WASHER								02
- 232	MS21044N3	NUT								02
		*								
233	2612030-21	STIFFENER-LH .063 2024 T3								01
- 234	2612030-26	STIFFENER-RH .063 2024 T3								01
235	2612030-30	ANGLE-RH .063 2024 T42								01
- 236	2612030-29	ANGLE-LH .063 2024 T42								01
237	2612086-1	SUPPORT ASSY-UPPER .063 2024 T42								01
- 238	MS21047L4	NUTPLATE								01
239	2612084-1	SUPPORT ASSY-LWR .063 2024 T42								01
- 240	MS21047L4	NUTPLATE								01
- 241	2612089-1	STIFFENER-BELLCRANK SUPPORT .050 2024 T3								01
242	NAS428H4A12	BOLT								02
- 243	NAS1423-4	JAM NUT								02
244	MS21047L3K	NUTPLATE								02
245	MS21047L3	NUTPLATE								06
246	MS21047L3K	NUTPLATE								06
247	2612065-1	BULKHEAD-LWR STA 404.60 .032 2024 T42						B0001 B5562		01 R
- 247A	2612065-2	BULKHEAD-LWR STA 404.60 .032 2024 T42						B5563 & ON		01 R
248	MS21047L3K	NUTPLATE								04
249	2612075-1	BULKHEAD-UPR STA 404.60 .040 2024 T42								01
250	2612076-1	LONGERON .040 2024 T42								01
251	2612076-2	LONGERON .040 2024 T42								01
252	2612077-2	FITTING-LH STABILIZER ATTACH								01
253	2612077-1	FITTING-RH STABILIZER ATTACH								01
254	2612069-1	GUSSET .040 2024 T42								01
- 255	2612069-2	RUB STRIP						0417 & ON		01
								B1278 & ON		
256	2612062-2	PAN ASSY FSO 2612062-4						0001 0131		NP
- 256A	2612062-4	PAN ASSY .040 2024 T42						0132 & ON		01
								B0214 & ON		
257	MS21059L3	NUTPLATE								06
258	NAS686A3K	NUTPLATE								08
259	2612058-1	BULKHEAD STA 416.75 .032 2024 T42						0001 0651		NP
								B0001 B5501		
- 259A	2612058-2	BULKHEAD STA 416.75 .032 2024 T42						0652 & ON		01
								B5502 & ON		
260	2612060-5	BULKHEAD ASSY CANTED STA 426.40								01
261	2612087-1	FITTING-FWD LH STABILIZER ATTACH								01
262	2612087-2	FITTING-FWD RH STABILIZER ATTACH								01
263	2612088-1	FITTING-AFT LH STABILIZER ATTACH								01
- 264	2612088-2	FITTING-AFT RH STABILIZER ATTACH								01
265	2612059-1	BULKHEAD ASSY CANTED STA 427.88						0001 0651		NP
								B0001 B5501		
- 265A	2612059-10	BULKHEAD ASSY CANTED STA 427.88						0652 & ON		01
								B5502 & ON		
266	2612059-8	STIFFENER UPR .040 2024 T42								01
- 267	2612059-6	DOUBLER UPR .100 2024 T3								01
- 268	2612059-7	STIFFENER LWR .040 2024 T42								01
- 269	2612059-5	DOUBLER LWR .063 2024 T3								01
270	2612059-9	ANGLE-PAN ATTACH .040 2024 T42								02
271	2612059-3	DOUBLER-LH .040 2024 T42								01
272	2612059-4	DOUBLER-RH .040 2024 T42								01
273	MS21047L3	NUTPLATE								16
- 274	NAS684A3	NUTPLATE								02
275	MS21047L3	NUTPLATE								02

- ITEM NOT ILLUSTRATED

CESSNA®
MODEL 208
ILLUSTRATED PARTS CATALOG

A24809



DETAIL A

26123004
A26123003

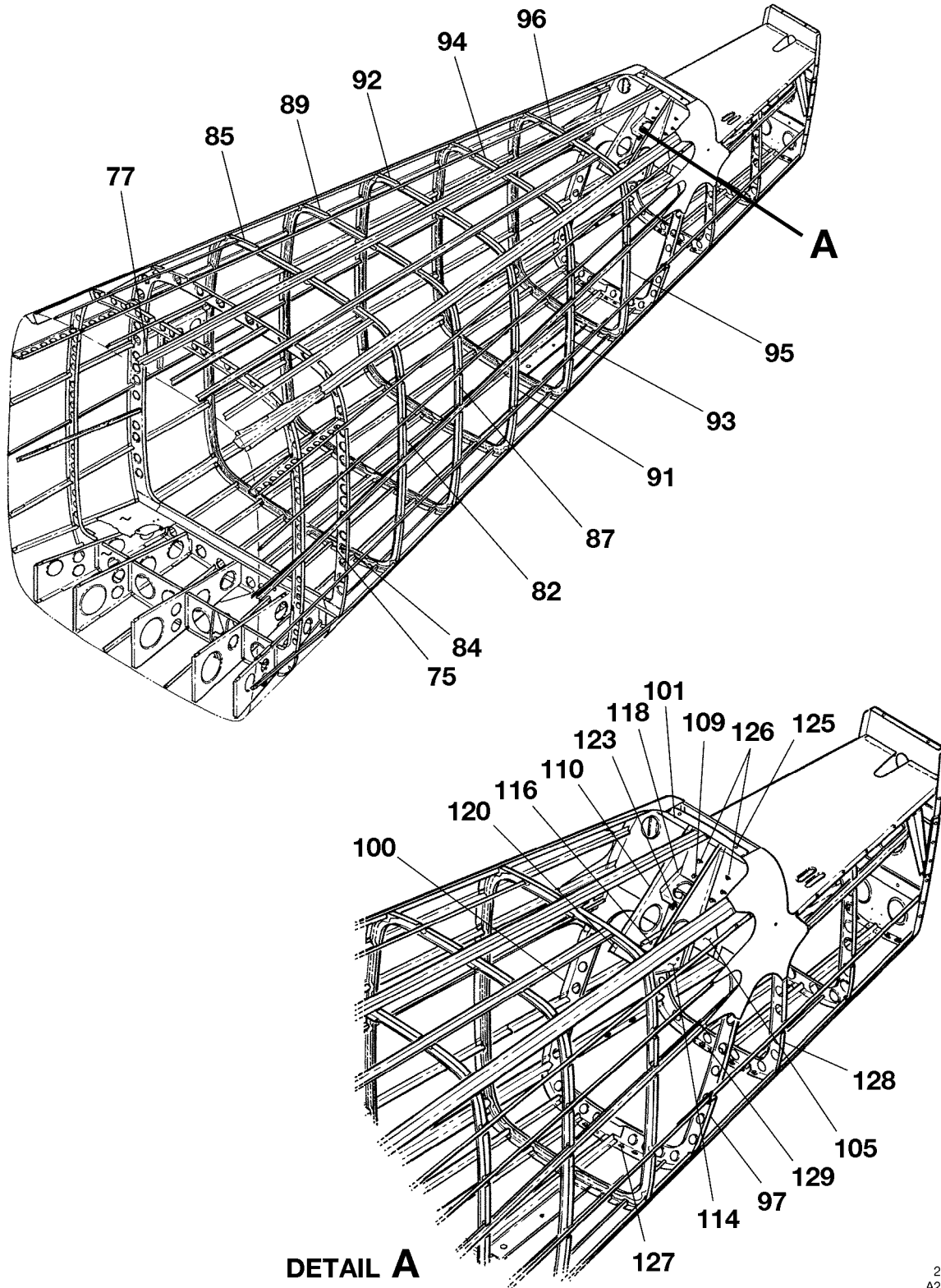
TAILCONE STRUCTURE - NOT APPLICABLE TO PASSENGER VERSION
FIGURE 02 (SHEET 1)

CESSNA®
MODEL 208
ILLUSTRATED PARTS CATALOG

FIG ITEM	PART NUMBER	NOMENCLATURE	UNITS PER ASSY	
			1 2 3 4 5 6 7	
02		TAILCONE STRUCTURE - NOT APPLICABLE TO PASSENGER VERSION	B0001	& ON RF
-		. TAILCONE SKINS & COMPONENTS REFER TO 53-14-00 FIGURE 01		RF
1		. TAILCONE STRINGERS & COMPONENTS REFER TO 53-14-00 FIGURE 01		RF
2		. DORSAL ASSY REFER TO 53-50-00 FIGURE 01		RF
- 3		. TAILCONE FLOORBOARD INSTALLATION REFER TO 53-20-02 FIGURE 01		RF
4		. LONGERON ASSY-CENTER .032 2024 T3 FSO 2612054-15	B0001	B0913 NP
5	2612054-1	. LONGERON ASSY-CENTER .032 2024 T3	B0914	& ON 01
- 6	2612054-15	. NUTPLATE		04
7	MS21047L3	. LONGERON ASSY-LH	B0001	B4999 01
8	2612054-5	. ANGLE-BAGGAGE TIE DOWN FWD .071 2024 T42		01
- 9	2612054-9	. ANGLE-BAGGAGE TIE DOWN AFT .071 2024 T42		01
10	2612054-7	. LONGERON ASSY-RH FSO 2612054-16	B0001	B0913 NP
11	2612054-6	. LONGERON ASSY-RH	B0914	B4999 01
- 12	2612054-16	. ANGLE-BAGGAGE TIE DOWN FWD .071 2024 T42		01
13	2612054-10	. ANGLE-BAGGAGE TIE DOWN AFT .071 2024 T42		01
- 14	2612054-8	. LONGERON ASSY-LH OUTBD		01
15	2612049-3	. ANGLE-BAGGAGE TIE DOWN FWD .071 2024 T42		01
- 16	2612049-5	. ANGLE-BAGGAGE TIE DOWN AFT .071 2024 T42		01
17	2612049-7	. LONGERON ASSY-RH OUTBD		01
- 18	2612049-4	. ANGLE-BAGGAGE TIE DOWN FWD .071 2024 T42		01
19	2612049-6	. ANGLE-BAGGAGE TIE DOWN AFT .071 2024 T42		01
- 20	2612049-8	. NUTPLATE-CARGO TIEDOWN		08
21	MS21047L3	. PULLEY BKT-RH RUDDER CABLE .040 2024 T42		01
22	2612083-1	. PULLEY BKT-LH RUDDER CABLE .040 2024 T42		01
23	2612082-1	. PULLEY BKT ASSY-ELEVATOR UP		01
24	2612074-1	. PULLEY BKT ASSY-ELEVATOR DN		01
25	2612073-1	. PULLEY SUPPORT-ELEVATOR DN .063 2024 T42		01
26	2612070-1	. STIFFENER ASSY		01
27	2612106-1	. RUB STRIP .062 PLASTIC		02
- 28	2612072-2	. PULLEY BKT-ELEVATOR TRIM FSO 2612071-2	B0001	B0298 NP R
29	2612071-1	. PULLEY BKT-ELEVATOR TRIM .040 2024 T3	B0299	& ON 01 R
- 30	2612071-2	. BULKHEAD-LH CTR STA 344.00 .032 2024 T3		01
31	2612064-1	. BULKHEAD-RH CTR STA 344.00 .032 2024 T3		01
32	2612064-2	. BULKHEAD-LH STA 344.00 .032 2024 T3		01
33	2612064-3	. BULKHEAD-RH STA 344.00 .032 2024 T3		01
34	2612064-4	. BULKHEAD ASSY-LH STA 344.00 FSO 2612122-1	B0001	B0305 NP
35	2612064-5	. BULKHEAD ASSY-LH STA 344.00	B0306	& ON 01
- 36	2612122-1	. BULKHEAD ASSY-RH STA 344.00 FSO 2612122-2	B0001	B0305 NP
37	2612064-6	. BULKHEAD ASSY-RH STA 344.00	B0306	& ON 01
- 38	2612122-2	. ANGLE		01
39	2612064-10	. NUTPLATE		02
40	MS21047L08	. BULKHEAD ASSY-LH STA 344.00 .025 2024 T42		01
41	2612092-3	. BULKHEAD ASSY-RH STA 344.00 .025 2024 T42		01
42	2612092-4	. NUTPLATE		02
43	MS21047L08	. BULKHEAD-LH STA 344.00 .032 2024 T42		01
44	2612064-17	. BULKHEAD-RH STA 344.00 .032 2024 T42		01
45	2612064-16	. BULKHEAD ASSY-UPR STA 344.00 FSO 2612064-19	B0001	B0241 NP
46	2612064-15	. BULKHEAD ASSY-UPR STA 344.00 FSO 2612064-19	B0242	B1170 NP
- 47	2612064-18	. BULKHEAD ASSY-UPR STA 344.00	B1171	& ON 01
48	2612064-19	. CLIP-HEADLINER .059DIA 1090 STRAIGHT		04
- 49	2615030-4	. BULKHEAD-LWR STA 356.00 FSO 2612011-12	B0001	B0298 NP
50	2612011-7	. BULKHEAD-LWR STA 356.00 .032 2024 T42	B0299	B0983 01
- 51	2612011-12	. BULKHEAD-LWR STA 356.00 .032 2024 T42	B0984	B2232 01
52	2612011-15	. BULKHEAD-LWR STA 356.00 .032 2024 T42	B2233	& ON 01
- 53	2612011-17	. ANGLE .032 2024 T3		01
54	2612011-8	. NUTPLATE		02
55	MS21047L04			

CESSNA®
MODEL 208
ILLUSTRATED PARTS CATALOG

A24810



TAILCONE STRUCTURE - NOT APPLICABLE TO PASSENGER VERSION
FIGURE 02 (SHEET 2)

26123004
A26123004

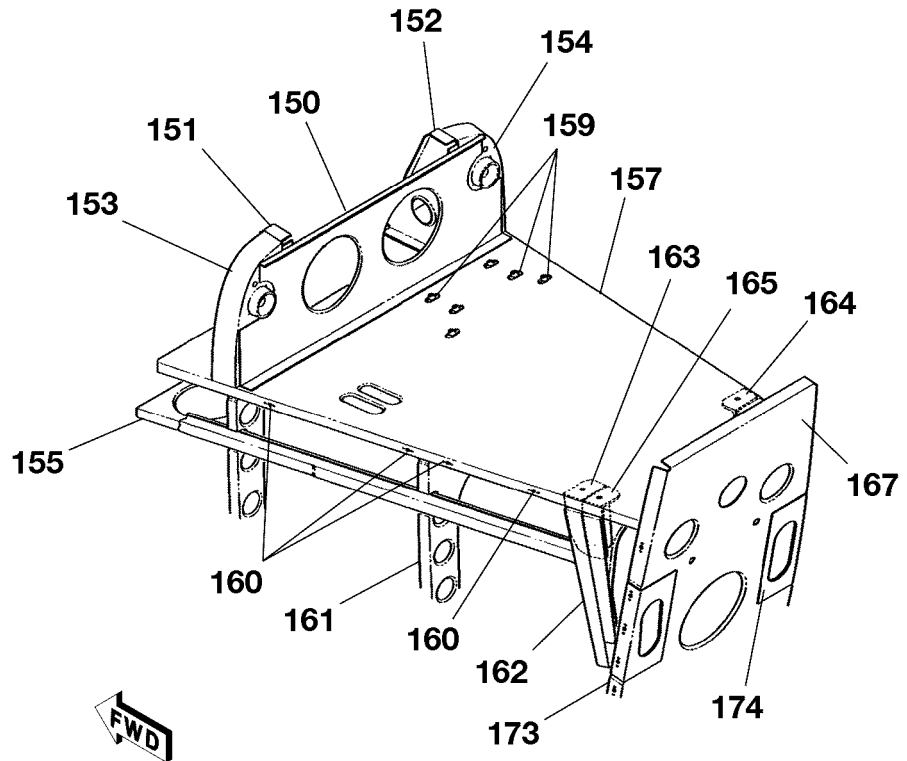
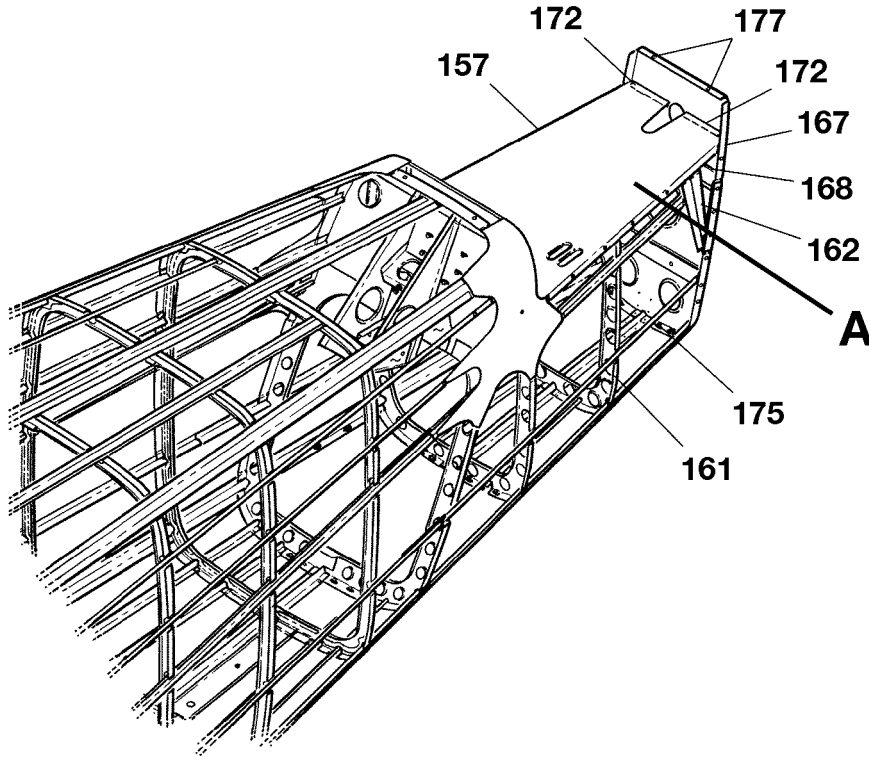
CESSNA®
MODEL 208
ILLUSTRATED PARTS CATALOG

FIG ITEM	PART NUMBER	NOMENCLATURE	UNITS PER ASSY		
			1	2	3
02					
75	2612011-3	. BULKHEAD-LH STA 356.00 FSO 2612011-11	B0001	B0054	01 R
- 76	2612011-11	. BULKHEAD-LH STA 356.00 .025 2024 T42	B0055	B2232	01
- 76A	2612011-19	. BULKHEAD-LH STA 356.00 .025 2024 T42	B2233	B2415	01
- 76B	2612011-29	. BULKHEAD-LH STA 356.00 .025 2024 T42	B2416	& ON	01
77	2612011-4	. BULKHEAD-RH STA 356.00 FSO 2612011-10	B0001	B0054	01
- 78	2612011-10	. BULKHEAD-RH STA 356.00 .025 2024 T42	B0055	B2232	01
- 78A	2612011-18	. BULKHEAD-RH STA 356.00 .025 2024 T42	B2233	B2415	01
- 78B	2612011-30	. BULKHEAD-RH STA 356.00 .025 2024 T42	B2416	& ON	01
- 79	MS21047L08	. NUTPLATE			12
- 80	MS21047L3	. NUTPLATE	B0055	& ON	08
- 81	2615028-1	. HANGER-HEADLINER .062DIA 1020			06
82	2612051-5	. BULKHEAD-LH STA 370.80 .025 2024 T42	B0001	B1254	01
- 83	2612051-7	. BULKHEAD-LH STA 370.80 .025 2024 T42	B1255	B5293	01
- 83A	2612051-9	. BULKHEAD-LH STA 370.80 .025 2024 T42	B5294	& ON	01
84	2512159-2	. SHIELD-CONTROL CABLE .060 POLYCARBONATE			01
85	2612051-2	. BULKHEAD-RH STA 370.80 .025 2024 T42	B0001	B1254	01
- 86	2612051-8	. BULKHEAD-RH STA 370.80 .025 2024 T42	B1255	B5293	01
- 86A	2612051-10	. BULKHEAD-RH STA 370.80 .025 2024 T42	B5294	& ON	01
87	2612052-3	. BULKHEAD-LH STA 385.60 .025 2024 T42	B0001	B1254	01
- 88	2612052-7	. BULKHEAD-LH STA 385.60 .025 2024 T42	B1255	& ON	01
89	2612052-6	. BULKHEAD-RH STA 385.60 .025 2024 T42	B0001	B1254	01
- 90	2612052-8	. BULKHEAD-RH STA 385.60 .025 2024 T42	B1255	& ON	01
91	2612053-3	. BULKHEAD-LH STA 400.40 .025 2024 T42			01
92	2612053-2	. BULKHEAD-RH STA 400.40 .025 2024 T42			01
93	2612055-3	. BULKHEAD-LH STA 415.20 .025 2024 T42			01
94	2612055-2	. BULKHEAD-RH STA 415.20 .025 2024 T42			01
95	2612013-5	. BULKHEAD-LH STA 430.00 .025 2024 T42			01
96	2612013-6	. BULKHEAD-RH STA 430.00 .025 2024 T42			01
97	2612030-10	. BULKHEAD ASSY CANTED STA 436.68 FSO 2612030-33	B0001	B2088	NP
- 98	2612030-33	. BULKHEAD ASSY CANTED STA 436.68	B2089	& ON	01
- 99	2612030-11	. BULKHEAD-LWR LH .040 2024 T42			01
100	2612030-12	. BULKHEAD-LWR RH .040 2024 T42			01
101	2612030-31	. BULKHEAD-UPR .040 2024 T42 FSO 2612030-34	0001	& ON	NP
- 102	2612030-34	. BULKHEAD-UPR	B0001	B2088	
- 103	MS21075L08N	. NUTPLATE	B2089	& ON	01
- 104	2612030-14	. ANGLE-GUSSET ATTACH .040 2024 T3	B2089	& ON	04
105	2612030-18	. DOUBLER-LWR .100 2024 T3			01
- 106	2612030-17	. DOUBLER-UPR .125 2024 T3			01
- 107	2612030-20	. DOUBLER-UPR FSO 2612030-32	B0001	B0241	NP
- 108	2612030-32	. DOUBLER-UPR .050 2024 T42	B0242	& ON	01
109	2612030-23	. BRACKET ASSY-LH ELEVATOR BELLCRANK			01
110	2612030-22	. BRACKET ASSY-RH ELEVATOR BELLCRANK ATTACHING PARTS			01
- 111	AN3-5A	. BOLT			02
- 112	NAS1149F0363P	. WASHER			02
- 113	MS21044N3	. NUT			02
114	2612030-21	. STIFFENER-LH .063 2024 T3			01
- 115	2612030-26	. STIFFENER-RH .063 2024 T3			01
116	2612030-28	. ANGLE-RH .063 2024 T42			01
- 117	2612030-27	. ANGLE-LH .063 2024 T42			01
118	2612086-1	. SUPPORT ASSY-UPR .063 2024 T42			01
- 119	MS21047L4	. NUTPLATE			01
120	2612084-1	. SUPPORT ASSY-LWR .063 2024 T42			01
- 121	MS21047L4	. NUTPLATE			01
- 122	2612089-1	. STIFFENER-BELLCRANK SUPPORT .050 2024 T3			01
123	NAS428H4A12	. BOLT			02
- 124	NAS1423-4	. JAM NUT			02
125	MS21047L3K	. NUTPLATE			02
126	MS21047L3	. NUTPLATE			06
127	MS21047L3K	. NUTPLATE			06
128	2612065-1	. BULKHEAD-LWR STA 452.60 .032 2024 T42			01
129	MS21047L3K	. NUTPLATE			04

- ITEM NOT ILLUSTRATED

CESSNA®
MODEL 208
 ILLUSTRATED PARTS CATALOG

A90120



DETAIL A

26123004
 A26123002

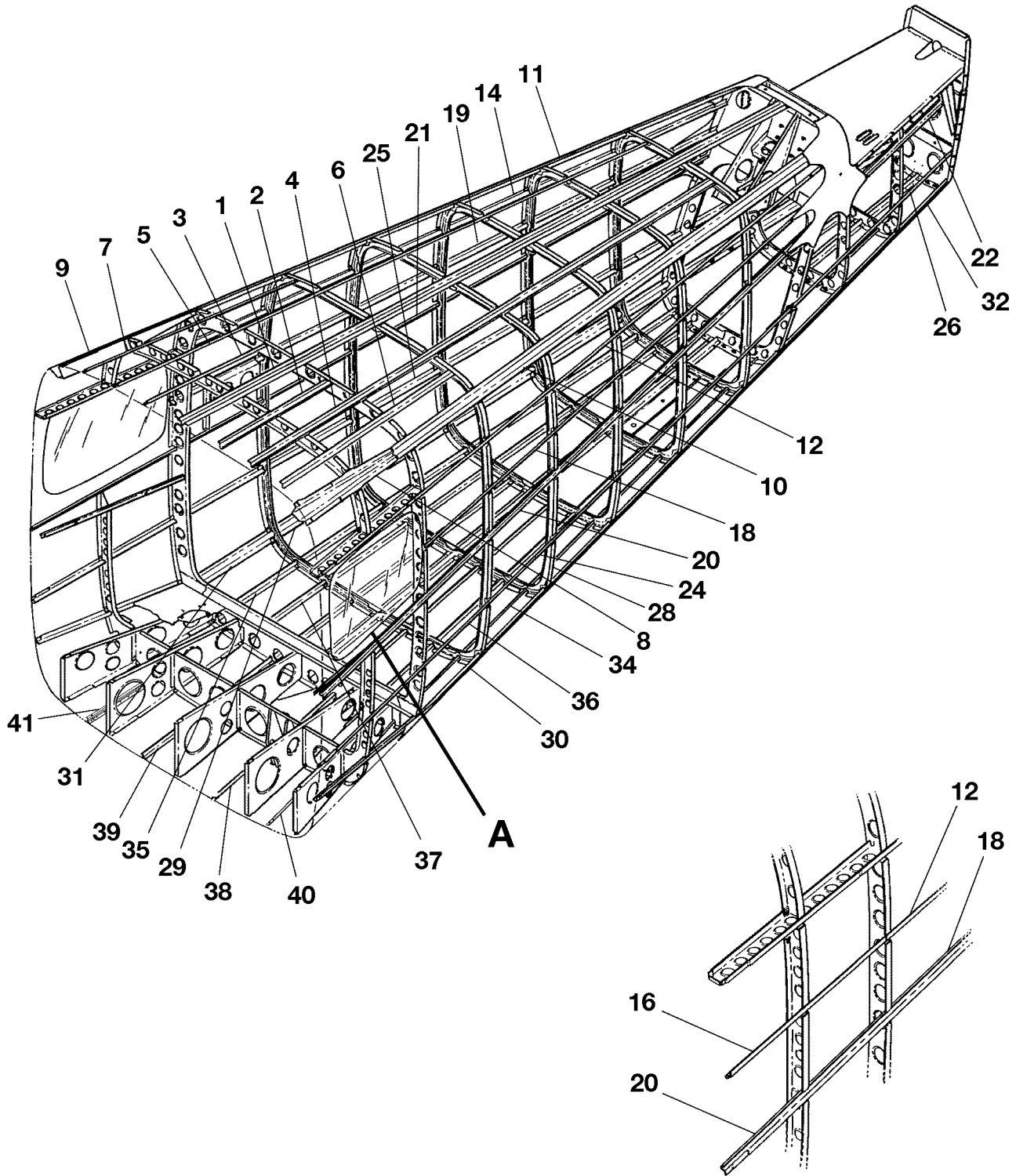
TAILCONE STRUCTURE - NOT APPLICABLE TO PASSENGER VERSION
 FIGURE 02 (SHEET 3)

CESSNA®
MODEL 208
ILLUSTRATED PARTS CATALOG

FIG ITEM	PART NUMBER	NOMENCLATURE	UNITS PER ASSY							
			1	2	3	4	5	6	7	
02										
150	2612075-1	. BULKHEAD-UPR STA 452.60 .040 2024 T42								01
151	2612076-1	. LONGERON .040 2024 T42								01
152	2612076-2	. LONGERON .040 2024 T42								01
153	2612077-2	. FITTING-LH STABILIZER ATTACH								01
154	2612077-1	. FITTING-RH STABILIZER ATTACH								01
155	2612069-1	. GUSSET .040 2024 T42								01
- 156	2612069-2	. RUB STRIP						B1278	& ON	01
157	2612062-2	. PAN ASSY FSO 2612062-4						B0001	B0054	NP
- 158	2612062-4	. PAN ASSY .040 2024 T42						B0055	& ON	01
159	MS21059L3	. . NUTPLATE								06
160	NAS686A3K	. NUTPLATE								08
161	2612058-1	. BULKHEAD STA 464.75 .032 2024 T42						B0001	B5501	01
- 161A	2612058-2	. BULKHEAD STA 464.75 .032 2024 T42						B5502	& ON	01
162	2612060-5	. BULKHEAD ASSY CANTED STA 474.40								01
163	2612087-1	. . FITTING-FWD LH STABILIZER ATTACH								01
164	2612087-2	. . FITTING-FWD RH STABILIZER ATTACH								01
165	2612088-1	. . FITTING-AFT LH STABILIZER ATTACH								01
- 166	2612088-2	. . FITTING-AFT RH STABILIZER ATTACH								01
167	2612059-1	. BULKHEAD ASSY CANTED STA 475.88						0001	0651	NP
- 167A	2612059-10	. BULKHEAD ASSY CANTED STA 475.88						B0001	B5501	
								0652	& ON	01
								B5502	& ON	
168	2612059-8	. . STIFFENER UPR .040 2024 T42								01
- 169	2612059-6	. . DOUBLER UPR .100 2024 T3								01
- 170	2612059-7	. . STIFFENER LWR .040 2024 T42								01
- 171	2612059-5	. . DOUBLER LWR .063 2024 T3								01
172	2612059-9	. . ANGLE-PAN ATTACH .040 2024 T42								02
173	2612059-3	. . DOUBLER-LH .040 2024 T42								01
174	2612059-4	. . DOUBLER-RH .040 2024 T42								01
175	MS21047L3	. . NUTPLATE								16
- 176	NAS684A3	. . NUTPLATE								02
177	MS21047L3	. . NUTPLATE								02
- 178	MS21075L08N	. . NUTPLATE						B2089	& ON	04

CESSNA®
MODEL 208
ILLUSTRATED PARTS CATALOG

A24811



TAILCONE STRINGERS AND COMPONENTS
FIGURE 03 (SHEET 1)

DETAIL A

26123001
A26121004

CESSNA®
MODEL 208
ILLUSTRATED PARTS CATALOG

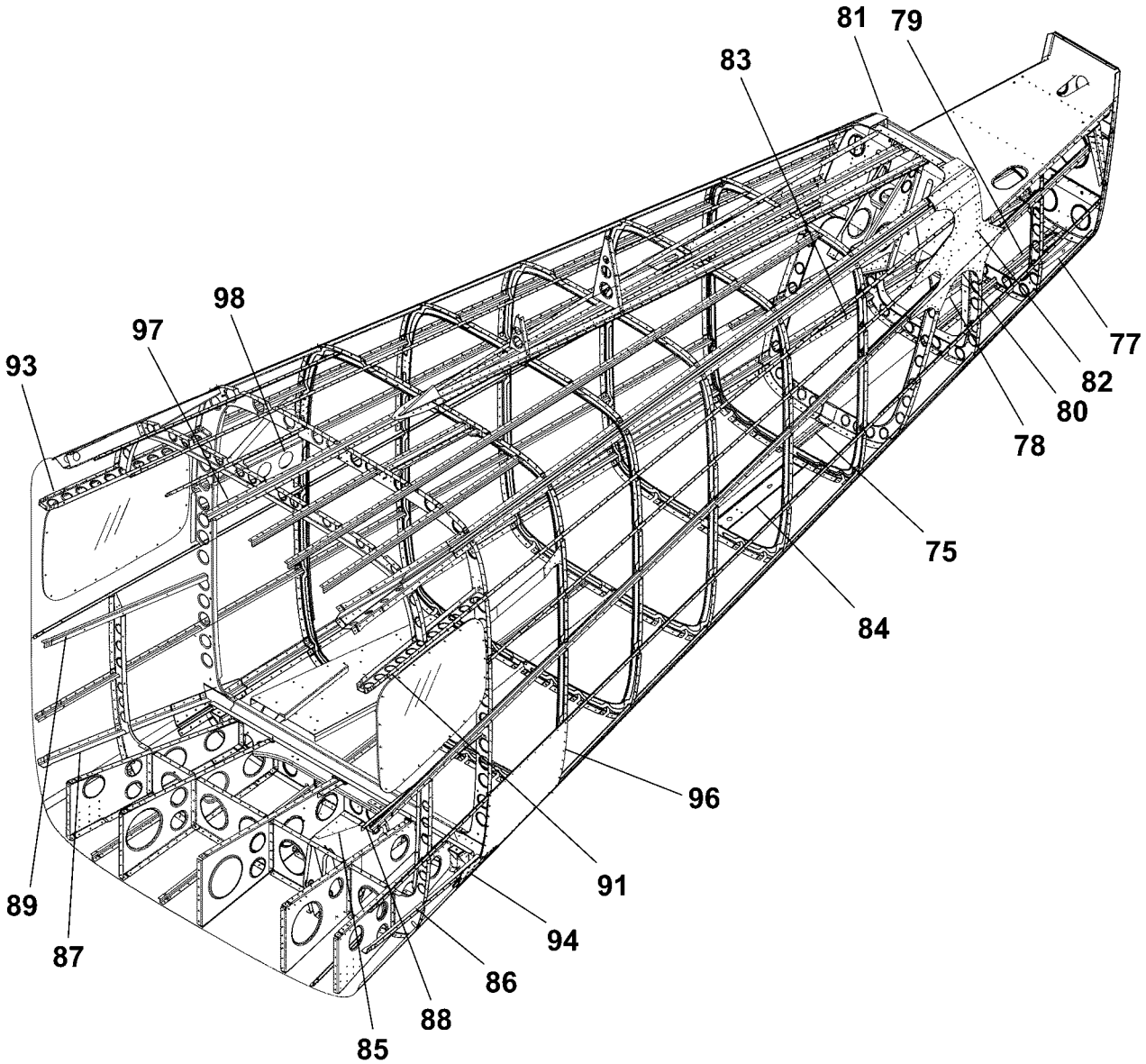
FIG ITEM	PART NUMBER	NOMENCLATURE	UNITS	
			PER	ASSY
03		TAILCONE STRINGERS AND COMPONENTS		RF
-				
1	2612079-5	. STRINGER-UPR CTR S1125-1		01
2	2612079-7	. STRINGER-LH S282		01
3	2612079-6	. STRINGER-RH S282		01
4	2612079-3	. STRINGER-LH S1662-1		01
5	2612079-4	. STRINGER-RH S1662-1		01
6	2612079-1	. STRINGER-LH S282		01
7	2612079-2	. STRINGER-RH S282		01
8	2612048-1	. CHANNEL-LH .040 2024 T42		01
9	2612048-2	. CHANNEL-RH .040 2024 T42 FSO 2612048-4	0001 0348	NP
- 9A	2612048-4	. CHANNEL-RH .040 2024 T42	B0001 B0913 0349 & ON B0914 & ON	01
10	2612078-1	. STRINGER-LH S2653-1		01
11	2612078-2	. STRINGER-RH S2653-1		01
12	2612078-3	. STRINGER-LH FSO 2612078-25	0001 0235 B0001 B0377	NP
- 13	2612078-25	. STRINGER-LH S1662-1	0236 & ON B0378 & ON	01
14	2612078-4	. STRINGER-RH FSO 2612078-26	0001 0235 B0001 B0377	NP
- 15	2612078-26	. STRINGER-RH S1662-1	0236 & ON B0378 & ON	01
16	2612078-21	. STRINGER-LH S282	0007 & ON B0001 & ON	01
- 17	2612078-22	. STRINGER-RH S282	0007 & ON B0001 & ON	01
18	2612078-5	. STRINGER-LH S282 FSO 2612078-27	0001 0403 B0214 B1231	NP
- 18A	2612078-27	. STRINGER-LH S282	0404 & ON B1232 & ON	01
19	2612078-6	. STRINGER-RH S282 FSO 2612078-28	0001 0403 B0214 B1231	NP
- 19A	2612078-28	. STRINGER-RH S282	0404 & ON B1232 & ON	01
20	2612078-7	. STRINGER-LH S282		01
21	2612078-8	. STRINGER-RH S282		01
22	2612078-13	. STRINGER-LH S282		01
- 23	2612078-14	. STRINGER-RH S282		01
24	2612078-9	. STRINGER-LH S282		01
25	2612078-10	. STRINGER-RH S282		01
26	2612078-15	. STRINGER-LH S282		01
- 27	2612078-16	. STRINGER-RH S282		01
28	2612078-11	. STRINGER-LH S2653-1		01
29	2612078-12	. STRINGER-RH S2653-1		01
30	2612078-23	. STRINGER-LH S2653-2		01
31	2612078-24	. STRINGER-RH S2653-2		01
32	2612078-17	. STRINGER-LH S2653-2		01
- 33	2612078-18	. STRINGER-RH S2653-2		01
34	2612080-2	. STRINGER-LH S49-1	0001 0559 B0001 B5114	01
- 34A	2612080-9	. STRINGER-LH S49-1	0560 & ON B5115 & ON	01
35	2612080-3	. STRINGER-RH S49-1	0001 0559 B0001 B5114	01
- 35A	2612080-10	. STRINGER-RH S49-1	0560 & ON B5115 & ON	01
36	2612080-4	. STRINGER-LH S49-1		01
37	2612080-5	. STRINGER-RH S49-1		01
- 37A	2601525-3	. DOUBLER-TAIL PROP UNIT-USED FOR TKS AT F.S 420.50 REFER TO NOTE 1		01
- 37B	2601525-203	. DOUBLER-TAIL PROP UNIT-USED FOR TKS AT F.S 420.50 SPARES REFER TO NOTE 1	B0001 B1999	01
38	2612080-6	. STRINGER-LH S1662-1		01
39	2612080-7	. STRINGER-RH S1662-1		01
40	2612066-1	. STIFFENER-TAILCONE LH	0524 & ON B2240 & ON	01
41	2612066-2	. STIFFENER-TAILCONE RH	0524 & ON B2240 & ON	01

NOTE 1—THIS PART WAS INSTALLED WITH TKS SYSTEMS ON PRODUCTION AIRCRAFT AND IS ALSO AFFECTED BY ONE OR MORE OF THE FOLLOWING SERVICE BULLETINS OR KITS: SK208-174, SK208-175, SK208-179, SK208-180, CAB09-9, AND CAB08-7. PLEASE REFER TO THE SPECIFIC CAB OR SERVICE KIT FOR SERIAL SPECIFIC ORDERING INFORMATION.

- ITEM NOT ILLUSTRATED

CESSNA®
MODEL 208
ILLUSTRATED PARTS CATALOG

A24812



26123001

TAILCONE STRINGERS AND COMPONENTS
FIGURE 03 (SHEET 2)

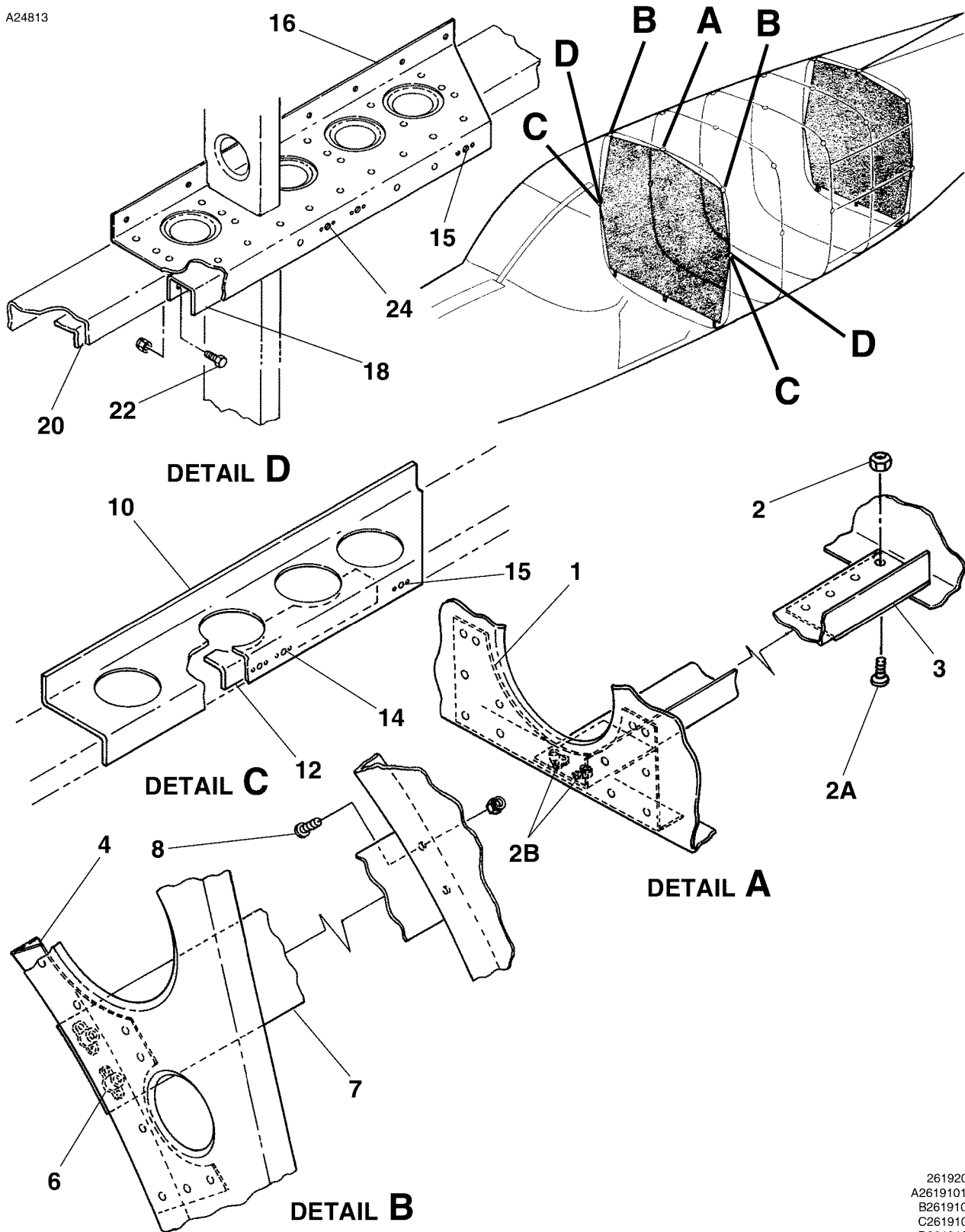
CESSNA®
MODEL 208
 ILLUSTRATED PARTS CATALOG

FIG ITEM	PART NUMBER	NOMENCLATURE	UNITS PER ASSY		
			1	2	3
03					
75	2612080-1	. STRINGER-LWR CTR FSO 2612080-8	0001	0199	NP
- 76	2612080-8	. STRINGER-LWR CTR S370	B0001	B0247	
			0200	& ON	01
			B0248	& ON	
77	2612081-1	. STRINGER S49			01
78	2612081-2	. STRINGER S49			01
79	2612081-4	. STRINGER S1125-1			01
80	2612000-10	. DOUBLER-LH .050 2024 T3			01
81	2612000-11	. DOUBLER-RH .050 2024 T3			01
- 81A	MS21073L3	. NUTPLATE USED ON 2612081-1 STRINGER			02
82	NAS686A3K	. NUTPLATE			02
83	MS21047L3K	. NUTPLATE			06
84	2670021-1	. DOUBLER-MARKER BEACON .032 2024 T3			01
85	2612041-1	. DOUBLER .032 2024 T3			01
86	2612050-3	. SUPPORT BRACKET-LH-FLOORBOARD .063 2024 T42			01
87	2612050-4	. SUPPORT BRACKET-RH-FLOORBOARD .063 2024 T42			01
88	2612061-5	. STIFFENER ASSY-LH .032 2024 T3	0001	& ON	01
			B0214	& ON	
89	2612061-6	. STIFFENER ASSY-RH .032 2024 T3	0001	& ON	01
			B0214	& ON	
- 90	MS21047L08	. . NUTPLATE			03
91	2612061-7	. STIFFENER ASSY-LH .025 2024 T3	0001	0359	01
			B0001	B0977	
- 92	MS21047L08	. . NUTPLATE			03
- 92A	2612061-9	. STIFFENER ASSY-LH .025 2024 T3	0360	& ON	01
			B0978	& ON	
- 92B	MS21047-08	. . NUTPLATE			03
93	2612061-8	. STIFFENER ASSY-RH .025 2024 T3	0001	0359	01
			B0001	B0977	
- 93A	MS21047L08	. . NUTPLATE			03
- 93B	2612061-10	. STIFFENER ASSY-RH .025 2024 T3	0360	& ON	01
			B0978	& ON	
- 93C	MS21047-08	. . NUTPLATE			03
94	2612056-1	. SPLICE-LH .032 2024 T42			01
- 95	2612056-2	. SPLICE-RH .032 2024 T42			01
96	2612000-23	. SKIN DOUBLER .032 2024 T3	B5563	& ON	01 R
97	2612046-1	. STIFFENER .025 2024 T3			01
98	1270623-5	. BRACKET ASSY FSO 1270623-7	0001	0127	01
			B0001	B0073	
- 99	1270623-7	. BRACKET ASSY .025 2024 T3	0128	0403	01
			B0074	B1231	
- 99A	2612143-3	. BRACKET ASSY-CONVERTER	0404	0499	01
			B1232	B1999	
- 100	MS21047L3	. . NUTPLATE			02
- 101	NAS682A06	. . NUTPLATE	0128	& ON	02
			B0074	& ON	

- ITEM NOT ILLUSTRATED

CESSNA®
MODEL 208
 ILLUSTRATED PARTS CATALOG

A24813



CARGO TIE DOWN STRUCTURE COMPONENTS CARGOMASTER
 FIGURE 01 (SHEET 1)

26192003
 A26191013A
 B26191014
 C26191044
 D26191051

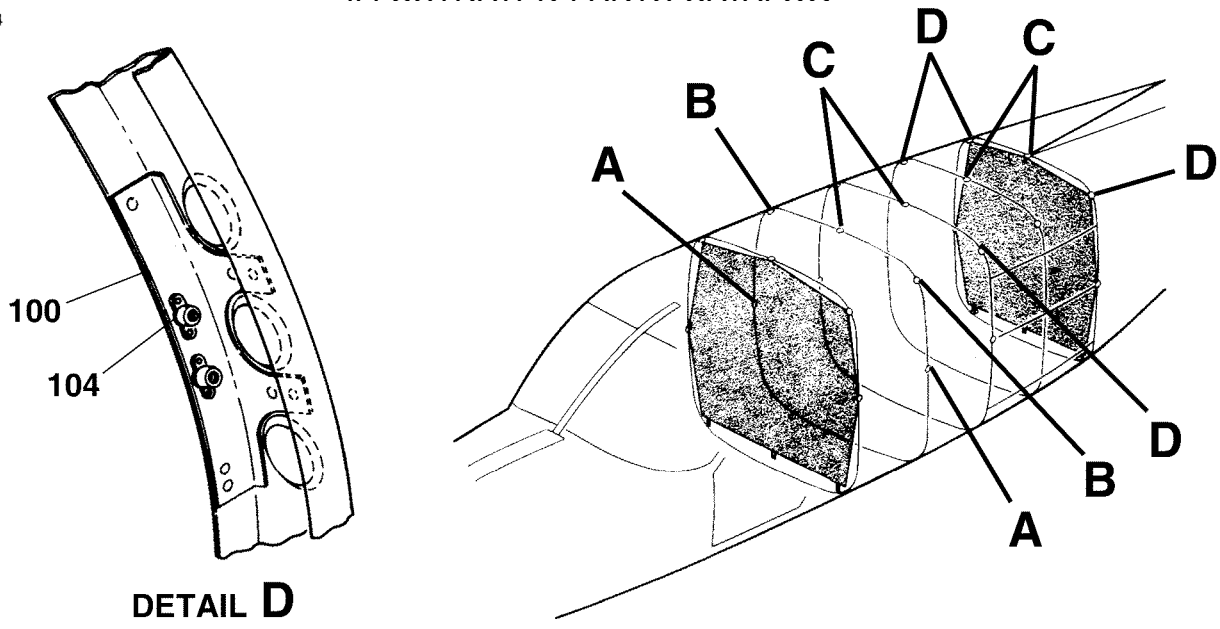
CESSNA®
MODEL 208
ILLUSTRATED PARTS CATALOG

FIG ITEM	PART NUMBER	NOMENCLATURE	UNITS PER ASSY		
			1	2	3
01		CARGO TIE DOWN STRUCTURE COMPONENTS CARGOMASTER	0123	& ON	RF
-			0119	& ON	
1	2601247-1	. SUPPORT STA 181.50 .040 4130 90K			01
2	MS21044N3	. NUT			02
2A	AN525-10R11	. SCREW			02
2B	MS21073L3	. NUTPLATE			02
3	2601247-75	. SUPPORT STA 195.813 .050 4130 90K			01
4	2601247-5	. SUPPORT-LH STA 181.50 .040 4130 90K			01
- 5	2601247-6	. SUPPORT-RH STA 181.50 .040 4130 90K			01
6	MS21069L3	. NUTPLATE			02
7	2601247-69	. BRACE .050 4130 90K			02
		ATTACHING PARTS			
8	AN525-10R11	. SCREW			04
- 9	MS21044N3	. NUT			04
		—*			
10	2601247-86	. SUPPORT-RH STA 181.50 .040 4130 90K			01
- 11	2601247-85	. SUPPORT-LH STA 181.50 .040 4130 90K			01
12	2601247-76	. SUPPORT-RH STA 181.50 .040 4130 90K			01
- 13	2601247-77	. SUPPORT-LH STA 181.50 .040 4130 90K			01
14	MS21069L3	. NUTPLATE			04
15	MS21047L08	. NUTPLATE			02
16	2601247-80	. SUPPORT-RH STA 181.50 CARGOMASTER .040 4130 90K FSO	0001	0585	NP
		2601247-116	B0001	B5299	
- 16A	2601247-116	. SUPPORT-RH STA 181.50 CARGOMASTER .040 4130 90K	0586	& ON	01
			B5300	& ON	
- 17	2601247-79	. SUPPORT-LH STA 181.50 CARGOMASTER .040 4130 90K FSO	0001	0585	NP
		2601247-117	B0001	B5299	
- 17A	2601247-117	. SUPPORT-LH STA 181.50 CARGOMASTER .040 4130 90K	0586	& ON	01
			B5300	& ON	
18	2601247-82	. CHANNEL-RH STA 181.50 CARGOMASTER .040 4130 90K			01
- 19	2601247-81	. CHANNEL-LH STA 181.50 CARGOMASTER .040 4130 90K			01
20	2601247-84	. SUPPORT-RH STA 181.50 CARGOMASTER .040 4130 90K			01
- 21	2601247-83	. SUPPORT-LH STA 181.50 CARGOMASTER .040 4130 90K			01
22	AN3-4A	. BOLT CARGOMASTER			05
- 23	MS21044N3	. NUT CARGOMASTER			05
24	MS2147L3	. NUTPLATE CARGOMASTER			04

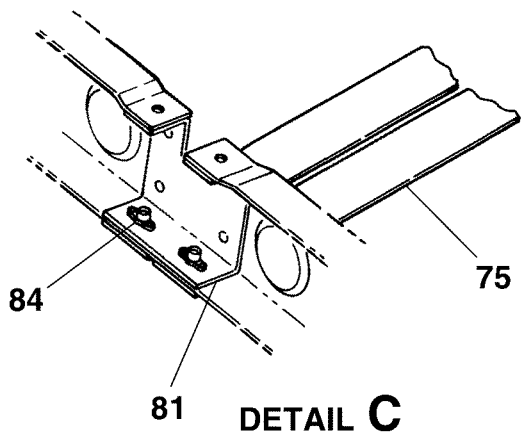
- ITEM NOT ILLUSTRATED

CESSNA®
MODEL 208
 ILLUSTRATED PARTS CATALOG

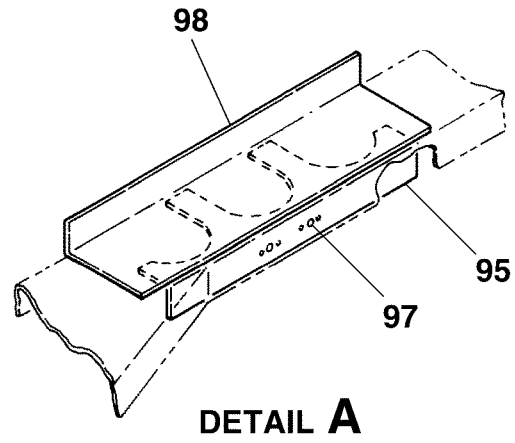
A24814



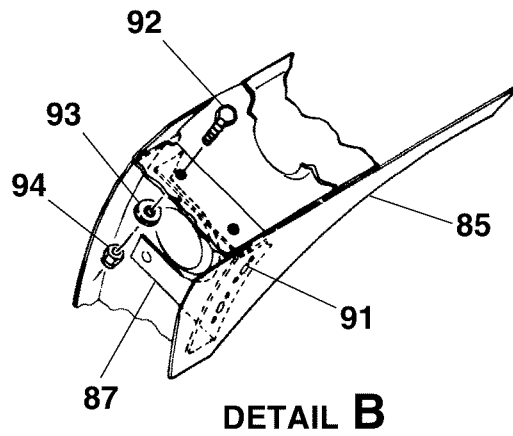
DETAIL D



DETAIL C



DETAIL A



DETAIL B

CARGO TIE DOWN STRUCTURE COMPONENTS CARGOMASTER
 FIGURE 01 (SHEET 2)

26192003
 A26191045
 B26191018B
 C26191017
 D26191020

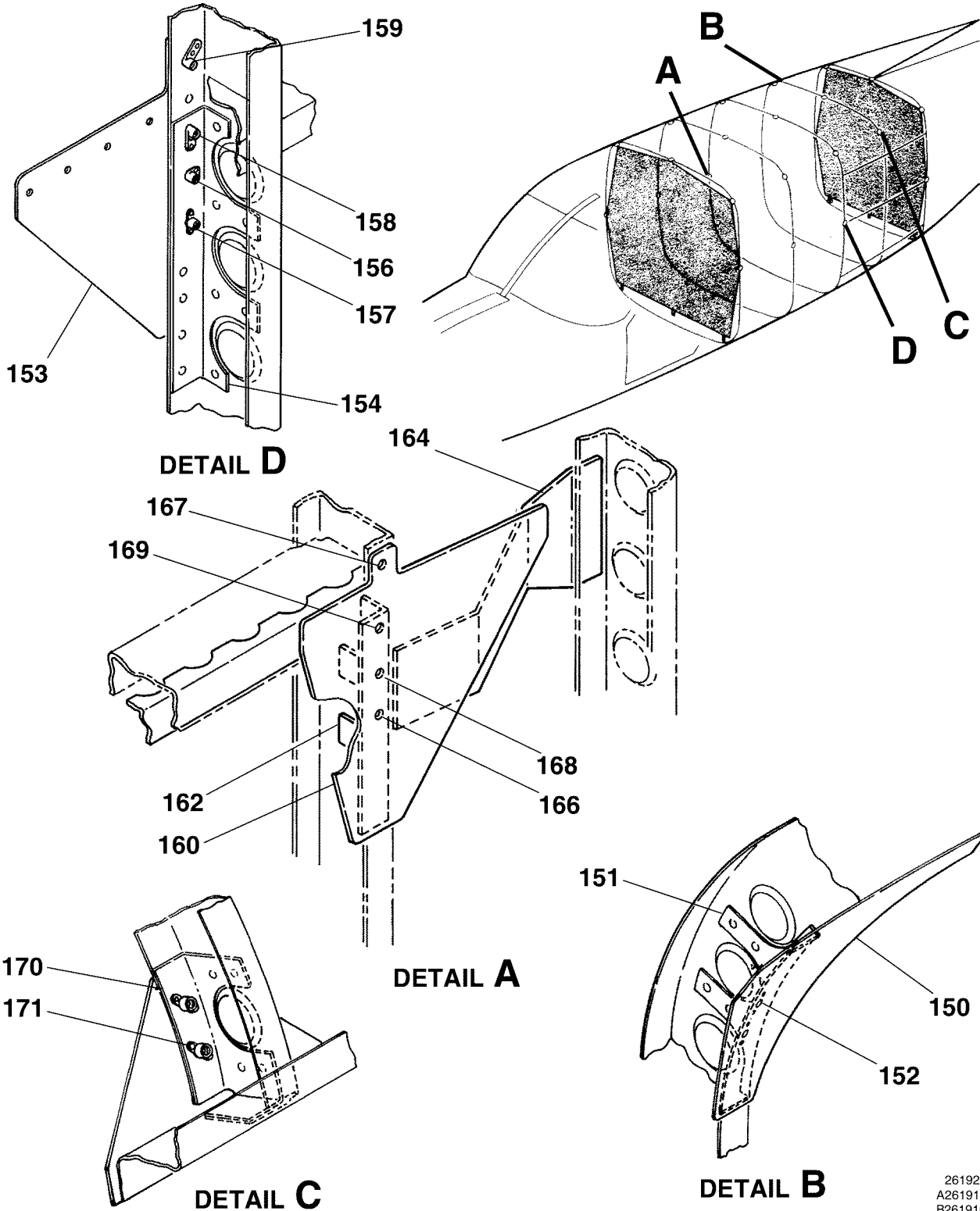
CESSNA®
MODEL 208
ILLUSTRATED PARTS CATALOG

FIG ITEM	PART NUMBER	NOMENCLATURE	UNITS PER ASSY																	
			1	2	3	4	5	6	7											
01																				
75	2601247-3	. BRACE-LH STA 208.00 .040 4130 90K																		01
- 76	2601247-4	. BRACE-RH STA 208.00 .040 4130 90K																		01
- 77	2601247-7	. BRACE-LH STA 234.00 & 259.00 .040 4130 90K																		02
- 78	2601247-8	. BRACE-RH STA 234.00 & 259.00 .040 4130 90K																		02
- 79	2601247-27	. BRACE-LH STA 284.00 .040 4130 90K																		01
- 80	2601247-28	. BRACE-RH STA 284.00 .040 4130 90K																		01
81	2601247-11	. SUPPORT ASSY-BHD STA 208.00 .040 4130 90K																		01
- 82	2601247-14	. SUPPORT ASSY-BHD STA 234.00 & 259.00 .040 4130 90K								0123	0585									01 R
- 82A	2601247-17	. SUPPORT ASSY-BHD STA 234.00 & 259.00								0586	& ON									01 R
- 83	2601247-17	. SUPPORT ASSY-BHD STA 284.00 .040 4130 90K																		01
84	MS21069L3	. NUTPLATE																		02
85	2601247-23	. DOUBLER-RH STA 208.00 .040 2024 T3																		01
- 86	2601247-33	. DOUBLER-LH STA 208.00 .040 2024 T3																		01
87	2601247-20	. SUPPORT ASSY-RH STA 208.00 FSO 2601247-24								0123	0228									NP
										0119	0228									
- 88	2601247-24	. SUPPORT-RH STA 208.00 .040 4130 90K								0229	& ON									01
- 89	2601247-21	. SUPPORT ASSY-LH STA 208.00 FSO 2601247-25								0123	0228									NP
										0119	0228									
- 90	2601247-25	. SUPPORT-LH STA 208.00 .040 4130 90K								0229	& ON									01
91	MS21069L3	. NUTPLATE																		04
92	AN3-4A	. BOLT																		04
93	NAS1149F0332P	. WASHER																		04
94	MS21044N3	. NUT																		04
95	2601247-9	. SUPPORT STA 208.92 FSO 2610247-89								0123	0185									02
										0119	0185									
- 96	2601247-89	. SUPPORT STA 208.92 .040 4130 90K								0186	& ON									02
97	MS21069L3	. NUTPLATE																		04
98	2601247-54	. SUPPORT STA 208.92 FSO 2601247-87								0123	0185									02
										0119	0185									
- 99	2601247-87	. SUPPORT STA 208.92 .040 2024 T42								0186	& ON									02
100	2601247-26	. SUPPORT-LH STA 234.00 .040 4130 90K																		01
- 101	2601247-41	. SUPPORT-RH STA 259.00 .040 4130 90K																		01
- 102	2601247-57	. SUPPORT-LH STA 284.00 .040 4130 90K																		01
- 103	2601247-29	. SUPPORT-RH STA 284.00 .040 4130 90K																		01
104	MS21069L3	. NUTPLATE																		01

- ITEM NOT ILLUSTRATED

CESSNA®
MODEL 208
ILLUSTRATED PARTS CATALOG

A24815



CARGO TIE DOWN STRUCTURE COMPONENTS CARGOMASTER
FIGURE 01 (SHEET 3)

26192003
A26191055
B26191021
C26191024
D2619X1022

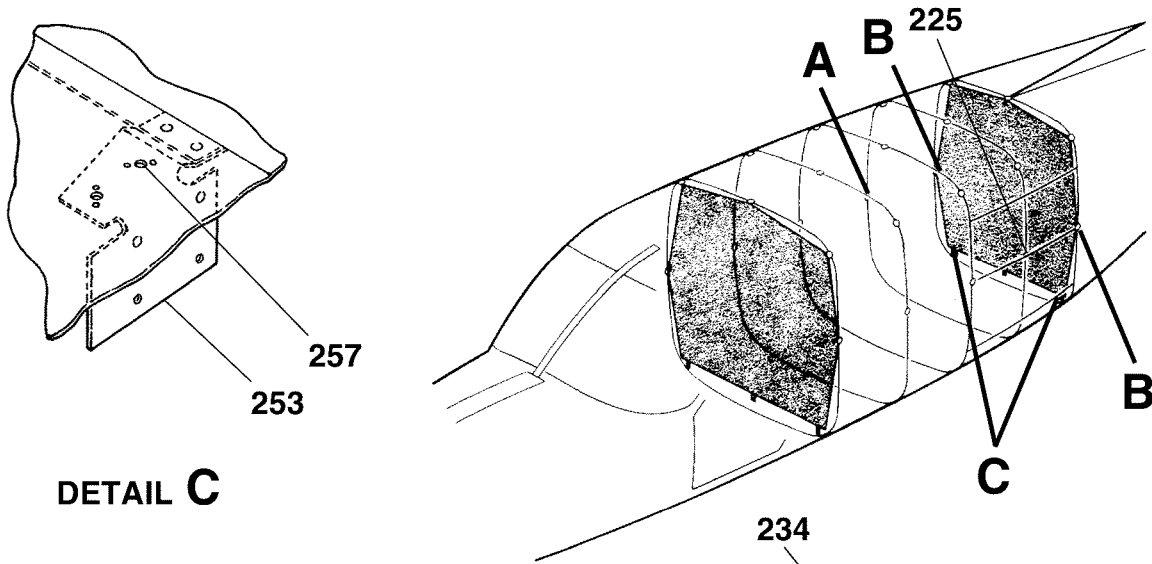
CESSNA®
MODEL 208
 ILLUSTRATED PARTS CATALOG

FIG ITEM	PART NUMBER	NOMENCLATURE	UNITS PER ASSY		
			1	2	3
01					
150	2601247-32	. DOUBLER-RH STA 234.00 .040 2024 T3			01
151	2601247-58	. SUPPORT-BHD RH STA 234.00 .040 4130 90K			01
152	MS21069L3	. NUTPLATE			02
153	2601247-2	. DOUBLER STA 234.00 .040 2024 T3			01
154	2601247-22	. SUPPORT-BHD STA 234.00 FSO 2601247-93	0123	0185	NP
- 155	2601247-93	. SUPPORT-BHD STA 234.00 .040 4130 90K FSO 2601247-99	0119	0185	
- 155A	2601247-99	. SUPPORT-BHD STA 234.00 .040 4130 90K	0186	0237	NP
156	MS21086L3	. NUTPLATE	0238	& ON	01
157	MS21047L3	. NUTPLATE			01
158	MS21051L08	. NUTPLATE			01
159	MS21086L08	. NUTPLATE			01
160	2601247-74	. DOUBLER-RH STA 234.00 FSO 2601247-100	0123	0185	NP
			0119	0185	
- 161	2601247-100	. DOUBLER-RH STA 234.001.040 2024 T3	0186	& ON	01
162	2601247-49	. SUPPORT-BHD RH STA 234.00 FSO 2601247-94	0123	0185	NP
			0119	0185	
- 163	2601247-94	. SUPPORT-RH-BHD STA 234.00 .040 4130 90K	0186	& ON	01
164	2601247-70	. SUPPORT-RH STA 234.00 FSO 2601247-90	0123	0185	NP
			0119	0185	
- 165	2601247-90	. SUPPORT-RH STA 234.00 .032 2024 T3	0186	& ON	01
166	MS21047L3	. NUTPLATE			01
167	MS21086L08	. NUTPLATE			01
168	MS21086L3	. NUTPLATE			01
169	MS21051L08	. NUTPLATE			01
170	2601247-31	. SUPPORT-BHD LH STA 259.00 .040 4130 90K			01
171	MS21069L3	. NUTPLATE			02

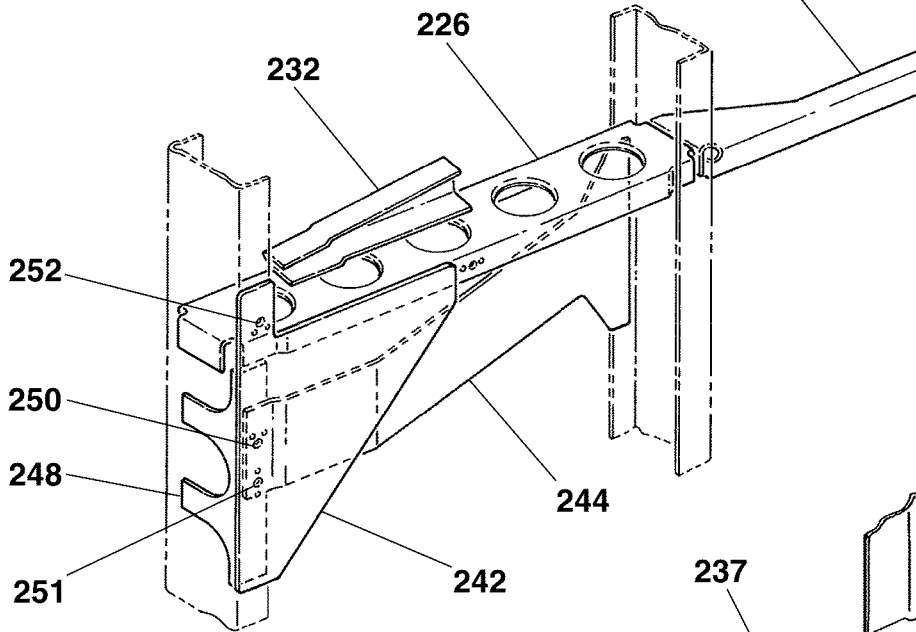
- ITEM NOT ILLUSTRATED

CESSNA®
MODEL 208
 ILLUSTRATED PARTS CATALOG

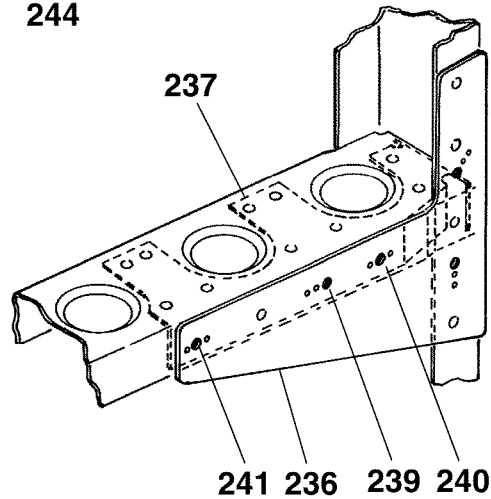
A24816



DETAIL C



DETAIL B



DETAIL A

CARGO TIE DOWN STRUCTURE COMPONENTS CARGOMASTER
 FIGURE 01 (SHEET 4)

26192003
 A26191026
 B26192021
 C26192028

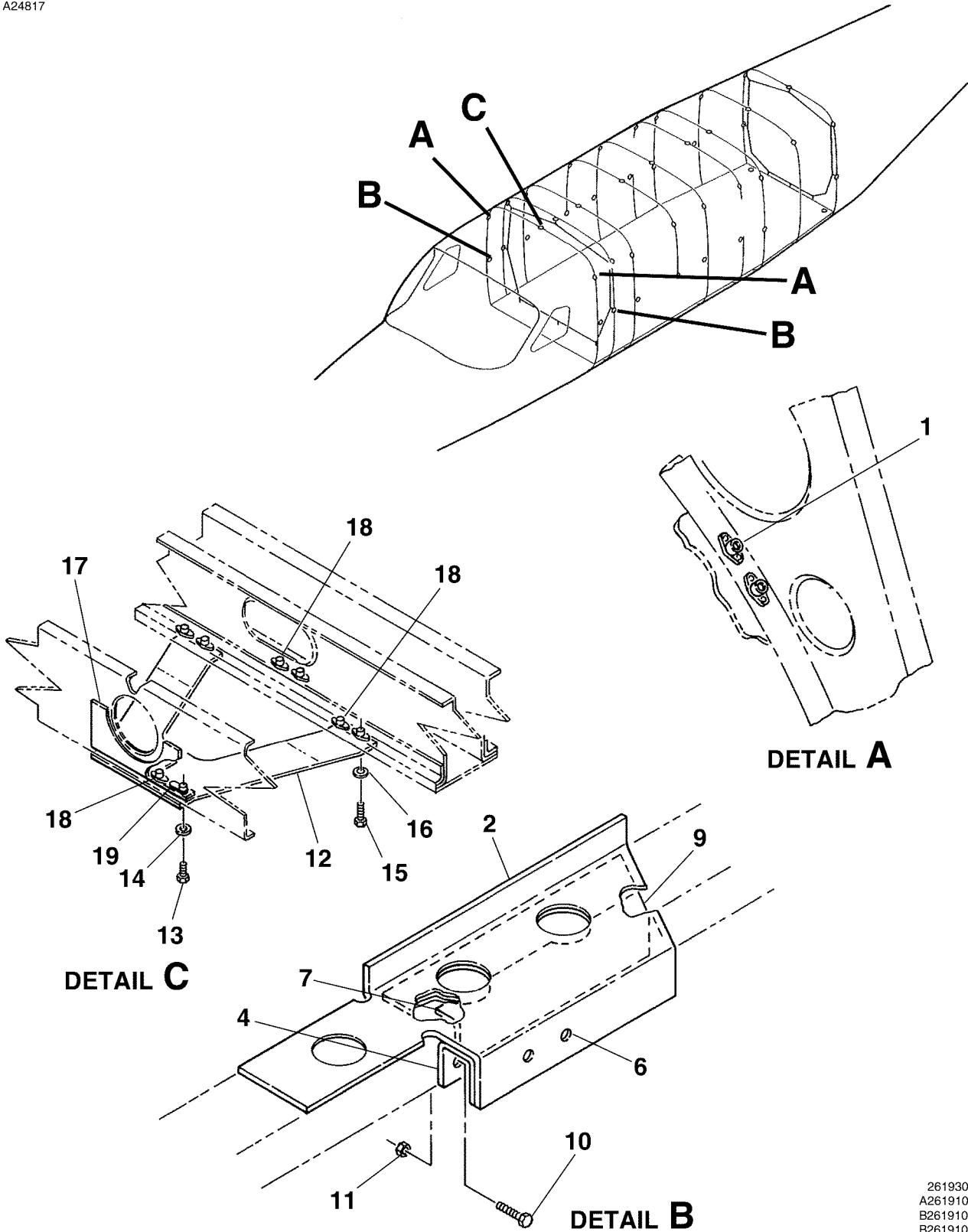
CESSNA®
MODEL 208
ILLUSTRATED PARTS CATALOG

FIG ITEM	PART NUMBER	NOMENCLATURE	UNITS		
			PER	ASSY	
01					
225		. SUPPORT ASSY STA 259.00 REFER TO 53-12-00 FIGURE 01			RF
226	2612113-2	. STIFFENER ASSY-RH STA 284.00 FSO 2612113-24	0123	0185	NP
- 227	2612113-10	. STIFFENER ASSY-RH STA 284.00 FSO 2612113-24	0119	0185	
- 228	2612113-20	. STIFFENER ASSY-RH STA 284.00 FSO 2612113-24	0186	0217	NP
- 228A	2612113-24	. STIFFENER ASSY-RH STA 284.00	0218	& ON	NP
- 229	2612113-1	. STIFFENER ASSY-LH STA 284.00 FSO 2612113-23			01
- 230	2612113-9	. STIFFENER ASSY-LH STA 284.00 FSO 2612113-23	0123	0185	NP
- 231	2612113-19	. STIFFENER ASSY-LH STA 284.00 FSO 2612113-23	0119	0185	
- 231A	2612113-23	. STIFFENER ASSY-LH STA 284.00	0186	0217	NP
232	2612113-18	. BRACE-RH .040 2024 T42	0218	& ON	01
- 233	2612113-17	. BRACE-LH .040 2024 T42	0186	& ON	01
234	2612113-14	. STIFFENER ASSY-RH STA 296.00 .040 2024 T42	0186	& ON	01
- 235	2612113-13	. STIFFENER ASSY-LH STA 296.00 .040 2024 T42	0186	& ON	01
236	2601247-34	. DOUBLER STA 259.00 .040 2024 T3			01
237	2601247-35	. SUPPORT-BHD STA 259.00 FSO 2601247-88	0123	0185	NP
- 238	2601247-88	. SUPPORT-RH-BHD STA 259.00 .040 4130 90K	0119	0185	
239	MS21071L3	. NUTPLATE	0186	& ON	01
240	MS21047L3	. NUTPLATE			01
241	MS21047L08	. NUTPLATE			01
242	2601247-47	. DOUBLER-RH STA 284.00 .040 2024 T3			01
- 243	2601247-60	. DOUBLER-LH STA 284.00 .040 2024 T3			01
244	2601247-67	. SUPPORT-BHD RH STA 284.00 FSO 2601247-92	0123	0185	NP
- 245	2601247-92	. SUPPORT-RH-BHD STA 284.00 .032 2024 T3	0119	0185	
- 246	2601247-68	. SUPPORT-BHD LH STA 284.00 FSO 2601247-91	0186	& ON	01
- 247	2601247-91	. SUPPORT-LH-BHD STA 284.00 .032 2024 T3	0123	0185	NP
248	2601247-44	. SUPPORT-BHD RH STA 284.00 .040 4130 90K	0119	0185	
- 249	2601247-59	. SUPPORT-BHD LH STA 284.00 .040 4130 90K	0186	& ON	01
250	MS21073L3	. NUTPLATE			01
251	MS21047L3	. NUTPLATE			01
252	MS21086L08	. NUTPLATE			01
253	2601247-51	. SUPPORT ASSY-LH STA 284.00 FSO 2601247-95	0123	0185	NP
- 254	2601247-95	. SUPPORT ASSY-LH STA 284.00 .040 4130 90K	0119	0185	
- 255	2601247-42	. SUPPORT ASSY-RH STA 284.00 FSO 2601247-96	0186	& ON	01
- 256	2601247-96	. SUPPORT ASSY-RH STA 284.00 .040 4130 90K	0123	0185	NP
257	MS21069L3	. NUTPLATE	0119	0185	
			0186	& ON	01
					04

- ITEM NOT ILLUSTRATED

CESSNA®
MODEL 208
ILLUSTRATED PARTS CATALOG

A24817



CARGO TIE DOWN STRUCTURE COMPONENTS
FIGURE 02 (SHEET 1)

26193008
A26191046
B26191047
B26191048

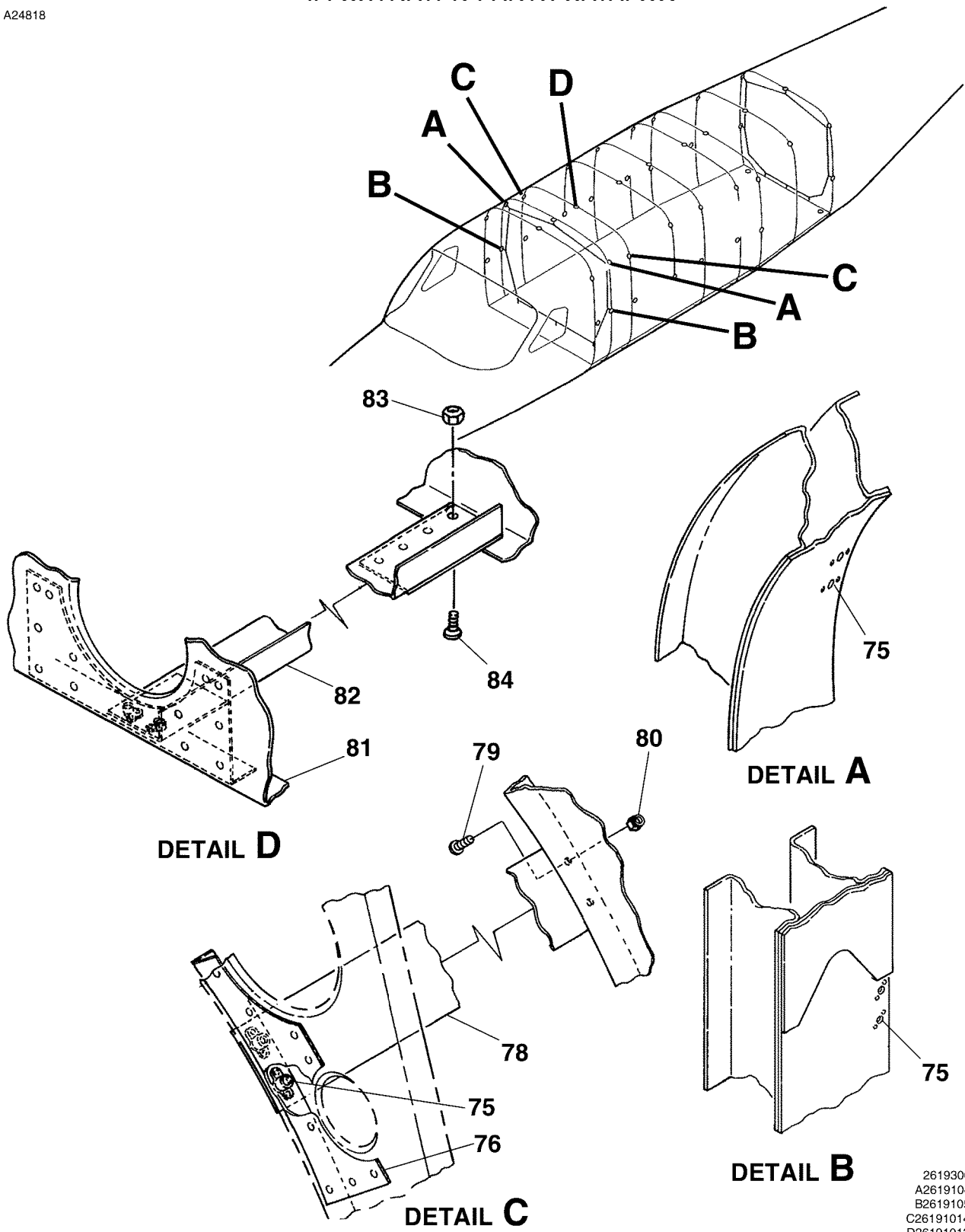
CESSNA®
MODEL 208
 ILLUSTRATED PARTS CATALOG

FIG ITEM	PART NUMBER	NOMENCLATURE	UNITS	
			PER	ASSY
		1 2 3 4 5 6 7		
02		CARGO TIE DOWN STRUCTURE COMPONENTS	B0214	& ON RF
-				
1	MS21069L3	. NUTPLATE		04
2	2601415-12	. SUPPORT-RH STA 175.95 .040 4130 NORM		01
- 3	2601415-11	. SUPPORT-LH STA 175.95 .040 4130 NORM		01
4	2601415-14	. SUPPORT ASSY-RH STA 175.95 .040 4130 NORM		01
- 5	2601415-13	. SUPPORT ASSY-LH STA 175.95 .040 4130 NORM		01
6	MS21069L3	. . NUTPLATE		02
7	2601415-6	. SUPPORT-RH STA 175.95 .040 4130 NORM		01
- 8	2601415-7	. SUPPORT-LH STA 175.95 .040 4130 NORM		01
9	2601415-8	. SHIM STA 175.95 .040 4130 NORM		02
10	AN3-4A	. BOLT		04
11	MS21044N3	. NUT		04
12	2601415-1	. STRAP STA 175.95, 186.45 .080 2024 T3		01
		ATTACHING PARTS		
13	AN3-4A	. BOLT		04
14	NAS1149F0332P	. WASHER		04
15	AN3-6A	. BOLT		04
16	NAS1149F0363P	. WASHER		04
		-		
17	2601247-1	. SUPPORT STA 175.95 .040 4130 NORM		01
18	MS21069L3	. NUTPLATE		10
19	MS21071L3	. NUTPLATE		02

- ITEM NOT ILLUSTRATED

CESSNA®
MODEL 208
ILLUSTRATED PARTS CATALOG

A24818



CARGO TIE DOWN STRUCTURE COMPONENTS
FIGURE 02 (SHEET 2)

26193008
A26191049
B26191050
C26191014A
D26191013A

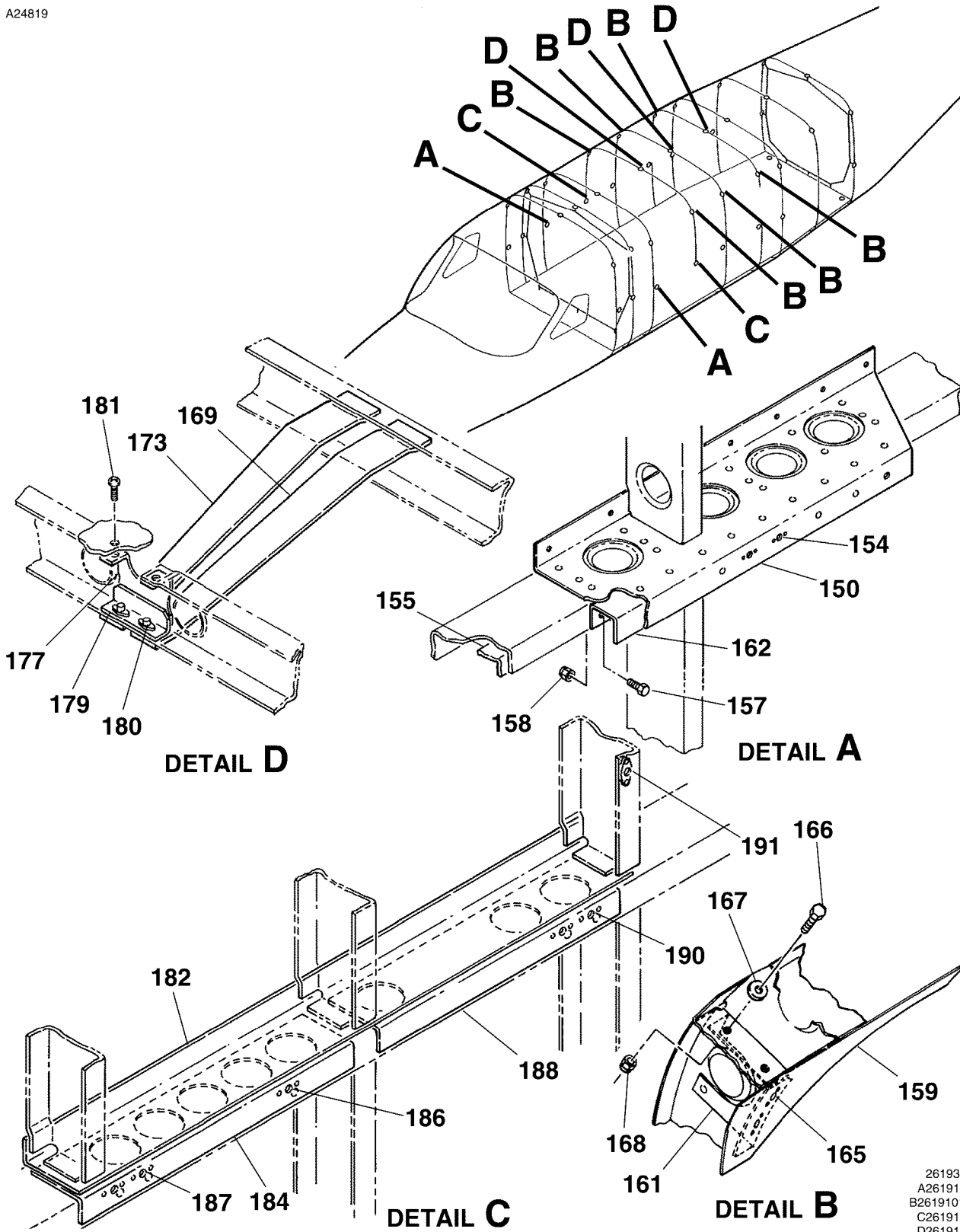
CESSNA®
MODEL 208
 ILLUSTRATED PARTS CATALOG

FIG ITEM	PART NUMBER	NOMENCLATURE	UNITS
			PER ASSY
02			
75	MS21069L3	. NUTPLATE	12
76	2601247-5	. SUPPORT-LH STA 201.50 .040 4130 90K	01
- 77	2601247-6	. SUPPORT-RH STA 201.50 .040 4130 90K	01
78	2601247-69	. BRACE STA 201.50 .040 4130 90K	02
79	AN525-10R11	. SCREW	04
80	MS21044N3	. NUT	04
81	2601247-1	. SUPPORT STA 201.50 .040 4130 90K	01
82	2601247-75	. SUPPORT STA 215.83 .040 4130 90K	01
83	MS21044N3	. NUT	02
84	AN525-10R11	. SCREW	02
- 85	MS21073L3	. NUTPLATE	02

- ITEM NOT ILLUSTRATED

CESSNA®
MODEL 208
 ILLUSTRATED PARTS CATALOG

A24819



CARGO TIE DOWN STRUCTURE COMPONENTS
 FIGURE 02 (SHEET 3)

26193008
 A26191051
 B26191018A
 C26191052
 D26191053

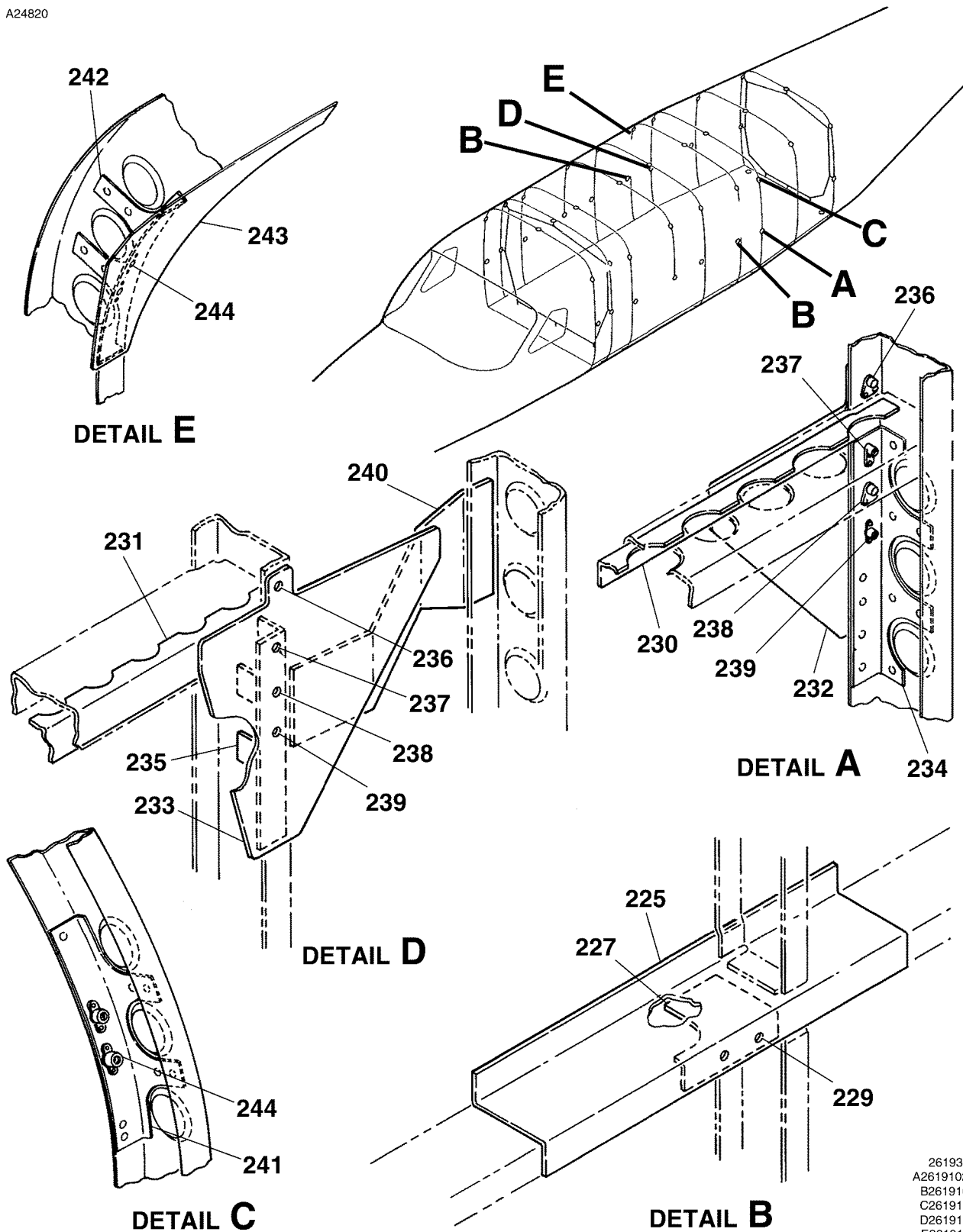
CESSNA®
MODEL 208
ILLUSTRATED PARTS CATALOG

FIG ITEM	PART NUMBER	NOMENCLATURE	UNITS PER ASSY		
			1	2	3
02					
150	2601247-80	. SUPPORT-RH STA 201.50 FSO 2601247-116	B0214	B5299	NP R
- 150A	2601247-116	. SUPPORT-RH STA 201.50	B5300	& ON	01 R
- 151	2601247-79	. SUPPORT-LH STA 201.50 FSO 2601247-117	B0214	B5299	NP R
- 151A	2601247-117	. SUPPORT-LH STA 201.50	B5300	& ON	01 R
- 152	2601247-82	. CHANNEL-RH STA 201.50 .040 4130 90K			01
- 153	2601247-81	. CHANNEL-LH STA 201.50 .040 4130 90K			01
154	MS21047L3	. NUTPLATE			04
155	2601247-84	. SUPPORT-RH STA 201.50 .040 4130 90K			01
- 156	2601247-83	. SUPPORT-LH STA 201.50 .040 4130 90K			01
157	AN3-4A	. BOLT			10
158	MS21044N3	. NUT			10
159	2601247-23	. DOUBLER-RH STA 228.00, 246.813 & 269.00 .040 2024 T3			02
- 160	2601247-33	. DOUBLER-LH STA 228.00, 246.813 & 269.00 .040 2024 T3			02
161	2601415-18	. SUPPORT-RH STA 228.00,246.813 .040 4130 NORM			02
162	2601415-17	. SUPPORT-LH STA 228.00,246.813 .040 4130 NORM			02
- 163	2601415-46	. SUPPORT-RH STA 269.00 .040 4130 NORM			01
- 164	2601415-47	. SUPPORT-LH STA 269.00 .040 4130 NORM			01
165	MS21069L3	. NUTPLATE			12
166	AN3-4A	. BOLT			12
167	NAS1149F0332P	. WASHER			12
168	MS21044N3	. NUT			12
169	2601415-23	. BRACE-LH STA 228.00 .040 4130 NORM			01
- 170	2601415-31	. BRACE-LH STA 246.81 .040 4130 NORM			01
- 171	2601247-3	. BRACE-LH STA 269.00 FSO 2601247-109	B0214	B0337	01
- 172	2601247-109	. BRACE-LH STA 269.00 .040 4130 90K	B0338	& ON	01
173	2601415-22	. BRACE-RH STA 228.00 .040 4130 NORM			01
- 174	2601415-30	. BRACE-RH STA 246.81 .040 4130 NORM			01
- 175	2601247-4	. BRACE-RH STA 269.00 FSO 261247-110	B0214	B0337	01
- 176	2601247-110	. BRACE-RH STA 269.00 .040 4130 90K	B0338	& ON	01
177	2601415-19	. SUPPORT ASSY-BHD STA 228.00, 246.81 & 269.00 .040 4130 NORM			01
- 178	MS21047L3	. NUTPLATE			02
179	2601415-21	. SUPPORT CLIP-BHD STA 228.00, 246.81 & 269.00 .040 4130 NORM			01
180	MS21069L3	. NUTPLATE			06
181	AN525-10R8	. SCREW			06
182	2601415-24	. SUPPORT-RH STA 228.00 .040 4130 NORM			01
- 183	2601415-25	. SUPPORT-LH STA 228.00 .040 4130 NORM			01
184	2601415-26	. SUPPORT ASSY-RH STA 228.00 NOT APPLICABLE TO PASSENGER VERSION .040 4130 NORM			01
- 185	2601415-27	. SUPPORT ASSY-LH STA 228.00 NOT APPLICABLE TO PASSENGER VERSION .040 4130 NORM			01
186	MS21047L08	. NUTPLATE			01
187	MS21069L3	. NUTPLATE			02
188	2601415-40	. SUPPORT ASSY-RH STA 246.81 .040 4130 NORM			01
- 189	2601415-41	. SUPPORT ASSY-LH STA 246.81 .040 4130 NORM			01
190	MS21069L3	. NUTPLATE			02
191	MS21047L08	. NUTPLATE			02

- ITEM NOT ILLUSTRATED

CESSNA®
MODEL 208
ILLUSTRATED PARTS CATALOG

A24820



CARGO TIE DOWN STRUCTURE COMPONENTS
FIGURE 02 (SHEET 4)

26193008
A26191022A
B26191054
C26191020
D26191055
E26191021

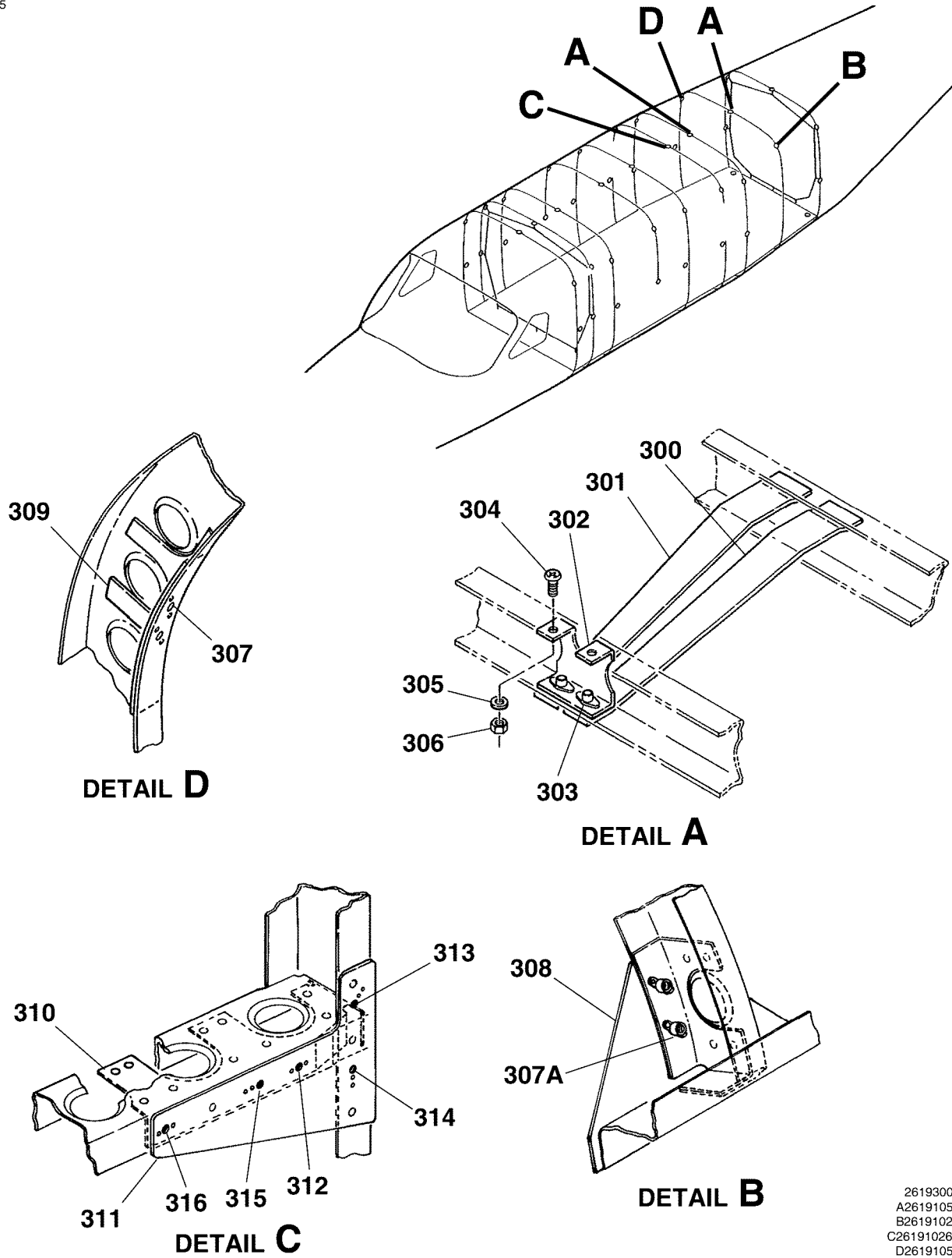
CESSNA®
MODEL 208
 ILLUSTRATED PARTS CATALOG

FIG ITEM	PART NUMBER	NOMENCLATURE							UNITS PER ASSY	
		1	2	3	4	5	6	7		
02										
225	2601415-34	.	SUPPORT-RH	STA	269.00	.040	4130	NORM		01
- 226	2601415-35	.	SUPPORT-LH	STA	269.00	.040	4130	NORM		01
227	2601415-36	.	SUPPORT ASSY-RH	STA	269.00	.040	4130	NORM		01
- 228	2601415-37	.	SUPPORT ASSY-LH	STA	269.00	.040	4130	NORM		01
229	MS21069L3	.	NUTPLATE							02
230	2601415-49	.	SUPPORT-LH	STA	269.00	.040	2024	T3		01
231	2601415-50	.	SUPPORT-RH	STA	269.00	.040	2024	T3		01
232	2601247-2	.	DOUBLER-LH	STA	282.00	.040	2024	T3		01
233	2601247-100	.	DOUBLER-RH	STA	282.00	.040	2024	T3		01
234	2601247-93	.	SUPPORT-LH	STA	282.00	.040	4130	90K FSO 2601247-99	B0214 B0393	NP
- 234A	2601247-99	.	SUPPORT-LH	STA	282.00	.040	4130	90K	B0394 & ON	01
235	2601247-94	.	SUPPORT-RH	STA	282.00	.040	4130	90K		01
236	MS21086L08	.	NUTPLATE							02
237	MS21051L08	.	NUTPLATE							02
238	MS21086L3	.	NUTPLATE							02
239	MS21047L3	.	NUTPLATE							02
240	2601247-90	.	SUPPORT-RH	.032	2024	T3				01
241	2601247-26	.	SUPPORT-LH	.040	4130	90K				01
242	2601247-58	.	SUPPORT-RH	.040	4130	90K				01
243	2601247-32	.	DOUBLER-RH	.040	2024	T3				01
244	MS21069L3	.	NUTPLATE							04

- ITEM NOT ILLUSTRATED

CESSNA®
MODEL 208
 ILLUSTRATED PARTS CATALOG

A24685



26193008
 A26191056
 B26191024
 C26191026A
 D26191057

CARGO TIE DOWN STRUCTURE COMPONENTS
 FIGURE 02 (SHEET 5)

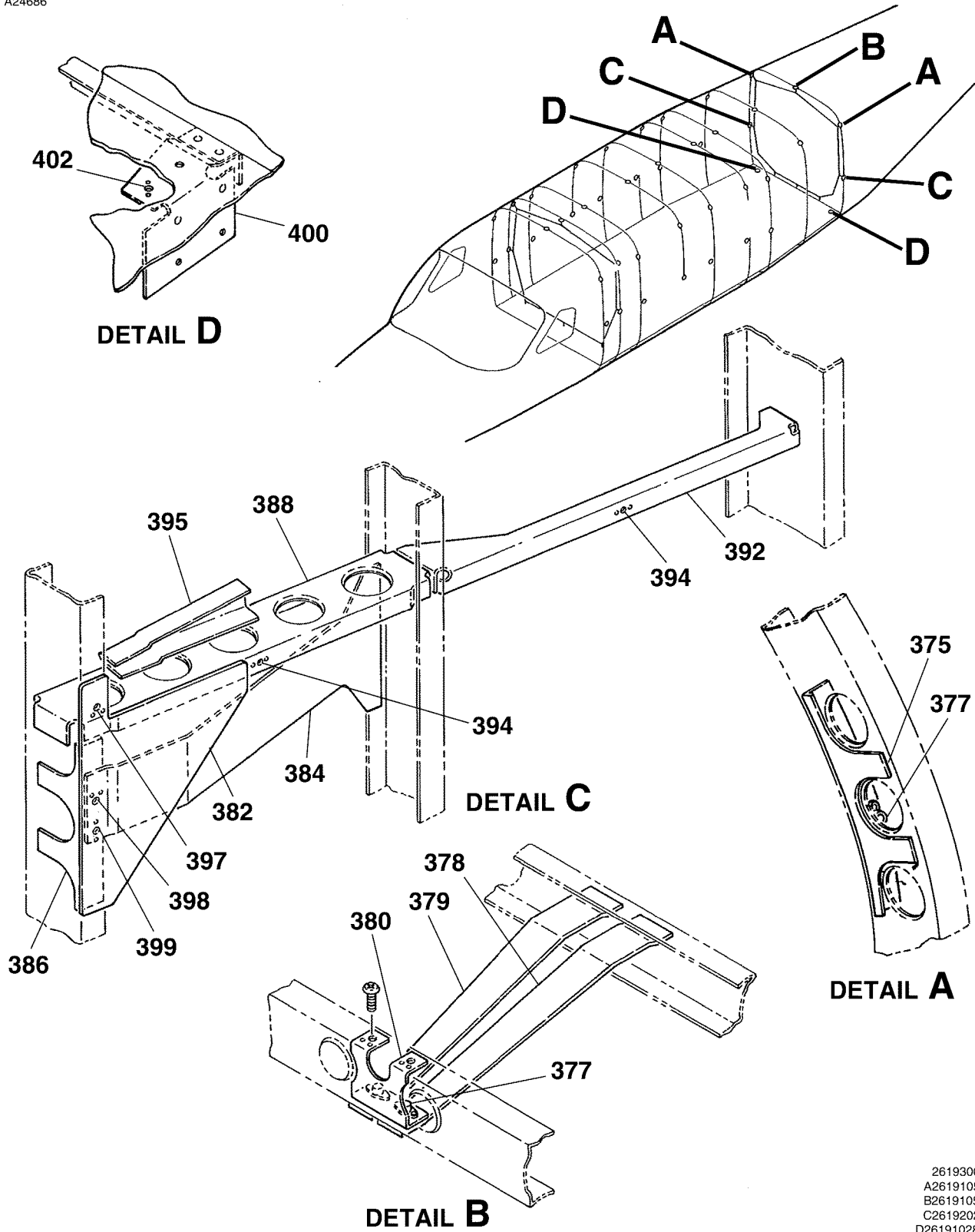
CESSNA®
MODEL 208
 ILLUSTRATED PARTS CATALOG

FIG ITEM	PART NUMBER	NOMENCLATURE	UNITS PER ASSY	
			1 2 3 4 5 6 7	
02				
300	2601247-7	. SUPPORT-LH STA 282.00 & 307.00 .040 4130 90K		02
301	2601247-8	. SUPPORT-RH STA 282.00 & 307.00 .040 4130 90K		02
302	2601247-16	. CHANNEL STA 282.00	B0214	B5299 01 R
- 302A	2601247-14	. SUPPORT ASSY STA 307.00	B0214	B5299 01 R
- 302B	2601247-17	. SUPPORT ASSY STA 282.00 & 307.00	B5300	& ON 02 R
303	MS21086L3	. . NUTPLATE		02
304	AN525-10R8	. SCREW STA.282.00 & 307.00		04
305	NAS1149F0332P	. WASHER STA.282.00		02
306	MS21044N3	. NUT STA.282.00		02
307	MS21069L3	. NUTPLATE-RH STA 307.00		02 R
307A	MS21069L3	. NUTPLATE-LH STA 307.00	B0214	B5299 02 R
- 307B	MS21073L3	. NUTPLATE-LH STA 307.00	B5300	& ON 02 R
308	2601247-31	. SUPPORT-LH STA 307.00 .040 4130 90K		01
309	2601247-41	. SUPPORT-RH STA 307.00 .040 4130 90K		01
310	2601247-88	. SUPPORT-RH STA 307.00 .040 4130 90K		01
311	2601247-34	. DOUBLER-RH STA 307.00 .040 2024 T3		01
312	MS21047L3	. NUTPLATE		01
313	MS21086L08	. NUTPLATE		01
314	MS21051L08	. NUTPLATE		01
315	MS21071L3	. NUTPLATE		01
316	MS21047L08	. NUTPLATE		01

- ITEM NOT ILLUSTRATED

CESSNA®
MODEL 208
 ILLUSTRATED PARTS CATALOG

A24686



CARGO TIE DOWN STRUCTURE COMPONENTS
 FIGURE 02 (SHEET 6)

26193008
 A26191058
 B26191059
 C26192021
 D26191028A

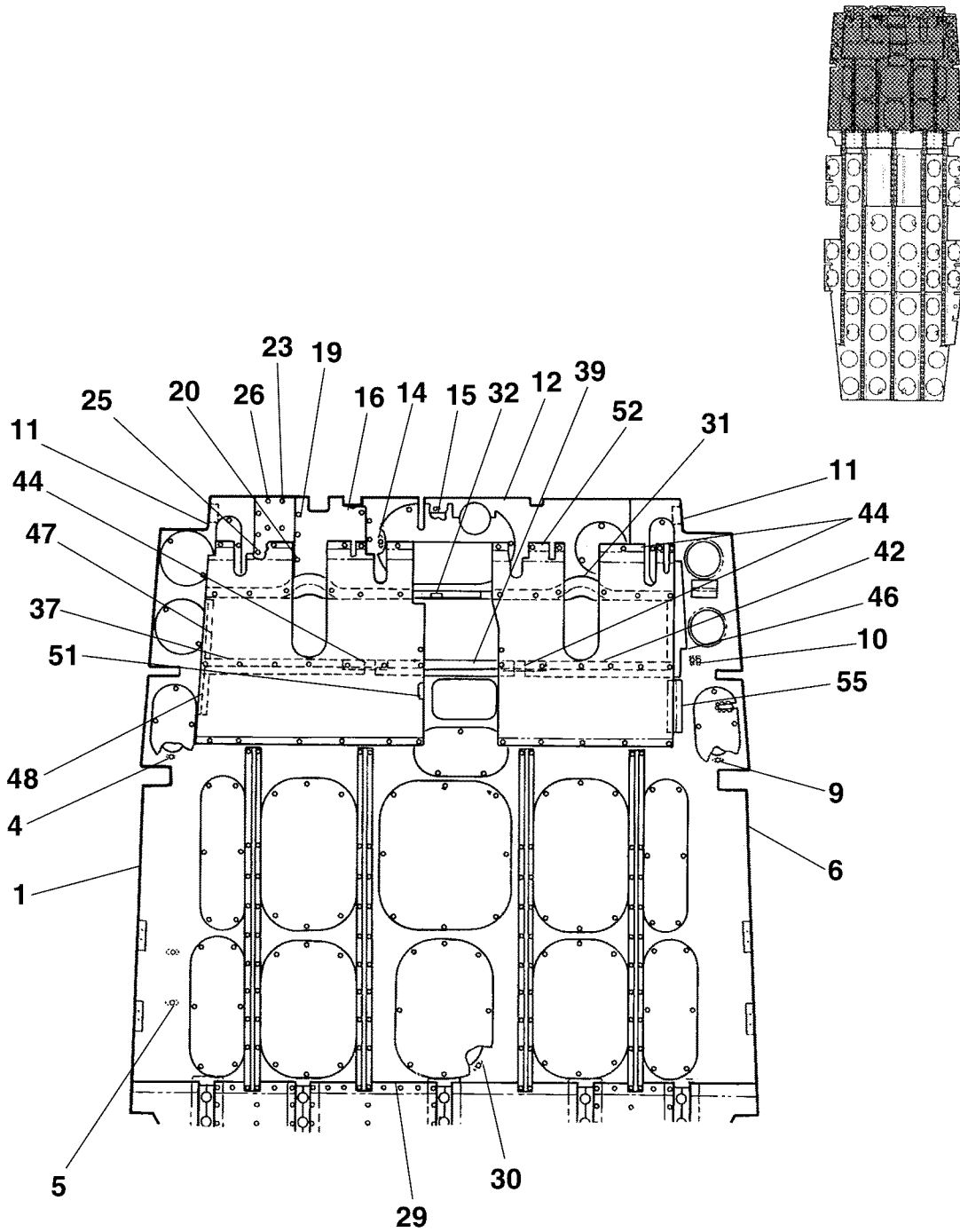
CESSNA®
MODEL 208
 ILLUSTRATED PARTS CATALOG

FIG ITEM	PART NUMBER	NOMENCLATURE	1 2 3 4 5 6 7							UNITS PER ASSY
02										
375	2601247-57	. SUPPORT-LH STA332.00 .040 4130 90K								01
- 376	2601247-29	. SUPPORT-RH STA332.00 .040 4130 90K								01
377	MS21069L3	. NUTPLATE								06
378	2601247-27	. BRACE-LH STA 332.00 .040 4130 90K								01
379	2601247-28	. BRACE-RH STA 332.00 .040 4130 90K								01
380	2601247-17	. SUPPORT ASSY-STA 332.00 .040 4130 90K								01
- 381	MS21086L3	. . NUTPLATE								02
382	2601247-47	. DOUBLER-RH STA 332.00 .040 2024 T3								01
- 383	2601247-60	. DOUBLER-LH STA 332.00 .040 2024 T3								01
384	2601247-92	. SUPPORT-BHD RH STA 332.00 .032 2024 T3								01
- 385	2601247-91	. SUPPORT-BHD LH STA 332.00 .032 2024 T3								01
386	2601247-44	. SUPPORT-BHD RH STA 332.00 .040 4130 90K								01
- 387	2601247-59	. SUPPORT-BHD LH STA 332.00 .040 4130 90K								01
388	2612113-10	. STIFFENER ASSY-RH STA332.00 FSO 2612113-24						B0214	B0305	NP
- 389	2612113-20	. STIFFENER ASSY-RH STA332.00 FSO 2612113-24						B0306	& ON	01
- 389A	2612113-24	. STIFFENER ASSY-RH STA332.00								01
- 390	2612113-9	. STIFFENER ASSY-LH STA332.00 FSO 2612113-23						B0214	B0305	NP
- 391	2612113-19	. STIFFENER ASSY-LH STA332.00 FSO 2612113-23						B0306	& ON	01
- 391A	2612113-23	. STIFFENER ASSY-LH STA332.00								01
392	2612113-14	. STIFFENER ASSY-RH STA344.00 .032 2024 T42								01
- 393	2612113-13	. STIFFENER ASSY-LH STA344.00 .032 2024 T42								01
394	MS21047L08	. . NUTPLATE								01
395	2612113-18	. BRACE-RH .040 2024 T42								01
- 396	2612113-17	. BRACE-LH .040 2024 T42								01
397	MS21086L08	. NUTPLATE								02
398	MS21073L3	. NUTPLATE								02
399	MS21047L3	. NUTPLATE								02
400	2601247-95	. SUPPORT ASSY-LH STA 284.00 .040 4130 90K								01
- 401	2601247-96	. SUPPORT ASSY-RH STA 284.00 .040 4130 90K								01
402	MS21069L3	. NUTPLATE								04

- ITEM NOT ILLUSTRATED

CESSNA®
MODEL 208
ILLUSTRATED PARTS CATALOG

A24687



2611M4010
26114005

CABIN FLOORBOARDS
FIGURE 01 (SHEET 1)

CESSNA®
MODEL 208
ILLUSTRATED PARTS CATALOG

FIG ITEM	PART NUMBER	NOMENCLATURE	UNITS PER ASSY		
			1	2	3
01		CABIN FLOORBOARDS	0001	& ON	RF
-			0001	0013	01
1	2613110-1	. FLOORBOARD ASSY-LH FWD .032 2024 T42	0014	0127	01
- 2	2613110-19	. FLOORBOARD ASSY-LH FWD .032 2024 T42	0128	& ON	01
- 3	2613110-25	. FLOORBOARD ASSY-LH FWD .032 2024 T3			38
4	MS21047L3K	. . NUTPLATE			01
- 4A	MS21051L3K	. . NUTPLATE			02
5	MS21047L4	. . NUTPLATE			01
6	2613110-2	. FLOORBOARD ASSY-RH FWD .032 2024 T42	0001	0013	01
- 7	2613110-20	. FLOORBOARD ASSY-RH FWD .032 2024 T42	0014	0127	01
- 8	2613110-26	. FLOORBOARD ASSY-RH FWD .032 2024 T3	0128	& ON	01
9	MS21047L3	. . NUTPLATE			34
10	MS21047L08	. . NUTPLATE			02
11	2613106-1	. SPACER PLATE .040 2024 T42			02
12	2613110-4	. FLOORBOARD ASSY-FWD CTR .025 2024 T42	0001	0013	01
- 13	2613110-29	. FLOORBOARD ASSY-FWD CTR .025 2024 T42	0014	& ON	01
14	MS21047L3	. . NUTPLATE			06
15	NAS682A3	. . NUTPLATE			02
16	2613110-13	. FLOORBOARD ASSY-REMOVEABLE .032 2024 T42	0001	0013	01
- 17	2613110-17	. FLOORBOARD ASSY-REMOVEABLE .032 2024 T42	0014	& ON	01
		ATTACHING PARTS			
- 18	AN525-10R7	. SCREW INBD-FLOORBOARD ASSY			04
19	AN509-10R7	. SCREW OUTBD-FLOORBOARD ASSY			03
- 19A	MS24694-S49	. SCREW OUTBD-FLOORBOARD ASSY ALT FOR AN509-10R7			03
20	S1021Z8-8	. SCREW-FLOORBOARD ASSY			02
		—*—			
- 21	MS21047L3	. . NUTPLATE			01
- 22	2613259-5	. . CLIP .025 2024 T42			02
23	2613110-11	. FLOORBOARD ASSY FUEL SHUTOFF VALVE .032 2024 T42	0001	0013	01
- 24	2613110-15	. FLOORBOARD ASSY FUEL SHUTOFF VALVE .032 2024 T42	0014	& ON	01
25	MS24694-S49	. SCREW-FLOORBOARD ASSY ATTACH ALT FOR AN509-10-7			01 R
26	AN525-10R7	. SCREW-FLOORBOARD ASSY ATTACH			06
- 27	MS21047L3	. . NUTPLATE			01
- 28	S4213-17	. . CLIP NUT			02
29	2613110-3	. FLOORBOARD ASSY-CTR .032 2024 T42			01
30	MS21047L3	. . NUTPLATE			20
31	2613180-1	. SUPPORT ASSY .040 2024 T42			01
32	2613232-1	. SUPPORT ASSY .040 2024 T42			01
- 33	S1741-1	. . ANCHOR			02
- 34	MS21047L3	. . NUTPLATE			11
- 35	MS21069L3	. . NUTPLATE			01
- 36	AN743P13	. . BRACKET			01
37	2613305-1	. CAP STRIP ASSY-LH .063 2024 T42			01
- 38	MS21047L3	. . NUTPLATE			05
39	2613305-5	. CAP STRIP ASSY-CTR .063 2024 T42			01
- 40	MS21047L3	. . NUTPLATE			05
- 41	MS21069L3	. . NUTPLATE			01
42	2613305-2	. CAP STRIP ASSY-RH .063 2024 T42			01
- 43	MS21047L3	. . NUTPLATE			05
44	2613304-1	. CAP STRIP .063 2024 T42			02
- 45	MS35207-262	. SCREW-CAP STRIP ATTACH			02
46		. AVIONICS RACK REFER TO 25-70-00 FIGURE 01			RF
47	2613176-1	. RIB-CLOSURE .032 2024 T42			01
48	2613195-19	. SCUFF PLATE ASSY-PILOT FSO 2613195-22	0001	0237	NP
- 48A	2613195-22	. SCUFF PLATE ASSY-PILOT FSO 2613464-1	0238	0275	NP
- 48B	2613464-1	. FOOT REST ASSY-PILOT	0276	0546	01
- 48C	2691034-3	. FOOT REST ASSY-PILOT REFER TO NOTE 1			01 R
- 48D	2613454-1	. FOOT REST ASSY-PILOT	0547	0561	01 R
- 48E	2613454-3	. FOOT REST ASSY-PILOT	0562	& ON	01 R
- 49	AN525-10R7	. SCREW-PILOT FOOT REST ASSY ATTACH			25
- 50	MS21047L3	. . NUTPLATE			05
51	2613399-1	. . COVER ASSY-ELEVATOR TRIM CHAIN .040 2024 T42	0001	0237	01
- 51A	2613460-1	. . CHAIN GUARD .040 PVC ALT FOR 2613399-1	0238	& ON	01
52	2613195-2	. SCUFF PLATE ASSY-CO-PILOT .040 2024 T42 FSO 2613464-2	0238	0275	NP
- 52A	2613464-2	. FOOT REST ASSY-CO-PILOT	0276	0546	01 R
- 52B	2613464-3	. FOOT REST ASSY-CO-PILOT	0547	& ON	01 R
		ATTACHING PARTS			
- 53	AN525-10R7	. SCREW-CO-PILOT FOOT REST ASSY			24
		—*—			
- 54	MS21047L3	. . NUTPLATE			05
55	2613195-7	. RIB .032 2024 T3			01

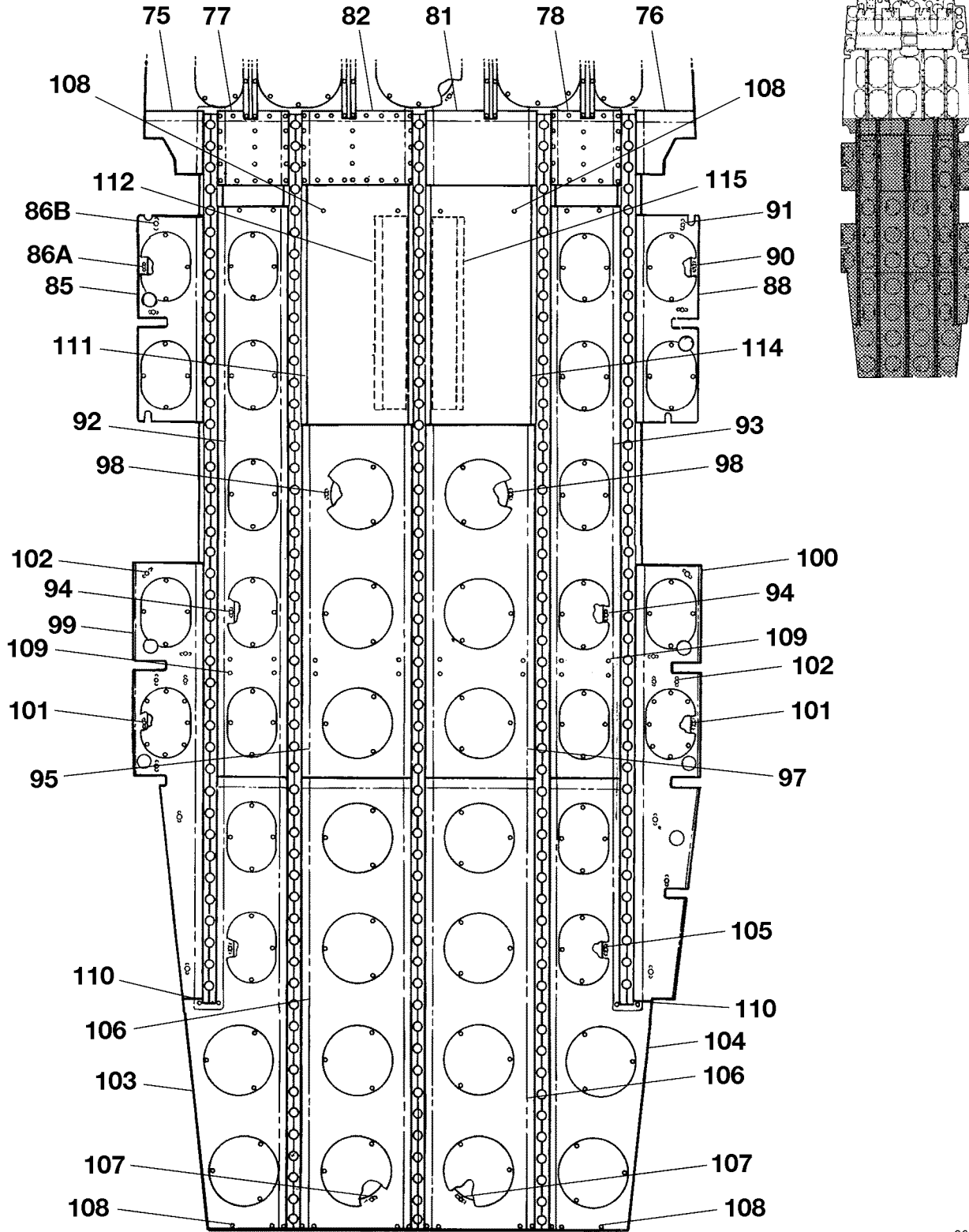
NOTE 1—AIRPLANES -0001 THRU -0546 INCORPORATING CAB-32-01.

R

- ITEM NOT ILLUSTRATED

CESSNA®
MODEL 208
ILLUSTRATED PARTS CATALOG

A24688



CABIN FLOORBOARDS
FIGURE 01 (SHEET 2)

2611R4010
2611R4005

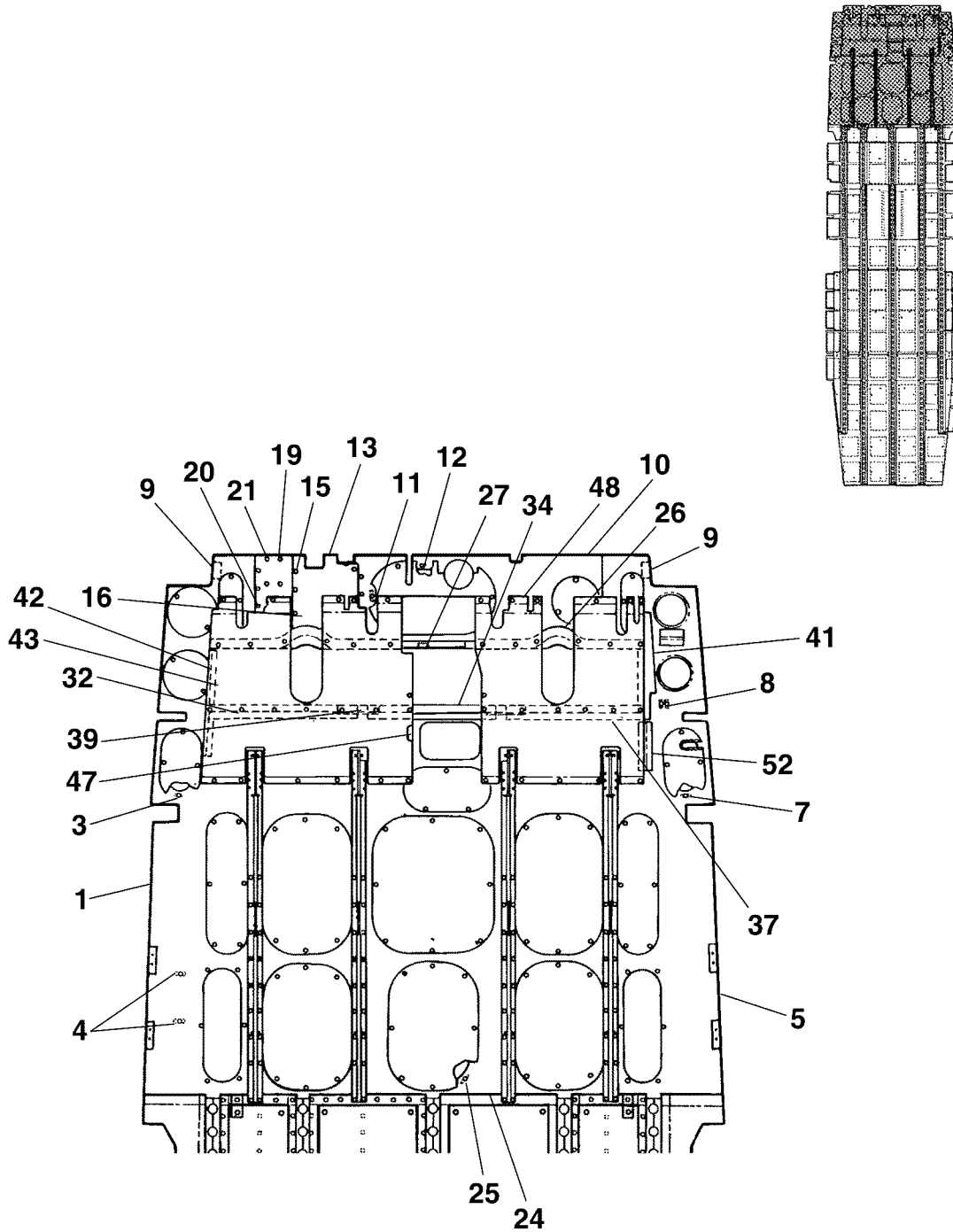
CESSNA®
MODEL 208
ILLUSTRATED PARTS CATALOG

FIG ITEM	PART NUMBER	NOMENCLATURE	UNITS		
			PER ASSY		
01					
75	2611119-3	. FLOORBOARD-OUTBD LH .032 2024 T42			01
76	2611119-2	. FLOORBOARD-OUTBD RH .032 2024 T42			01
77	2611065-3	. FLOORBOARD-LH .032 2024 T42			01
78	2611065-4	. FLOORBOARD-RH .032 2024 T42			01
		ATTACHING PARTS			
- 79	AN525-10R8	. SCREW-CORNER ATTACH			04
- 80	AN525-10R7	. SCREW			14
		—*			
81	2611065-8	. FLOORBOARD-RH INBD .032 2024 T42			01
82	2611065-7	. FLOORBOARD-LH INBD .032 2024 T42			01
		ATTACHING PARTS			
- 83	AN525-10R8	. SCREW-CORNER ATTACH			04
- 84	AN525-10R7	. SCREW			21
		—*			
85	2611127-1	. FLOORBOARD ASSY-LH OUTBD FSO 2611127-23	0001	0139	NP
- 86	2611127-11	. FLOORBOARD ASSY-LH OUTBD FSO 2611127-23	0140	0224	NP
86A	MS21047L3 NUTPLATE	0001	0224	08
86B	MS21047L08 NUTPLATE SIDEWALL ATTACH	0001	0224	02
- 87	2611127-23	. FLOORBOARD ASSY-LH OUTBD .032 2024 T3	0225	0517	01
- 87A	2611127-35	. FLOORBOARD ASSY-LH OUTBD	0518	& ON	01
- 87B	MS21047L3K NUTPLATE	0225	& ON	08
- 87C	MS21047L08K NUTPLATE SIDEWALL ATTACH	0225	& ON	02
88	2611127-2	. FLOORBOARD ASSY-RH OUTBD FSO 2611127-12	0001	0139	NP
- 89	2611127-12	. FLOORBOARD ASSY-RH OUTBD .032 2024 T3	0140	& ON	01
90	MS21047L3 NUTPLATE	0001	0139	08
- 90A	MS21047L3K NUTPLATE	0140	& ON	08
91	MS21047L08 NUTPLATE SIDEWALL ATTACH	0001	0139	02
- 91A	MS21047L08K NUTPLATE SIDEWALL ATTACH	0140	& ON	02
92	2611066-1	. FLOORBOARD ASSY-LH .032 2024 T42			01
93	2611066-8	. FLOORBOARD ASSY-RH .032 2024 T42			01
94	MS21047L3 NUTPLATE			24
95	2611066-3	. FLOORBOARD ASSY LH-INBD FSO 2611066-20	0001	0207	NP
- 96	2611066-20	. FLOORBOARD ASSY LH-INBD .032 2024 T3	0208	& ON	01
97	2611066-6	. FLOORBOARD ASSY RH-INBD .032 2024 T42			01
98	MS21047L3 NUTPLATE			13
99	2611155-1	. FLOORBOARD ASSY-LH OUTBD .063 2024 T42			01
100	2611155-2	. FLOORBOARD ASSY-RH OUTBD .063 2024 T42			01
101	MS21047L3 NUTPLATE			16
102	MS21047L08 NUTPLATE SIDEWALL ATTACH			03
103	2611052-1	. FLOORBOARD ASSY-LH OUTBD AFT .032 2024 T42			01
104	2611052-2	. FLOORBOARD ASSY-RH OUTBD AFT .032 2024 T42			01
105	MS21047L3 NUTPLATE			14
106	2611052-5	. FLOORBOARD ASSY-CTR AFT LH & RH .032 2024 T42	0001	0207	02
- 106A	2611052-5	. FLOORBOARD ASSY-CTR AFT RH	0208	& ON	01
- 106B	2611052-7	. FLOORBOARD ASSY-CTR AFT LH	0208	& ON	01
107	MS21047L3 NUTPLATE			12
108	AN525-10R7	. SCREW			22
109	AN525-10R6	. SCREW			16
110	AN525-10R8	. SCREW			04
111	2611115-9	. FLOORBOARD PANEL ASSY .050 2024 T3			01
112	2611115-13	. STIFFENER .032 2024 T42			01
- 113	2611115-14	. RUB STRIP .062 CORK			01
114	2611115-8	. FLOORBOARD PANEL ASSY .050 2024 T3			01
115	2611115-12	. STIFFENER .032 2024 T42			01
- 116	2611115-7	. RUB STRIP .062 CORK			01

- ITEM NOT ILLUSTRATED

CESSNA®
MODEL 208
ILLUSTRATED PARTS CATALOG

A24689



CABIN FLOORBOARDS
FIGURE 02 (SHEET 1)

2611M4006
26114003

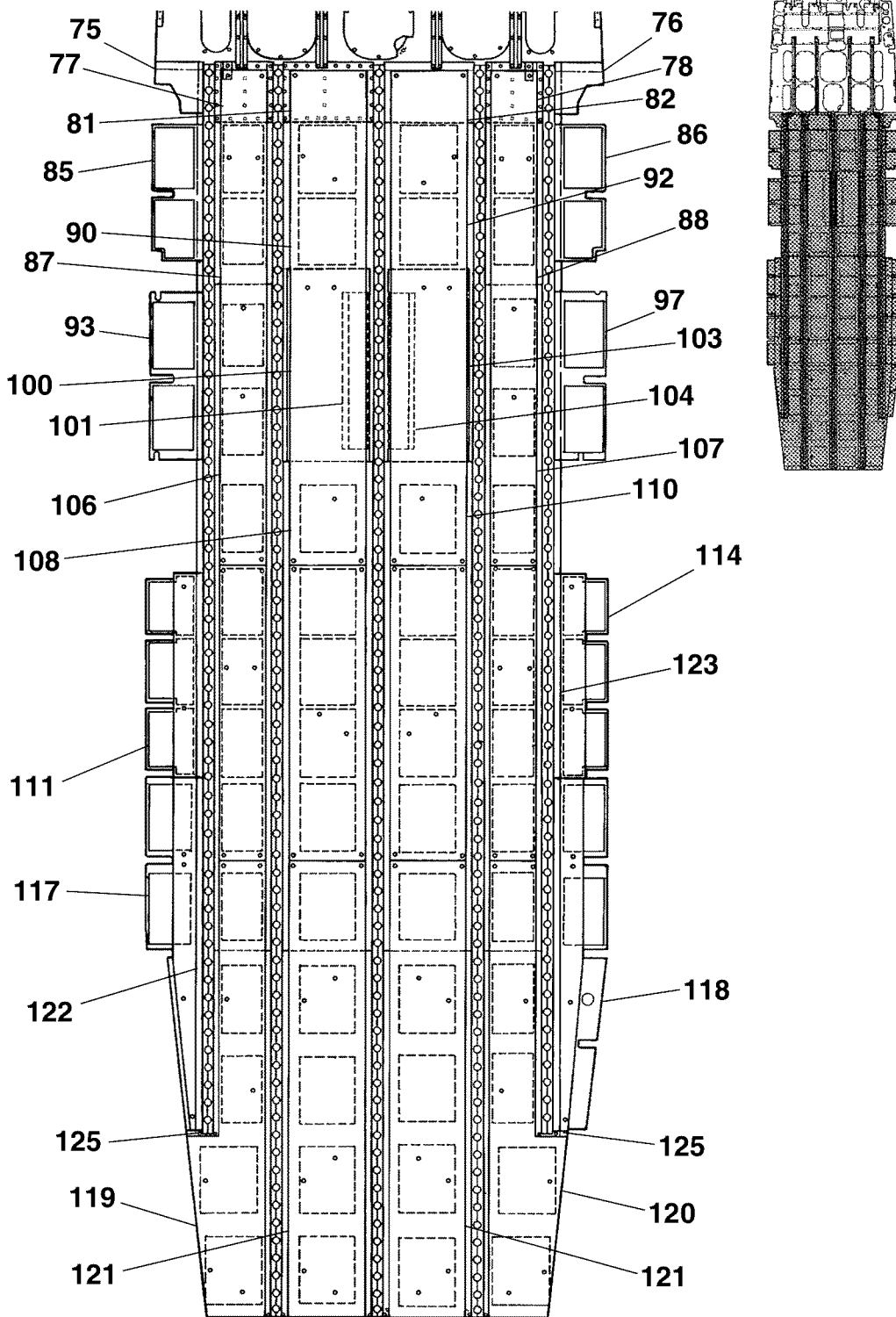
CESSNA®
MODEL 208
ILLUSTRATED PARTS CATALOG

FIG ITEM	PART NUMBER	NOMENCLATURE	UNITS	
			PER	ASSY
02				
-		CABIN FLOORBOARDS	B0001	& ON RF
1	2613110-19	. FLOORBOARD ASSY-LH FWD .032 2024 T3	B0001	B0069 01
- 2	2613110-25	. FLOORBOARD ASSY-LH FWD .032 2024 T3	B0070	& ON 01
3	MS21047L3K	. NUTPLATE		38
- 3A	MS21517L3K	. NUTPLATE		01
4	MS21047L4	. NUTPLATE		02
5	2613110-20	. FLOORBOARD ASSY-RH FWD .032 2024 T3	B0001	B0069 01
- 6	2613110-26	. FLOORBOARD ASSY-RH FWD .032 2024 T3	B0070	& ON 01
7	MS21047L3	. NUTPLATE		34
8	MS21047L08	. NUTPLATE		02
9	2613106-1	. SPACER PLATE .040 2024 T3		02
10	2613110-29	. FLOORBOARD ASSY-FWD CTR .032 2024 T3		01
11	MS21047L3	. NUTPLATE		06
12	NAS682A3	. NUTPLATE		02
13	2613110-17	. FLOORBOARD ASSY-REMOVABLE .032 2024 T3		01
		ATTACHING PARTS		
- 14	AN525-10R7	. SCREW		04
15	MS24694-S49	. SCREW ALT FOR AN509-10-7		03
16	S1021Z8-8	. SCREW		02
		—*—		
- 17	MS21047L3	. NUTPLATE		01
- 18	2613259-5	. CLIP .025 2024 T3		02
19	2613110-15	. FLOORBOARD ASSY-FUEL SHUTOFF VALVE .032 2024 T3		01
		ATTACHING PARTS		
20	MS24694-S49	. SCREW ALT FOR AN509-10-7		01
21	AN525-10R7	. SCREW		06
		—*—		
- 22	MS21047L3	. NUTPLATE		01
- 23	S4213-17	. CLIP NUT		02
24	2613110-3	. FLOORBOARD ASSY-CTR .032 2024 T42		01
25	MS21047L3	. NUTPLATE		20
26	2613180-1	. SUPPORT ASSY .040 2024 T42		01
27	2613232-1	. SUPPORT ASSY .040 2024 T42		01
- 28	S1741-1	. ANCHOR		02
- 29	MS21047L3	. NUTPLATE		11
- 30	MS21069L3	. NUTPLATE		01
- 31	AN743P13	. BRACKET		01
32	2613305-1	. CAP STRIP ASSY-LH .063 2024 T42		01
- 33	MS21047L3	. NUTPLATE		05
34	2613305-5	. CAP STRIP ASSY-CTR .063 2024 T42		01
- 35	MS21047L3	. NUTPLATE		05
- 36	MS21069L3	. NUTPLATE		01
37	2613305-2	. CAP STRIP ASSY-RH .063 2024 T42		01
- 38	MS21047L3	. NUTPLATE		05
39	2613304-1	. CAP STRIP .063 2024 T42		02
		ATTACHING PARTS		
- 40	MS35207-262	. SCREW		02
		—*—		
41		. AVIONICS RACK REFER TO 25-70-00 FIGURE 01		RF
42	2613176-1	. RIB-CLOSURE .032 2024 T42		01
43	2613195-21	. SCUFF PLATE ASSY-PILOT FSO 2613195-200	B0001	B0312 NP
- 43A	2613195-200	. SCUFF PLATE ASSY-PILOT	B0001	B0312 01
- 44	2613195-19	. SCUFF PLATE ASSY-PILOT FSO 2613195-22	B0313	B0396 NP
- 44A	2613195-22	. SCUFF PLATE ASSY-PILOT FSO 2613464-1	B0397	B0678 NP
- 44B	2613464-1	. FOOT REST ASSY-PILOT	B0679	B4999 01
- 44C	2691034-3	. FOOT REST ASSY-PILOT		01
- 44D	2613454-1	. FOOT REST ASSY-PILOT	B5000	B5127 01
- 44E	2613454-3	. FOOT REST ASSY-PILOT	B5128	& ON 01
		ATTACHING PARTS		
- 45	AN525-10R7	. SCREW		26
		—*—		
- 46	MS21047L3	. NUTPLATE		05
47	2613399-1	. COVER ASSY-ELEVATOR TRIM CHAIN .040 2024 T42	B0001	B0396 01
- 47A	2613460-1	. CHAIN GUARD-ELEVATOR TRIM ALT FOR 2613399-1	B0397	& ON 01
48	2613195-8	. SCUFF PLATE ASSY-COPILOT	B0001	B0312 01
- 49	2613195-2	. SCUFF PLATE ASSY-COPILOT FSO 26513464-2	B0313	B0678 NP
- 49A	2613464-2	. SCUFF PLATE ASSY-COPILOT	B0679	& ON 01
		ATTACHING PARTS		
- 50	AN525-10R7	. SCREW		25
		—*—		
- 51	MS21047L3	. NUTPLATE		05
52	2613195-7	. RIB .032 2024 T42		01

- ITEM NOT ILLUSTRATED

CESSNA®
MODEL 208
ILLUSTRATED PARTS CATALOG

A24690



CABIN FLOORBOARDS
FIGURE 02 (SHEET 2)

2611M4007
26114003

CESSNA®
MODEL 208
ILLUSTRATED PARTS CATALOG

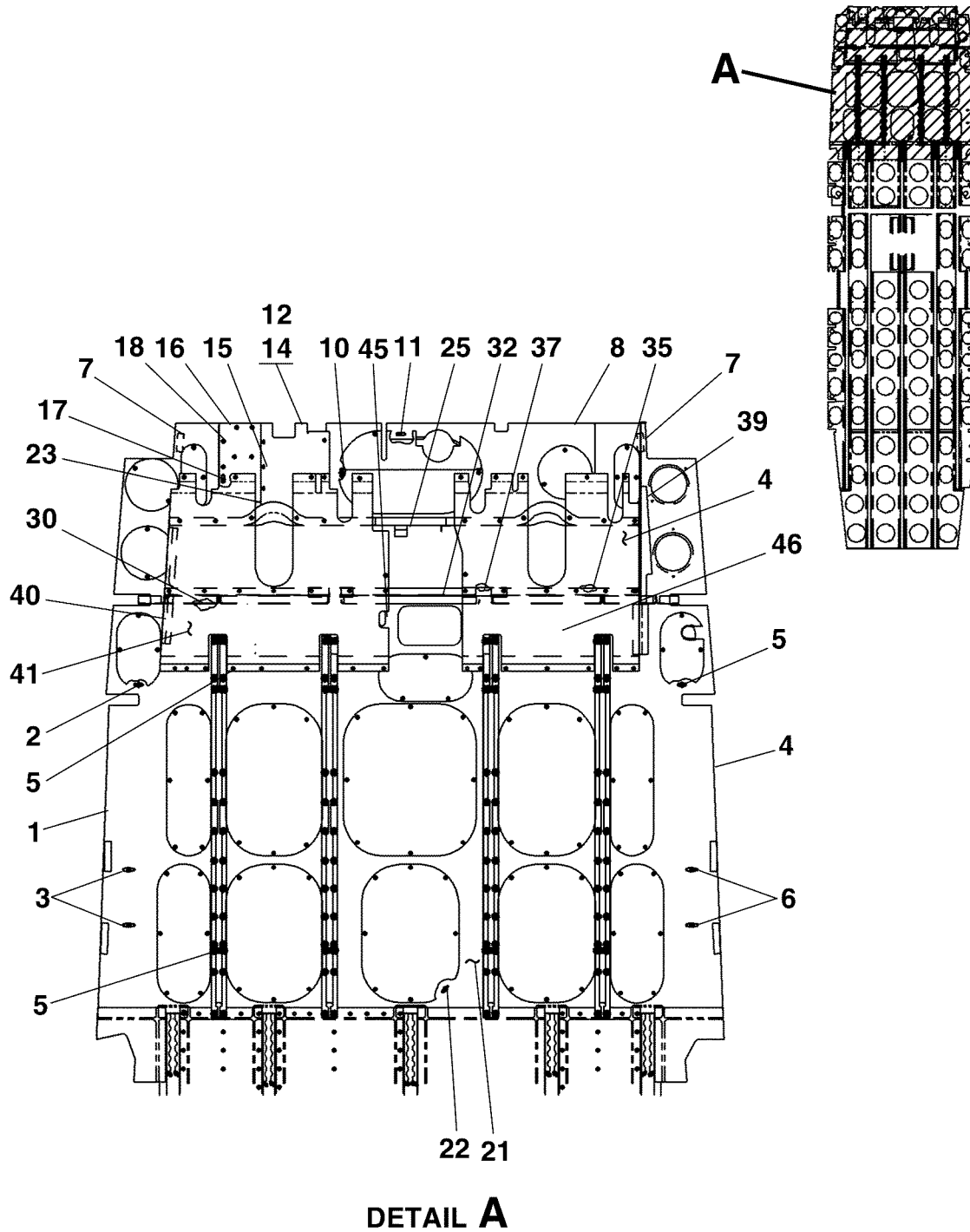
FIG ITEM	PART NUMBER	NOMENCLATURE	UNITS							
			1	2	3	4	5	6	7	PER ASSY
02										
75	2611119-3	. FLOORBOARD-LH OUTBD .032 2024 T42								01
76	2611119-2	. FLOORBOARD-RH OUTBD .032 2024 T42								01
77	2611065-3	. FLOORBOARD-LH .032 2024 T3								01
78	2611065-4	. FLOORBOARD-RH .032 2024 T3								01
		ATTACHING PARTS								
- 79	AN525-10R8	. SCREW-CORNER ATTACH								04
- 80	AN525-10R7	. SCREW								14
		—*—								
81	2611065-7	. FLOORBOARD-LH INBD .032 2024 T3								01
82	2611065-8	. FLOORBOARD-RH INBD .032 2024 T3								01
		ATTACHING PARTS								
- 83	AN525-10R8	. SCREW-CORNER ATTACH								04
- 84	AN525-10R7	. SCREW								21
		—*—								
85	2611127-17	. FLOORBOARD ASSY-LH OUTBD .032 2024 T3								01
- 85A	2696013-3	. SHIM-LH OUTBD .063 6061 T6 REFER TO NOTE 1								02 R
86	2611127-18	. FLOORBOARD ASSY-RH OUTBD .032 2024 T3								01
- 86A	2696013-3	. SHIM-RH OUTBD .063 6061 T6 REFER TO NOTE 1								02 R
87	2611065-13	. FLOORBOARD ASSY-LH .032 2024 T3								01
88	2611065-16	. FLOORBOARD ASSY-RH .032 2024 T3								01
		ATTACHING PARTS								
- 89	AN525-10R8	. SCREW								06
		—*—								
90	2611065-9	. FLOORBOARD ASSY-LH INBD .032 2024 T3								01
		ATTACHING PARTS								
- 91	AN525-10R7	. SCREW								13
		—*—								
92	2611065-10	. FLOORBOARD ASSY-RH INBD .032 2024 T3								01
93	2611127-1	. FLOORBOARD ASSY-LH OUTBD FSO 2611127-25					B0001	B0054		NP
- 94	2611127-11	. FLOORBOARD ASSY-LH OUTBD FSO 2611127-25					B0055	B0213		NP
- 95	2611127-21	. FLOORBOARD ASSY-LH OUTBD FSO 2611127-25					B0214	B0330		NP
- 96	2611127-25	. FLOORBOARD ASSY-LH OUTBD .032 2024 T3					B0331	& ON		01
97	2611127-2	. FLOORBOARD ASSY-RH OUTBD FSO 2611127-12					B0001	B0054		NP
- 98	2611127-12	. FLOORBOARD ASSY-RH OUTBD .032 2024 T3					B0055	B0213		01
- 99	2611127-22	. FLOORBOARD ASSY-RH OUTBD .032 2024 T3					B0214	& ON		01
100	2611115-9	. FLOORBOARD PANEL ASSY-LH								01
101	2611115-13	. STIFFENER-LH .032 2024 T42								01
- 102	2611115-14	. RUB STRIP .062 CORK								01
103	2611115-8	. FLOORBOARD PANEL ASSY-RH								01
104	2611115-12	. STIFFENER-RH .032 2024 T42								01
- 105	2611115-7	. RUB STRIP .062 CORK								01
106	2611066-9	. FLOORBOARD ASSY-LH .032 2024 T3								01
107	2611066-10	. FLOORBOARD ASSY-RH .032 2024 T3								01
108	2611066-13	. FLOORBOARD ASSY-LH INBD FSO 2611066-18					B0001	B0279		NP
- 109	2611066-18	. FLOORBOARD ASSY-LH INBD .032 2024 T3					B0280	& ON		01
110	2611066-14	. FLOORBOARD ASSY-RH INBD .032 2024 T3								01
111	2611155-5	. FLOORBOARD ASSY-LH OUTBD FSO 2611207-5					B0001	B0194		NP
- 112	2611207-3	. FLOORBOARD ASSY-LH OUTBD FSO 2611207-5					B0195	B0237		NP
- 113	2611207-5	. FLOORBOARD ASSY-LH OUTBD .063 2024 T3					B0238	& ON		01
114	2611155-6	. FLOORBOARD ASSY-RH OUTBD FSO 2611207-6					B0001	B0194		NP
- 115	2611207-4	. FLOORBOARD ASSY-RH OUTBD FSO 2611207-6					B0195	B0237		NP
- 116	2611207-6	. FLOORBOARD ASSY-RH OUTBD .063 2024 T3					B0238	& ON		01
117	2611155-11	. FLOORBOARD ASSY-LH OUTBD .063 2024 T42								01
118	2611155-12	. FLOORBOARD ASSY-RH OUTBD .063 2024 T42								01
119	2611052-1	. FLOORBOARD ASSY-LH OUTBD AFT .032 2024 T3								01
120	2611052-2	. FLOORBOARD ASSY-RH OUTBD AFT .032 2024 T3								01
121	2611052-5	. FLOORBOARD ASSY-CTR AFT LH & RH .032 2024 T3					B0001	B0279		01
- 121A	2611052-5	. FLOORBOARD ASSY-CTR AFT RH					B0280	& ON		01
- 121B	2611052-7	. FLOORBOARD ASSY-CTR AFT LH					B0280	& ON		01
122	2611040-5	. SEAT TRACK ASSY-LH OUTBD S2617-1								01
123	2611040-13	. SEAT TRACK ASSY-RH OUTBD S2617-1								01
- 124	MS21047L3	. NUTPLATE								03
125	AN525-10R8	. SCREW								04

NOTE 1—AIRPLANES -B2180 THRU -B5244 INCORPORATING CAB-27-03.

R

CESSNA®
MODEL 208
 ILLUSTRATED PARTS CATALOG

A24691



CABIN FLOORBOARDS - 208B PASSENGER VERSION
 FIGURE 03 (SHEET 1)

2611T1016
 A2611T1016

CESSNA®
MODEL 208
ILLUSTRATED PARTS CATALOG

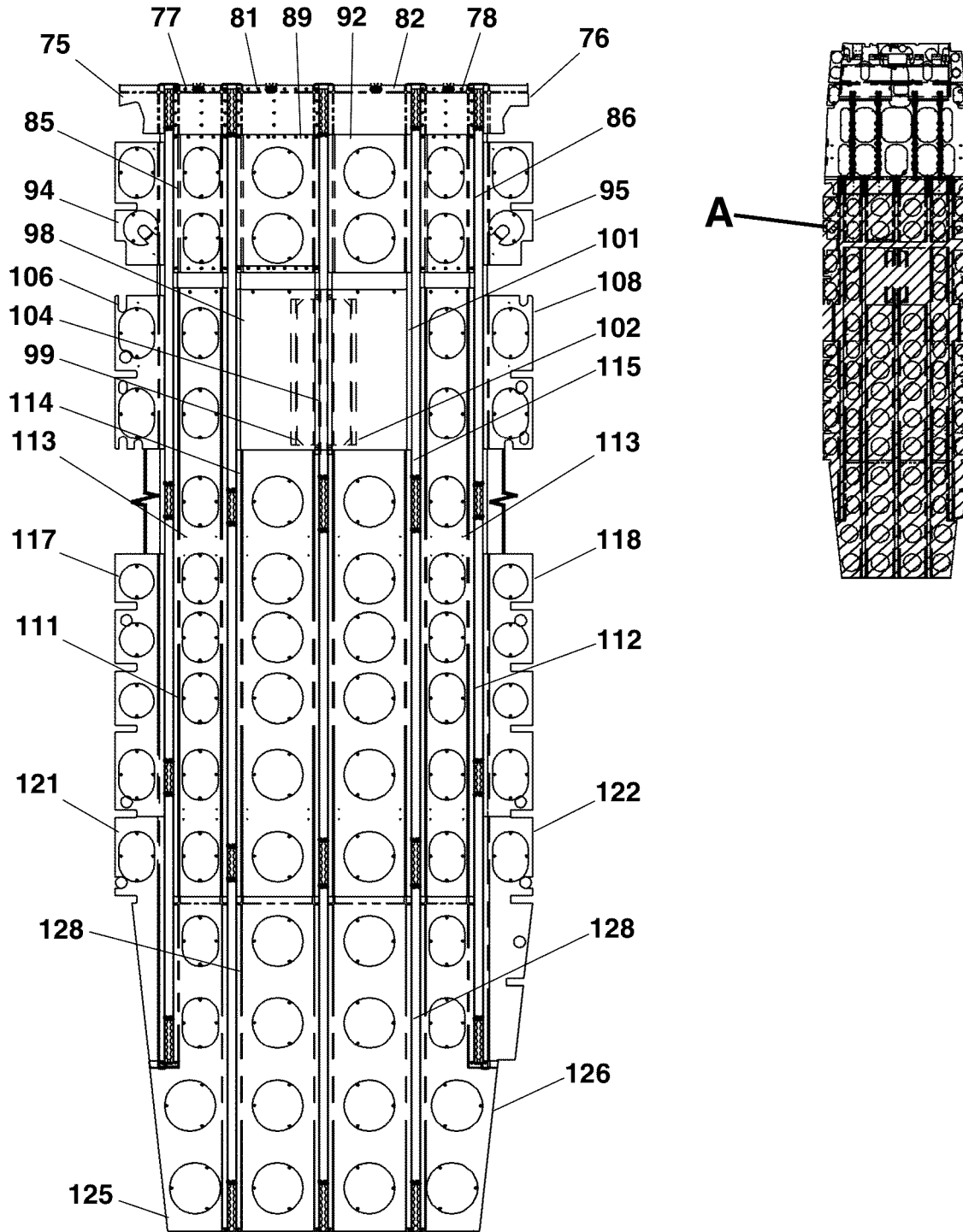
FIG ITEM	PART NUMBER	NOMENCLATURE	UNITS	
			PER ASSY	PER ASSY
03		CABIN FLOORBOARDS - 208B PASSENGER VERSION	B0214	& ON RF
-				
1	2613110-25	. FLOORBOARD ASSY-LH FWD .032 2024 T3		01
2	MS21047L3	. NUTPLATE		38
3	MS21047L4	. NUTPLATE		02
4	2613110-26	. FLOORBOARD ASSY-RH FWD .032 2024 T3		01
5	MS21047L3	. NUTPLATE		34
6	MS21047L04	. NUTPLATE		02
7	2613106-1	. SPACER PLATE .040 2024 T3		02
8	2613110-29	. FLOORBOARD ASSY-FWD CTR .025 2024 T3		01
- 9	AN525-10R7	. SCREW-FLOORBOARD ASSY ATTACH		05
10	MS21047L3	. NUTPLATE		06
11	NAS682A3	. NUTPLATE		02
12	2613110-17	. FLOORBOARD ASSY-REMOVABLE .032 2024 T3		01
- 13	MS21047L3	. NUTPLATE		01
14	AN525-10R7	. SCREW		04
15	S1021Z8-8	. SCREW		02
16	2613110-15	. FLOORBOARD ASSY FUEL SHUTOFF VALVE .032 2024 T3		01
		ATTACHING PARTS		
17	MS24694-S49	. SCREW ALT FOR AN509-10-7		01
18	AN525-10R7	. SCREW		06
		—*—		
- 19	MS21047L3	. NUTPLATE		01
- 20	S4213-17	. CLIP NUT		02
21	2613110-3	. FLOORBOARD ASSY-CTR .032 2024 T3		01
22	MS21047L3	. NUTPLATE		20
23	2613180-1	. SUPPORT ASSY		01
		ATTACHING PARTS		
- 24	AN525-10R7	. SCREW		06
		—*—		
25	2613232-1	. SUPPORT ASSY .032 2024 T3		01
- 26	S1741-1	. ANCHOR		02
- 27	MS21047L3	. NUTPLATE		11
- 28	MS21069L3	. NUTPLATE		01
- 29	AN743P13	. BRACKET		01
30	2613305-1	. CAP STRIP ASSY-LH .063 2024 T3		01
- 31	MS21047L3	. NUTPLATE		05
32	2613305-5	. CAP STRIP ASSY-CTR .063 2024 T42		01
- 33	MS21047L3	. NUTPLATE		05
- 34	MS21069L3	. NUTPLATE		01
35	2613305-2	. CAP STRIP ASSY-RH .063 2024 T3		01
- 36	MS21047L3	. NUTPLATE		05
37	2613304-1	. CAP STRIP .063 2024 T42		02
- 38	MS35207-262	. SCREW-CAP STRIP ATTACH		02
39		. AVIONICS RACK REFER TO 25-70-00 FIGURE 01		RF
40	2613176-1	. RIB-CLOSURE .032 2024 T42		01
41	2613195-21	. SCUFF PLATE ASSY-PILOT FSO 2613195-200	B0214 B0312	NP
- 41A	2613195-200	. SCUFF PLATE ASSY-PILOT	B0214 B0312	01
- 42	2613195-19	. SCUFF PLATE ASSY-PILOT FSO 2613195-22	B0313 B0396	NP
- 42A	2613195-22	. SCUFF PLATE ASSY-PILOT FSO 2613464-1	B0397 B0678	NP
- 42B	2613464-1	. FOOT REST ASSY-PILOT	B0679 B4999	01
- 42C	2691034-3	. FOOT REST ASSY-PILOT REFER TO NOTE 1		01
- 42D	2613454-1	. FOOT REST ASSY-PILOT	B5000 B5127	01
- 42E	2613454-3	. FOOT REST ASSY-PILOT	B5128 & ON	01
		ATTACHING PARTS		
- 43	AN525-10R7	. SCREW		26
		—*—		
- 44	MS21047L3	. NUTPLATE		05
45	2613399-1	. COVER ASSY-ELEVATOR TRIM CHAIN	B0214 B0396	01
- 45A	2613460-1	. CHAIN GUARD-ELEVATOR TRIM ALT FOR 2613399-1	B0397 & ON	01
46	2613195-8	. SCUFF PLATE ASSY-COPILOT	B0214 B0312	01
- 47	2613195-2	. SCUFF PLATE ASSY-COPILOT FSO 2613464-2	B0313 B0678	NP
- 47A	2613464-2	. SCUFF PLATE ASSY-COPILOT	B0679 & ON	01
		ATTACHING PARTS		
- 48	AN525-10R7	. SCREW		25
		—*—		
- 49	MS21047L3	. NUTPLATE		05
- 50	2613195-7	. RIB .032 2024 T42		01
- 51	MS21047L3	. NUTPLATE		03
- 52	AN3-10A	. BOLT	B0214 B0312	12
- 53	AN3-7A	. BOLT	B0313 & ON	08
- 54	NAS43HT3-12	. SPACER	B0214 B0312	24
- 55	NAS43HT3-12	. SPACER	B0313 & ON	16
- 56	MS21044N3	. NUT	B0214 B0312	12
- 57	MS21044N3	. NUT	B0313 & ON	08

NOTE 1—AIRPLANES-B0214 THRU -B4999 INCORPORATING CAB-32-01.

- ITEM NOT ILLUSTRATED

CESSNA®
MODEL 208
 ILLUSTRATED PARTS CATALOG

A24692



DETAIL A

CABIN FLOORBOARDS - 208B PASSENGER VERSION
 FIGURE 03 (SHEET 2)

2611T1016
 A2611T1016

CESSNA®
MODEL 208
ILLUSTRATED PARTS CATALOG

FIG ITEM	PART NUMBER	NOMENCLATURE	1 2 3 4 5 6 7							UNITS PER ASSY
03										
75	2611119-3	. FLOORBOARD-LH OUTBD .032 2024 T42								01
76	2611119-2	. FLOORBOARD-RH OUTBD .032 2024 T42								01
77	2611065-3	. FLOORBOARD-LH .032 2024 T42								01
78	2611065-4	. FLOORBOARD-RH .032 2024 T42								01
		ATTACHING PARTS								
- 79	AN525-10R8	. SCREW								04
- 80	AN525-10R7	. SCREW								14
		—*—								
81	2611065-7	. FLOORBOARD-LH INBD .032 2024 T3								01
82	2611065-8	. FLOORBOARD-RH INBD .032 2024 T3								01
		ATTACHING PARTS								
- 83	AN525-10R8	. SCREW								04
- 84	AN525-10R7	. SCREW								21
		—*—								
85	2611065-13	. FLOORBOARD ASSY-LH .032 2024 T3								01
86	2611065-16	. FLOORBOARD ASSY-RH .032 2024 T3								01
		ATTACHING PARTS								
- 87	AN525-10R8	. SCREW								06
		—*—								
- 88	MS21047L3	. NUTPLATE								08
89	2611065-9	. FLOORBOARD ASSY-LH INBD .032 2024 T3								01
		ATTACHING PARTS								
- 90	AN525-10R7	. SCREW								13
		—*—								
- 91	MS21047L3	. NUTPLATE								11
92	2611065-10	. FLOORBOARD ASSY-RH INBD .032 2024 T3								01
- 93	MS21047L3	. NUTPLATE								06
94	2611127-17	. FLOORBOARD ASSY-LH OUTBD .032 2024 T3								01
- 94A	2696013-3	. SHIM-LH OUTBD .063 6061 T6 REFER TO NOTE 1								02 R
95	2611127-18	. FLOORBOARD ASSY-RH OUTBD .032 2024 T3								01
- 95A	2696013-3	. SHIM-RH OUTBD .063 6061 T6 REFER TO NOTE 1								02 R
- 96	MS21047L08	. NUTPLATE								02
- 97	MS21047L3	. NUTPLATE								07
98	2611115-9	. FLOORBOARD PANEL ASSY-LH								01
99	2611115-13	. STIFFENER-LH .032 2024 T42								01
- 100	2611115-14	. RUB STRIP .062 CORK								01
101	2611115-8	. FLOORBOARD PANEL ASSY-RH								01
102	2611115-12	. STIFFENER-RH .032 2024 T42								01
- 103	2611115-7	. RUB STRIP .062 CORK								01
104	2611148-4	. STIFFENER ASSY								01
- 105	2611148-3	. RUB STRIP .062 CORK								01
106	2611127-21	. FLOORBOARD ASSY-LH OUTBD FSO 2611127-25						B0214 B0330		NP
- 107	2611127-25	. FLOORBOARD ASSY-LH OUTBD .032 2024 T3						B0331 & ON		01
108	2611127-22	. FLOORBOARD ASSY-RH OUTBD .032 2024 T3								01
- 109	MS21047L3	. NUTPLATE								08
- 110	MS21047L08	. NUTPLATE RH								02
111	2611066-9	. FLOORBOARD ASSY-LH .032 2024 T3								01
112	2611066-10	. FLOORBOARD ASSY-RH .032 2024 T3								01
113	MS21047L3	. NUTPLATE								02
114	2611066-18	. FLOORBOARD ASSY-LH INBD .032 2024 T3								01
115	2611066-14	. FLOORBOARD ASSY-RH INBD .032 2024 T3								01
- 116	MS21047L3	. NUTPLATE								26
117	2611207-5	. FLOORBOARD ASSY-LH								01
118	2611207-6	. FLOORBOARD ASSY-RH								01
- 119	MS21047L3	. NUTPLATE								13
- 120	MS21047L08	. NUTPLATE								01
121	2611207-1	. FLOORBOARD ASSY-LH								01
122	2611207-8	. FLOORBOARD ASSY-RH								01
- 123	MS21047L3	. NUTPLATE								11
- 124	MS21047L08	. NUTPLATE								02
125	2611052-1	. FLOORBOARD ASSY-LH OUTBD AFT .032 2024 T3								01
126	2611052-2	. FLOORBOARD ASSY-RH OUTBD AFT .032 2024 T3								01
- 127	MS21047L3	. NUTPLATE								14
128	2611052-5	. FLOORBOARD ASSY-CTR AFT LH & RH .032 2024 T3						B0214 B0279		02
- 129	2611052-5	. FLOORBOARD ASSY-CTR AFT RH						B0280 & ON		01
- 130	2611052-7	. FLOORBOARD ASSY-CTR AFT LH						B0280 & ON		02
- 131	MS21047L3	. NUTPLATE								12

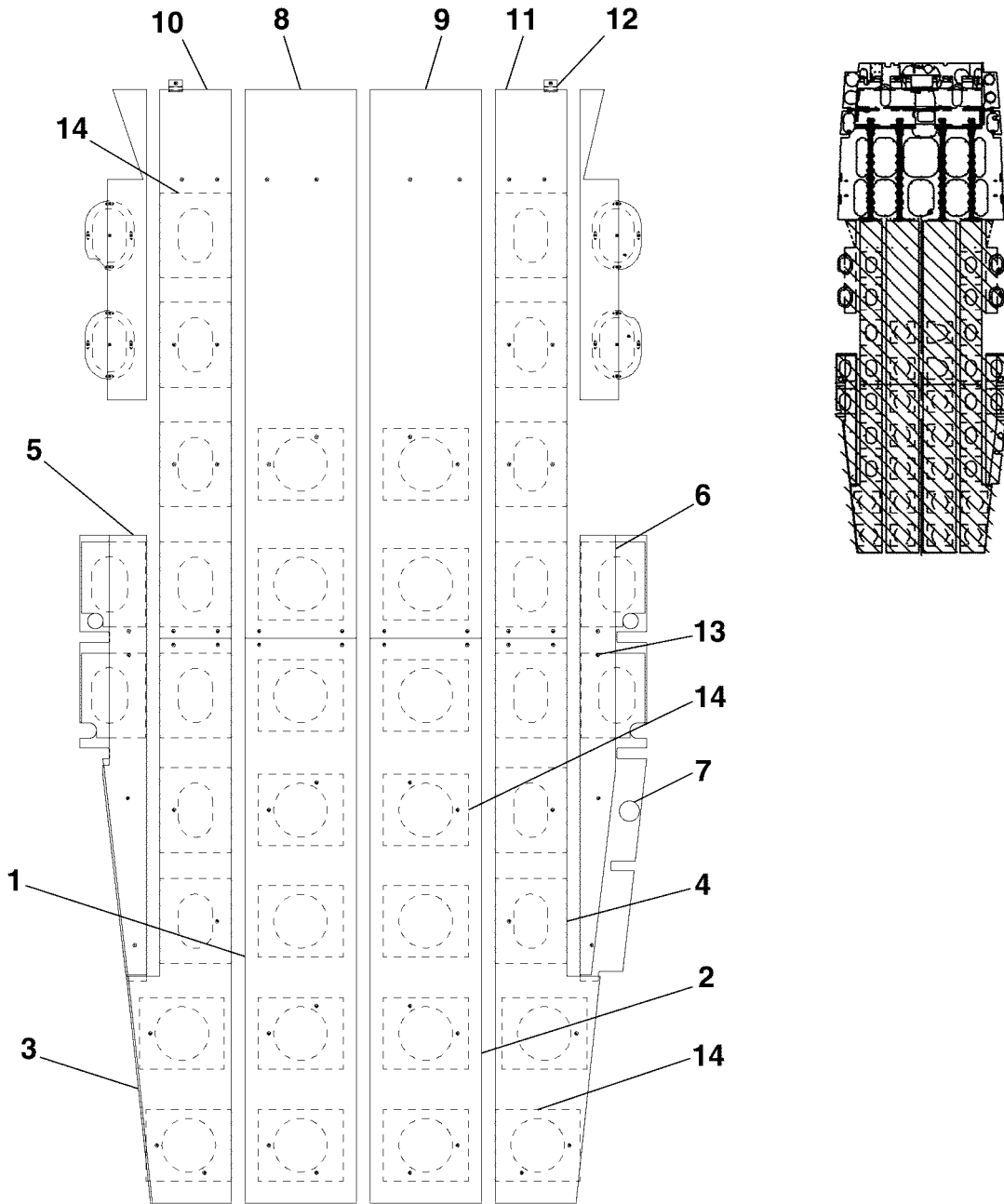
NOTE 1—AIRPLANES -B2180 THRU -B5244 INCORPORATING CAB-27-03.

R

- ITEM NOT ILLUSTRATED

CESSNA®
MODEL 208
ILLUSTRATED PARTS CATALOG

A24693



CABIN PLYWOOD FLOORBOARDS
FIGURE 01 (SHEET 1)

2611T1015
2611T1015

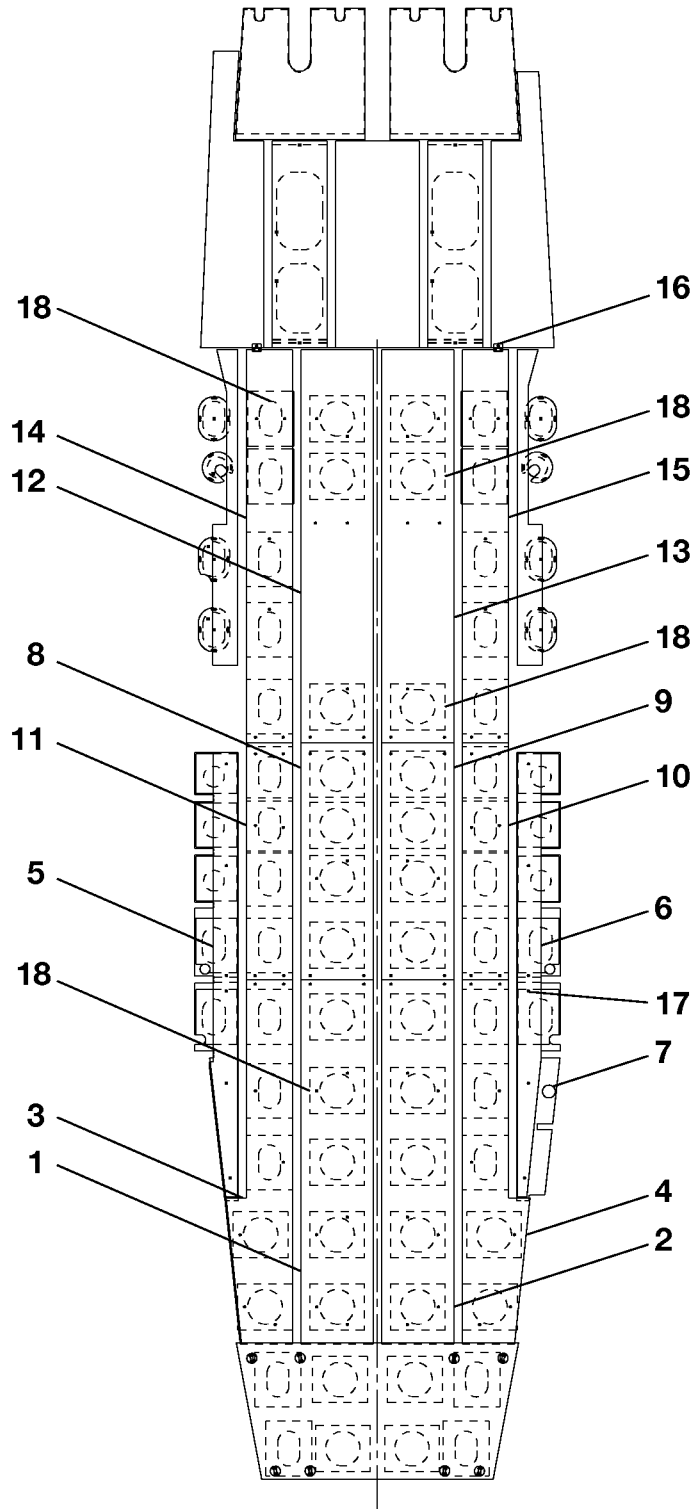
CESSNA®
MODEL 208
 ILLUSTRATED PARTS CATALOG

FIG ITEM	PART NUMBER	NOMENCLATURE	UNITS PER ASSY		
			1	2	3
01		CABIN PLYWOOD FLOORBOARDS	0001	& ON	RF R
-					
1	2615051-27	. FLOORBOARD-LH INBOARD AFT .375 PLYWOOD			01
2	2615051-28	. FLOORBOARD-RH INBOARD AFT .375 PLYWOOD			01
3	2615051-29	. FLOORBOARD-LH OUTBOARD AFT .375 PLYWOOD			01
4	2615051-30	. FLOORBOARD-RH OUTBOARD AFT .375 PLYWOOD			01
5	2615051-37	. FLOORBOARD-LH OUTBOARD .375 PLYWOOD			01
6	2615051-38	. FLOORBOARD-RH OUTBOARD .375 PLYWOOD			01
7	2601116-6	. COVER-ACCESS			01
8	2615051-33	. FLOORBOARD-LH INBOARD FORWARD .375 PLYWOOD			01
9	2615051-34	. FLOORBOARD-RH INBD FWD .375 PLYWOOD FSO 2515051-42	0001	0261	NP R
- 9A	2615051-42	. FLOORBOARD-RH INBOARD FORWARD .375 PLYWOOD	0262	& ON	01
10	2615051-35	. FLOORBOARD-RH OUTBOARD FORWARD .375 PLYWOOD			01
11	2615051-36	. FLOORBOARD-LH OUTBOARD FORWARD .375 PLYWOOD			01
12	2615086-1	. RETAINER .050 2024 90K			02
13	AN525-10R12	. SCREW			66
14	2601116-7	. COVER-ACCESS			36

- ITEM NOT ILLUSTRATED

CESSNA®
MODEL 208
ILLUSTRATED PARTS CATALOG

A24694



CABIN PLYWOOD FLOORBOARDS
FIGURE 02 (SHEET 1)

2611T1014

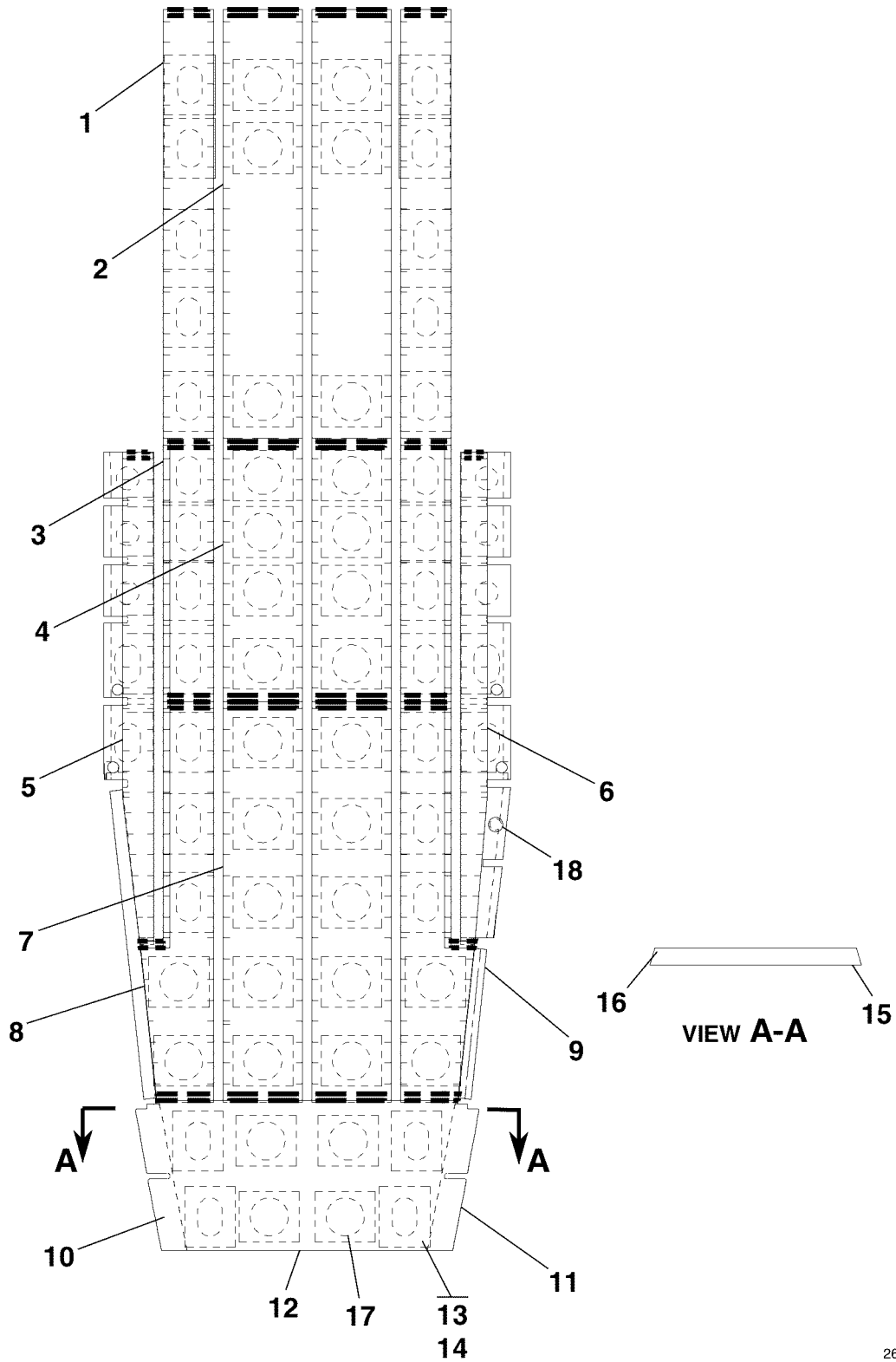
CESSNA®
MODEL 208
 ILLUSTRATED PARTS CATALOG

FIG ITEM	PART NUMBER	NOMENCLATURE	UNITS	
			PER	ASSY
		1 2 3 4 5 6 7		
02				
-		CABIN PLYWOOD FLOORBOARDS	B0001	& ON RF R
1	2615051-27	. FLOORBOARD-LH INBOARD AFT .375 PLYWOOD		01
2	2615051-28	. FLOORBOARD-RH INBOARD AFT .375 PLYWOOD		01
3	2615051-29	. FLOORBOARD-LH OUTBOARD AFT .375 PLYWOOD		01
4	2615051-30	. FLOORBOARD-RH OUTBOARD AFT .375 PLYWOOD		01
5	2615051-41	. FLOORBOARD-LH .375 PLYWOOD		01
6	2615051-40	. FLOORBOARD-RH .375 PLYWOOD		01
7	2601116-6	. ACCESS COVER		01
8	2615051-17	. FLOORBOARD-LH INBOARD .375 PLYWOOD		01
9	2615051-18	. FLOORBOARD-RH INBOARD .375 PLYWOOD		01
10	2615051-19	. FLOORBOARD-RH OUTBOARD .375 PLYWOOD		01
11	2615051-20	. FLOORBOARD-LH OUTBOARD .375 PLYWOOD		01
12	2615051-25	. FLOORBOARD-LH INBOARD FORWARD .375 PLYWOOD		01
13	2615051-26	. FLOORBOARD-RH INBOARD FORWARD .375 PLYWOOD		01
14	2615051-23	. FLOORBOARD-LH OUTBOARD FORWARD .375 PLYWOOD		01
15	2615051-24	. FLOORBOARD-RH OUTBOARD FORWARD .375 PLYWOOD		01
16	2615086-1	. RETAINER .050 4130 90K		02
17	AN525-10R12	. SCREW		92
18	2601116-7	. ACCESS COVER		62

- ITEM NOT ILLUSTRATED

CESSNA®
MODEL 208
ILLUSTRATED PARTS CATALOG

A29304



CABIN PLYWOOD FLOORBOARDS - 5/8 INCH
FIGURE 03 (SHEET 1)

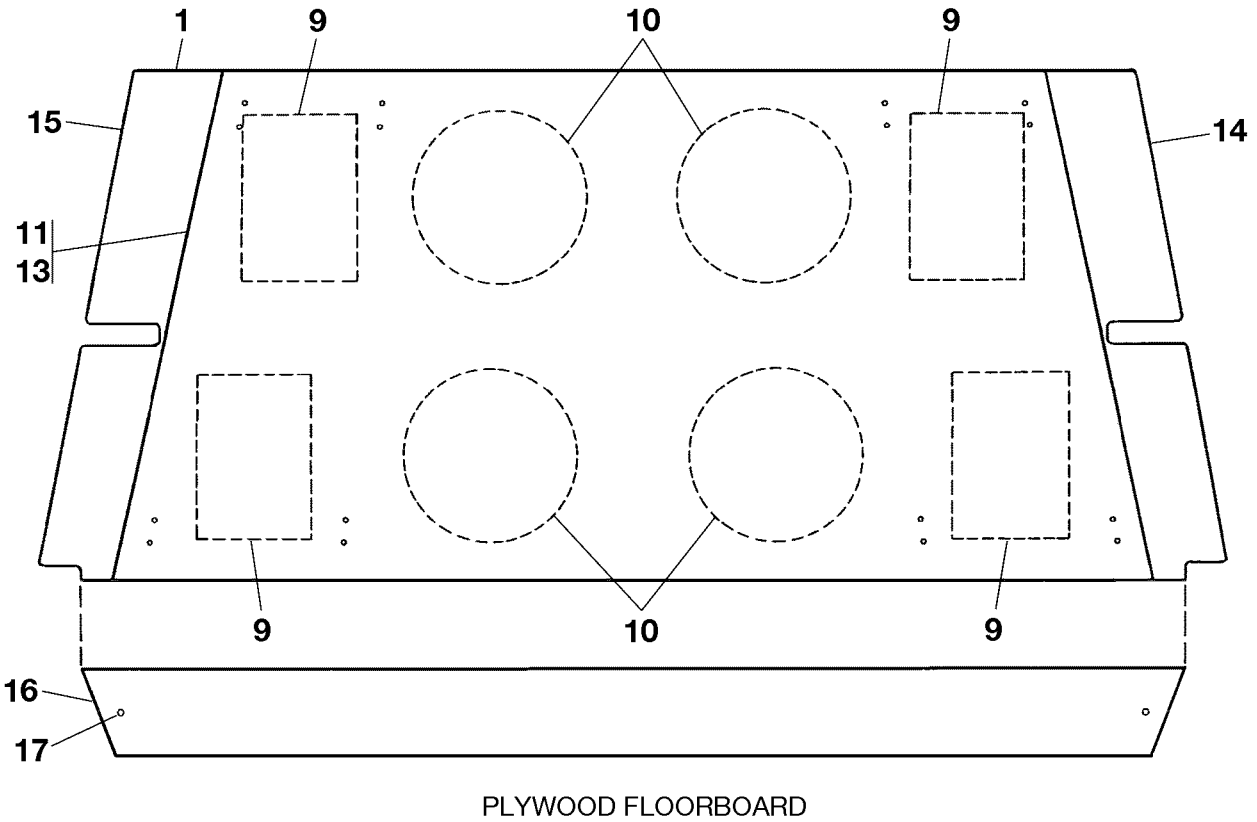
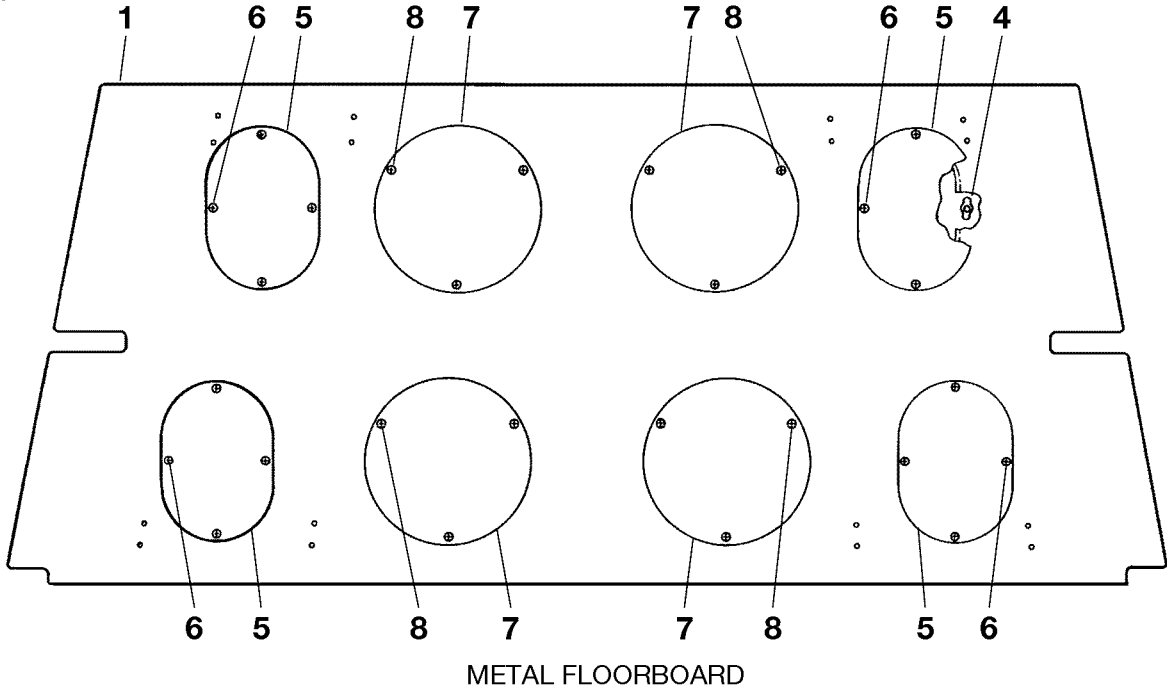
2619T1156
AA2619T1156

CESSNA®
MODEL 208
 ILLUSTRATED PARTS CATALOG

FIG ITEM	PART NUMBER	NOMENCLATURE	1 2 3 4 5 6 7							UNITS PER ASSY	
03		CABIN PLYWOOD FLOORBOARDS - 5/8 INCH								B0001 & ON	RF
-											
1	2601492-10	. FLOORBOARD PLYWOOD ASSY-LH AND RH OUTBD									02
2	2601492-12	. FLOORBOARD PLYWOOD ASSY-LH AND RH INBD									02
3	2601492-4	. FLOORBOARD PLYWOOD ASSY-LH AND RH OUTBD									02
4	2601492-2	. FLOORBOARD PLYWOOD ASSY-LH AND RH INBD									02
5	2601492-7	. FLOORBOARD PLYWOOD ASSY-LH OUTBD									01
6	2601492-6	. FLOORBOARD PLYWOOD ASSY-RH OUTBD									01
7	2601492-18	. FLOORBOARD PLYWOOD ASSY-LH AND RH CENTER									02
8	2601492-15	. FLOORBOARD PLYWOOD ASSY-LH INBD									01
9	2601492-14	. FLOORBOARD PLYWOOD ASSY-RH INBD									01
10	2601364-5	. COVER-LH									01
11	2601364-4	. COVER-RH									01
12	2615051-39	. FLOORBOARD-TAILCONE									01
		ATTACHING PARTS									
13	MS24694S56	. SCREW									16
14	20050-52	. ANCHOR PLATE ALT FOR 40000-11 AND 40000-15 V95957									08 R
		—*—									
15	2601492-20	. BULKHEAD COVER									01
		ATTACHING PARTS									
16	AN525-10R14	. SCREW									02
		—*—									
17	2601116-7	. ACCESS COVER									66
18	2601116-6	. ACCESS COVER									01
- 19	F990328	. FABRIC FASTENER									AR R

CESSNA®
MODEL 208
 ILLUSTRATED PARTS CATALOG

A24695



TAILCONE FLOORBOARD INSTALLATION
 FIGURE 01 (SHEET 1)

2611R3009
 2611R3008

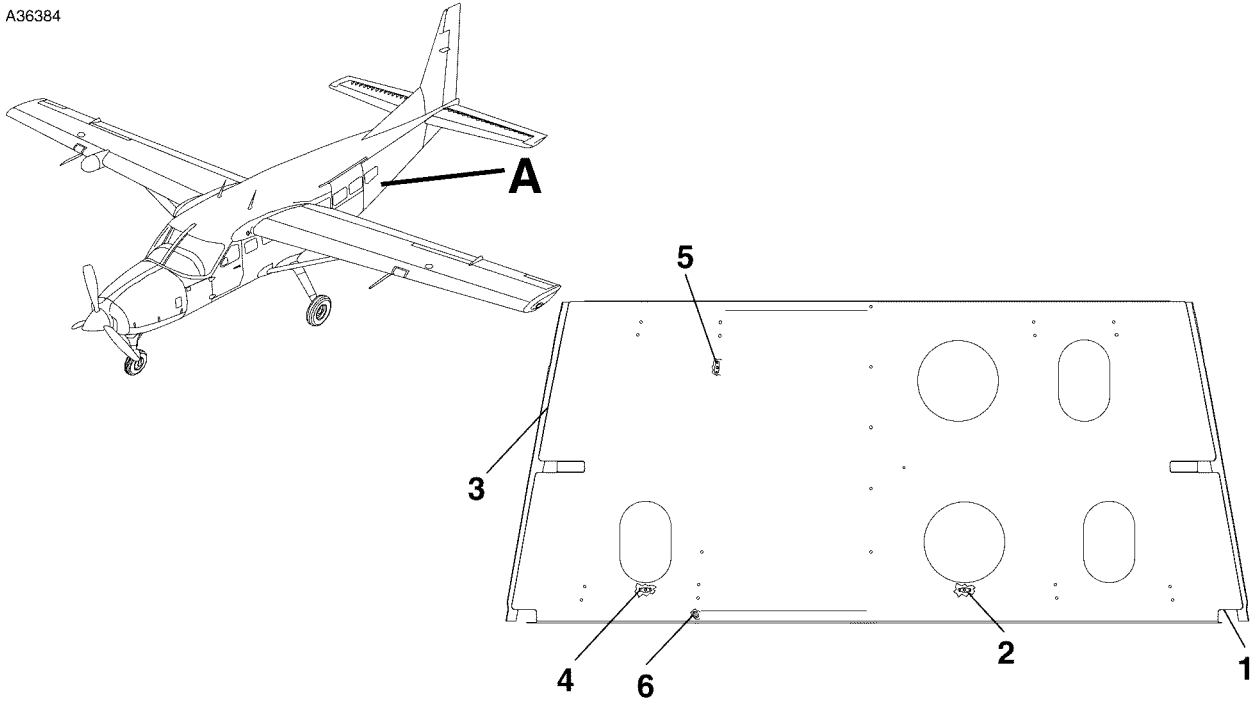
CESSNA®
MODEL 208
ILLUSTRATED PARTS CATALOG

FIG ITEM	PART NUMBER	NOMENCLATURE	UNITS PER ASSY		
			1	2	3
01		TAILCONE FLOORBOARD INSTALLATION			RF
-		—*—			
1	2612050-1	. FLOORBOARD ASSY STA 284.00 TO STA 308.00	0001	& ON	01
- 2	2612050-1	. FLOORBOARD ASSY STA 332.00 TO STA 356.00	B0001	B2499	01 R
- 3	2612050-5	. FLOORBOARD ASSY	B5000	& ON	01 R
4	MS21047L3	. . NUTPLATE			28
5	2611058-1	. ACCESS COVER	0001	& ON	04
			B0001	& ON	
		ATTACHING PARTS			
6	AN525-10R7	. SCREW			04
		—*—			
7	2611058-2	. ACCESS COVER	0001	& ON	04
			B0001	& ON	
		ATTACHING PARTS			
8	AN525-10R7	. SCREW			03
		—*—			
9	2601116-7	. ACCESS COVER	0001	& ON	04
			B0001	& ON	
10	2601116-6	. ACCESS COVER	0001	& ON	04
			B0001	& ON	
11	2615051-11	. FLOORBOARD-PLYWOOD FSO 2615051-39	0001	0185	NP
			B0001	B0213	
- 11A	2615051-39	. FLOORBOARD-PLYWOOD	0186	& ON	01
			B0214	& ON	
		ATTACHING PARTS			
- 12	MS24694S58	. SCREW			16
		—*—			
13	2615051-39	. FLOORBOARD-PLYWOOD	0186	& ON	01
			B0214	& ON	
14	2601364-5	. COVER-FLOORBOARD LH	0186	& ON	01
			B0214	& ON	
15	2601364-4	. COVER-FLOORBOARD RH	0186	& ON	01
			B0214	& ON	
16	2615051-12	. COVER-BULKHEAD	0186	& ON	01
			B0214	& ON	
		ATTACHING PARTS			
17	AN525-10R14	. SCREW	0186	& ON	02
		—*—	B0214	& ON	

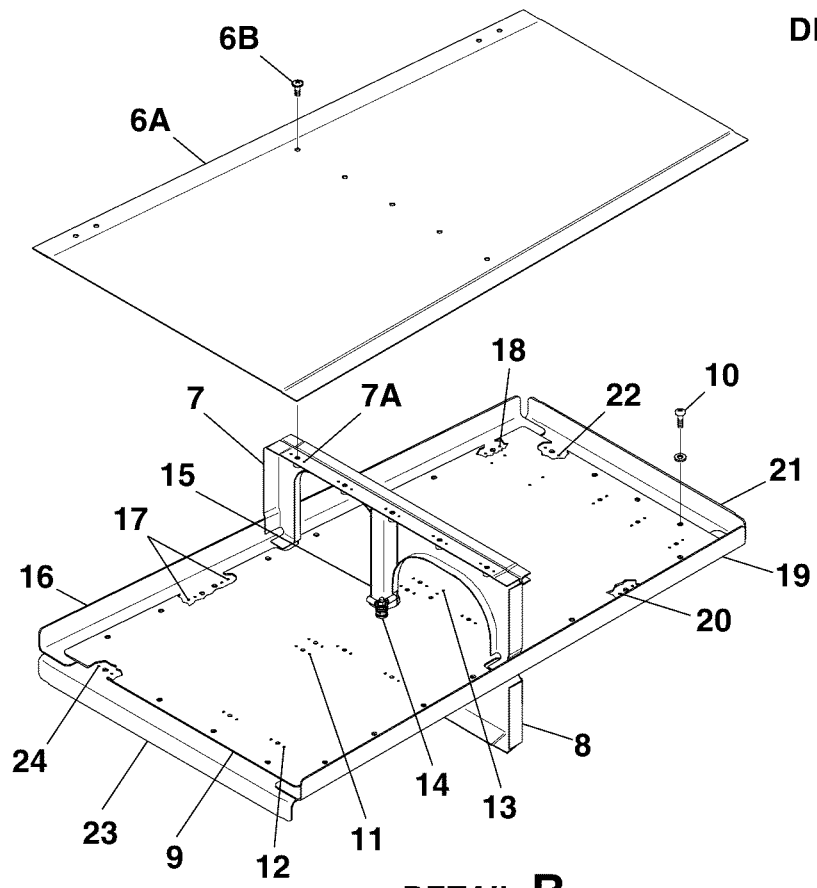
- ITEM NOT ILLUSTRATED

CESSNA®
MODEL 208
 ILLUSTRATED PARTS CATALOG

A36384



DETAIL A



DETAIL B

TAILCONE FLOORBOARD AND SHELF INSTALLATION - ARTEX ELT
 FIGURE 02 (SHEET 1)

2610T7005
 A2612T1010
 B2612T1011

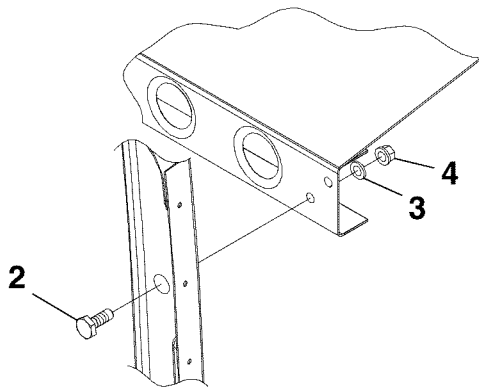
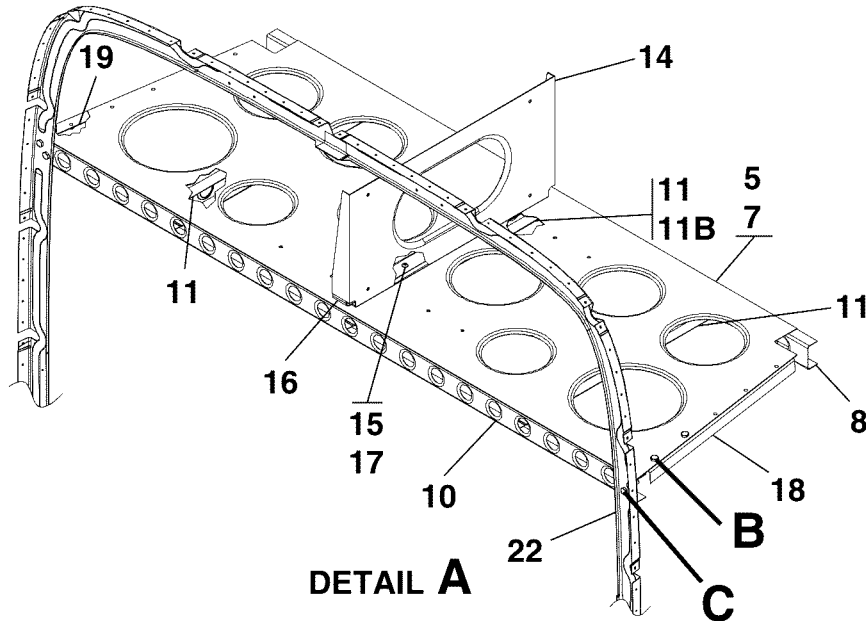
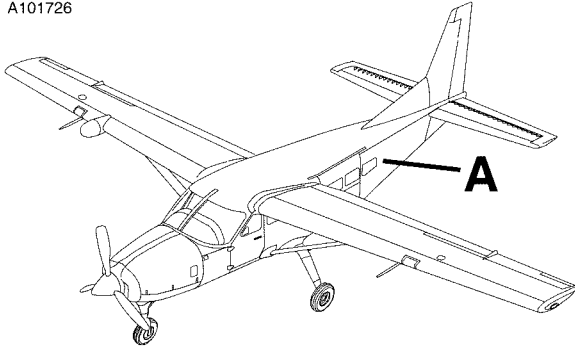
CESSNA®
MODEL 208
 ILLUSTRATED PARTS CATALOG

FIG ITEM	PART NUMBER	NOMENCLATURE	UNITS		
			PER	ASSY	
		1 2 3 4 5 6 7			
02		TAILCONE FLOORBOARD AND SHELF INSTALLATION - ARTEX ELT	0349	& ON	RF R
-			B0914	& ON	
1	2601476-9	. FLOORBOARD ASSY-LH			01
2	MS21047L3	. . NUTPLATE			14
3	2601476-8	. FLOORBOARD ASSY-RH			01
4	MS21047L3	. . NUTPLATE			08
5	MS21047L3	. . NUTPLATE			10
6	MS21073L08	. . NUTPLATE			04
6A	2601476-6	. COVER			01
		ATTACHING PARTS			
6B	AN525-10R8	. SCREW			05
		—*—			
7	2601476-20	. FLOORBOARD SUPPORT ASSY			01
7A	MS21047L3	. . NUTPLATE			05
8	2601476-43	. SHELF SUPPORT			01
9	2601476-48	. SHELF ASSY			01
		ATTACHING PARTS			
10	MS35206-264	. SCREW			23
		—*—			
11	MS21060L3	. . NUTPLATE			04
12	MS21059L08	. . NUTPLATE			08
13	MS21061L08	. . NUTPLATE			02
14	9256010-1	. . STUD ASSY-ELECTRICAL GROUND			01
15	2601476-19	. SUPPORT ANGLE			01
16	2601476-50	. OUTBD ANGLE ASSY			01
17	MS21051L3	. . NUTPLATE			02
18	MS21059L3	. . NUTPLATE			07
19	2601476-39	. INBD ANGLE ASSY			01
20	MS21059L3	. . NUTPLATE			08
21	2601476-41	. AFT ANGLE ASSY			01
22	MS21059L3	. . NUTPLATE			04
23	2601476-40	. FWD ANGLE ASSY			01
24	MS21059L3	. . NUTPLATE			04

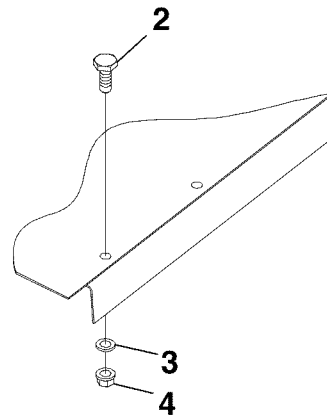
- ITEM NOT ILLUSTRATED

CESSNA®
MODEL 208
 ILLUSTRATED PARTS CATALOG

A101726



DETAIL C
 AIRPLANES 2080585 AND ON
 AND 208B5294 AND ON
 TYPICAL



DETAIL B
 AIRPLANES 2080585 AND ON
 AND 208B5294 AND ON
 TYPICAL

TAILCONE SHELF ASSEMBLY
 FIGURE 01 (SHEET 1)

2610T7002
 A-C2601020-1

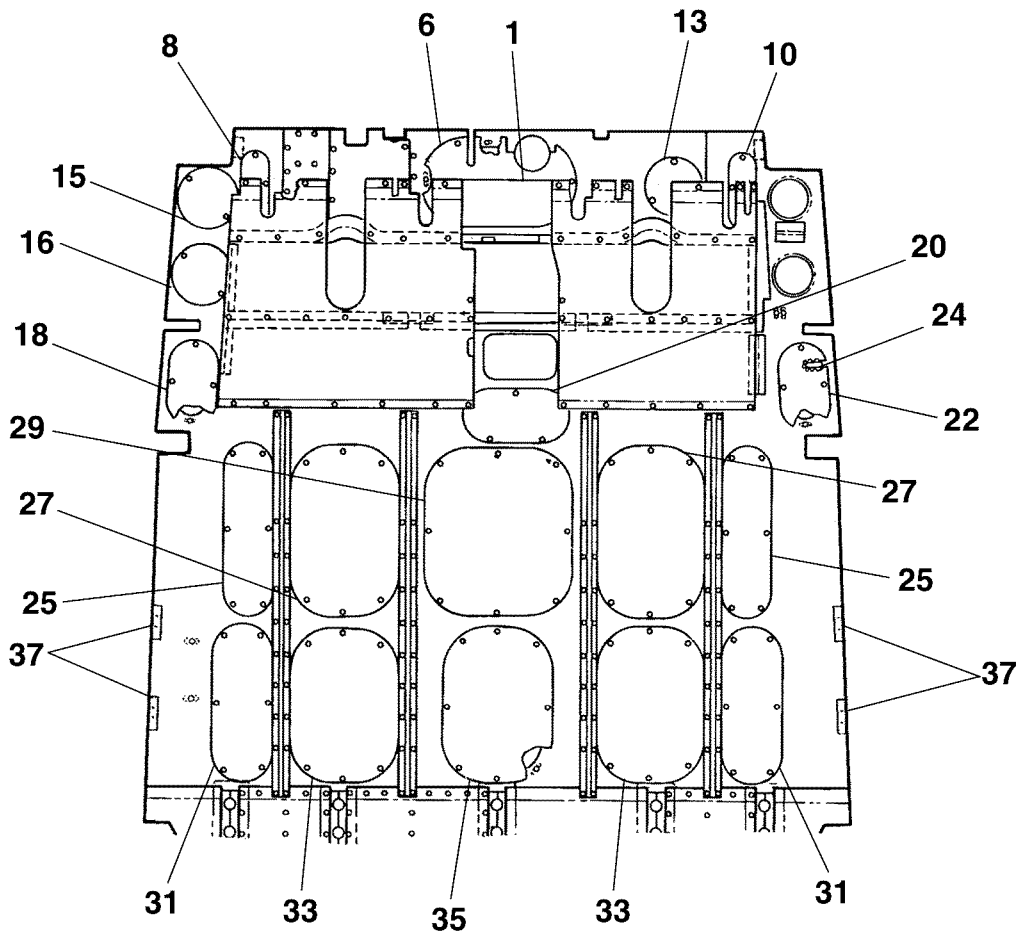
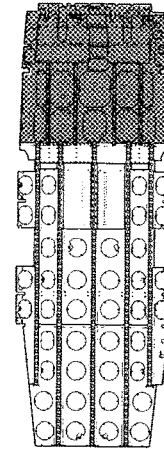
**CESSNA®
MODEL 208
ILLUSTRATED PARTS CATALOG**

FIG ITEM	PART NUMBER	NOMENCLATURE	UNITS PER ASSY		
			1	2	3
01		TAILCONE SHELF ASSEMBLY			RF
- 1	2601014-1	. SHELF ASSY	0001	0499	01
			B0001	B1999	
- 1A	2601014-31	. SHELF ASSY	0500	0584	01
			B2000	B5293	
- 1B	2601020-1	. SHELF ASSY	0585	& ON	01
			B5294	& ON	
		ATTACHING PARTS			
2	AN3-4A	. BOLT	0585	& ON	18
			B5294	& ON	
3	MS21043-3	. NUT	0585	& ON	18
			B5294	& ON	
4	NAS1149C0332B	. WASHER	0585	& ON	18
			B5294	& ON	
		—*—			
5	2601014-2	. . SHELF ASSY	0001	0499	01
			B0001	B1999	
- 5A	2601014-32	. . SHELF ASSY	0500	0584	01
			B2000	B5293	
- 5B	2601020-5	. . SHELF ASSY	0585	& ON	01
			B5294	& ON	
- 6	MS21047L08	. . . NUTPLATE	0001	0499	22
			B0001	B1999	
- 6A	MS21047L08	. . . NUTPLATE	0500	0584	08
			B2000	B5293	
- 6B	MS21059L08	. . . NUTPLATE	0585	& ON	13
			B5294	& ON	
- 6C	MS21075L3N	. . . NUTPLATE	0585	& ON	02
			B5294	& ON	
7	2601014-3	. . . SHELF	0001	0499	01
			B0001	B1999	
8	2601014-4	. . SUPPORT ASSY-AFT	0001	0499	01
			B0001	B1999	
- 8A	2601014-34	. . SUPPORT-AFT	0500	0584	01
			B2000	B5293	
- 8B	2601014-9	. . SUPPORT-AFT	0585	& ON	01
			B5294	& ON	
- 9	MS21047L08	. . . NUTPLATE	0001	0499	02
			B0001	B1999	
10	2601014-6	. . SUPPORT-FWD	0001	0499	01
			B0001	B1999	
- 10A	2601014-37	. . SUPPORT-FWD	0500	0584	01
			B2000	B5293	
- 10B	2601020-8	. . SUPPORT-FWD	0585	& ON	01
			B5294	& ON	
11	2601014-7	. . SUPPORT	0001	0499	03
			B0001	B1999	
- 11A	2601014-7	. . SUPPORT	0500	& ON	02
			B2000	& ON	
11B	2601014-35	. . SUPPORT ASSY	0500	& ON	01
			B2000	& ON	
- 12	MS21047L08	. . . NUTPLATE	0500	& ON	02
			B2000	& ON	
- 13	MS21051L08	. . . NUTPLATE	0500	& ON	02
			B2000	& ON	
14	8910001-3	. . BRACKET ASSY	0500	& ON	01 R
			B2000	& ON	
		ATTACHING PARTS			
15	MS27039-0808	. . SCREW			04 R
		—*—			
16	8910001-5	. . CLIP			02
17	MS21075L08N	. . NUTPLATE			04
18	2601014-8	. . SUPPORT-LH	0001	0584	01
			B0001	B5293	
- 18A	2601020-11	. . SUPPORT-LH	0585	& ON	01
			B5294	& ON	
19	2601014-9	. . SUPPORT-RH	0001	0584	01
			B0001	B5293	
- 19A	2601020-12	. . SUPPORT-RH	0585	& ON	01
			B5294	& ON	
- 20	2612137-3	. BULKHEAD-RH/HF			01
- 21	2612137-4	. BULKHEAD-RH			01
22		. BULKHEAD-RH AND LH REFER TO 53-14-00 FIGURE 1 AND FIGURE 2 . .			RF

- ITEM NOT ILLUSTRATED

CESSNA®
MODEL 208
ILLUSTRATED PARTS CATALOG

A24697



2611M4009
26114005

FLOORBOARD ACCESS PANELS
FIGURE 01 (SHEET 1)

CESSNA®
MODEL 208
ILLUSTRATED PARTS CATALOG

FIG ITEM	PART NUMBER	NOMENCLATURE	UNITS PER ASSY		
			1	2	3
01		FLOORBOARD ACCESS PANELS			
-			0001	& ON	RF
1	2613259-1	. ACCESS COVER ASSY FSO 2613259-6 REFER TO NOTE 2	0001	0561	NP
- 1A	2691034-10	. ACCESS COVER ASSY REFER TO NOTE 2			01
- 1B	2613259-6	. ACCESS COVER ASSY	0562	& ON	01
- 2	AN525-10R7	. SCREW			02
- 3	MS21047L3	. NUTPLATE			02
- 4	2613259-3	. CLIP .025 2024 T42			02
- 5	2613259-5	. CLIP .025 2024 T42			01
6	2613259-4	. COVER FSO 2613259-8 REFER TO NOTE 2	0001	0561	NP
- 6A	2691034-12	. COVER REFER TO NOTE 2			01
- 6B	2613259-8	. COVER	0562	& ON	01
- 7	AN525-10R7	. SCREW			05
8	2611161-3	. ACCESS COVER .025 2024 T42			01
- 9	AN525-10R7	. SCREW			03
10	2611161-1	. ACCESS COVER ASSY .025 2024 T42			01
- 11	AN525-10R7	. SCREW			03
- 12	MS21047L3K	. NUTPLATE			01
13	2613173-1	. COVER .025 2024 T42			01
- 14	AN525-10R6	. SCREW			02
15	2611058-13	. ACCESS COVER .025 2024 T42			01
16	2611058-17	. ACCESS COVER .025 2024 T42			01
- 17	AN525-10R7	. SCREW			02
18	2611058-8	. ACCESS COVER REFER TO NOTE 1			01
- 19	AN525-10R7	. SCREW			04
20	2613248-1	. ACCESS COVER .025 2024 T3			01
- 21	AN525-10R7	. SCREW			03
22	2611058-24	. ACCESS COVER REFER TO NOTE 1			01
- 23	AN525-10R7	. SCREW			04
24	S1050-3	. GROMMET-3.50 IN LG BKI			01
25	2611058-7	. ACCESS COVER REFER TO NOTE 1			02
- 26	AN525-10R7	. SCREW			06
27	2611058-19	. ACCESS COVER-LH AND RH REFER TO NOTE 1 AND NOTE 3	0001	0109	02
- 27A	2615001-1	. ACCESS COVER ASSY-LH REFER TO NOTE 3 AND NOTE 4	0110	0651	01 R
- 27B	2615001-11	. ACCESS COVER ASSY-LH	0652	& ON	01 R
- 28	AN525-10R7	. SCREW			06
- 28A	NAS1149F0332P	. WASHER REFER TO NOTE 3			12
29	2611058-3	. ACCESS COVER REFER TO NOTE 1			01
- 30	AN525-10R7	. SCREW			08
31	2611058-6	. ACCESS COVER REFER TO NOTE 1			02
- 32	AN525-10R7	. SCREW			06
33	2611058-18	. ACCESS COVER-LH AND RH REFER TO NOTE 1 AND NOTE 3	0001	0109	02
- 33A	2615001-2	. ACCESS COVER ASSY-RH REFER TO NOTE 3 AND NOTE 4	0110	0651	01 R
- 33B	2615001-12	. ACCESS COVER ASSY-RH	0652	& ON	01 R
- 34	AN525-10R7	. SCREW			06
- 34A	NAS1149F0332P	. WASHER REFER TO NOTE 3			12
35	2611058-5	. ACCESS COVER REFER TO NOTE 1			01
- 36	AN525-10R7	. SCREW			08
37	2606033-20	. STIFFENER .10 4130 125K			04

NOTE 1—HEXPRES CRUSHED ALUMINUM HONEYCOMB ADHESIVELY BONDED BETWEEN 2024/T3 .016 FACING.

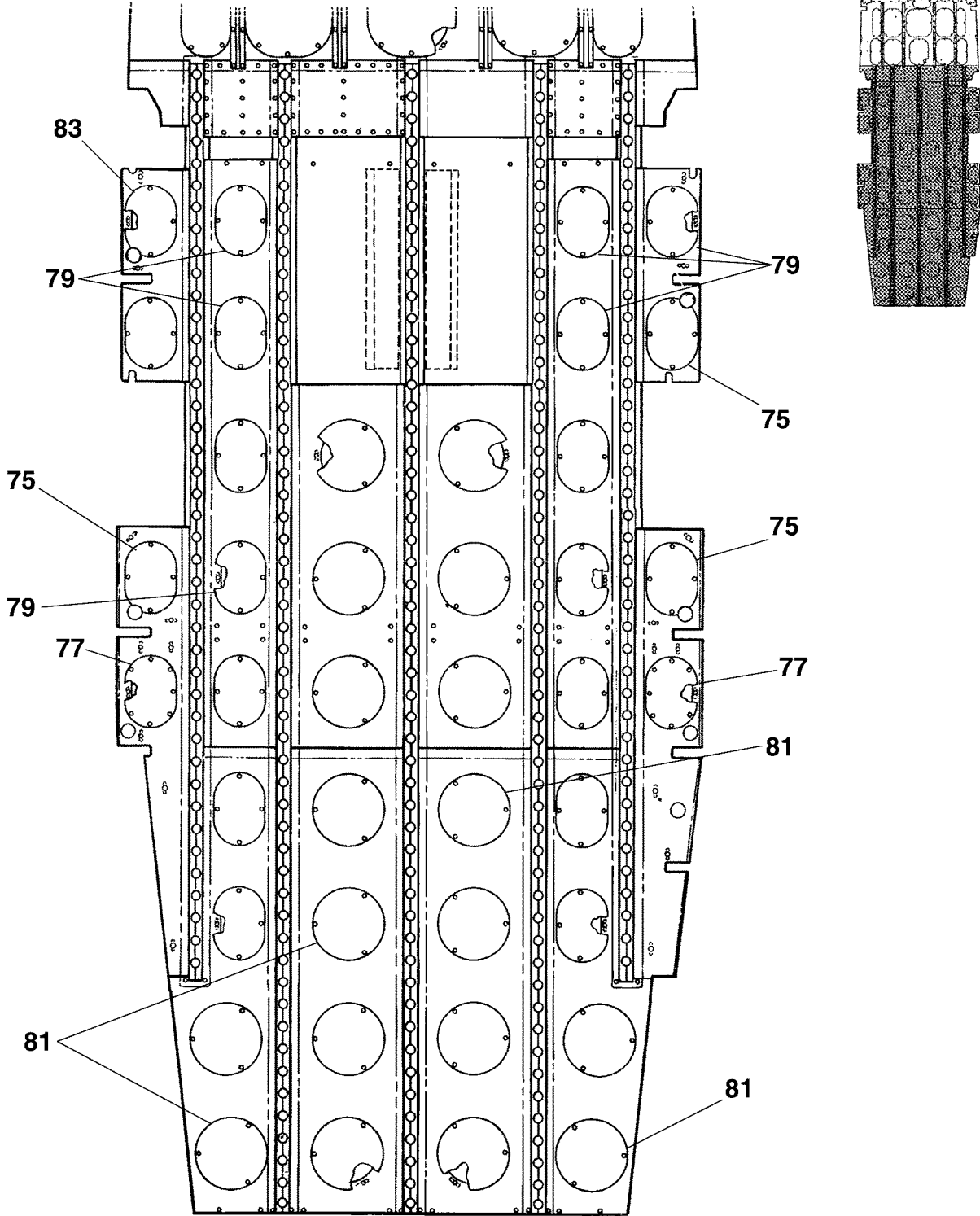
NOTE 2—AIRPLANES -0001 THRU -0546 INCORPORATING CAB-32-01.

NOTE 3—AIRPLANES -0110 & ON AND AIRPLANES -0001 THRU -0109 INCORPORATING CAB87-18.

NOTE 4—ONE 2615001-1 OR 2615001-2 DUAL PANELS WILL REPLACE 1 SET OF THE 2611058-19 AND 2611058-18 PANELS

CESSNA®
MODEL 208
ILLUSTRATED PARTS CATALOG

A24698



FLOORBOARD ACCESS PANELS
FIGURE 01 (SHEET 2)

2611M4009
26114005

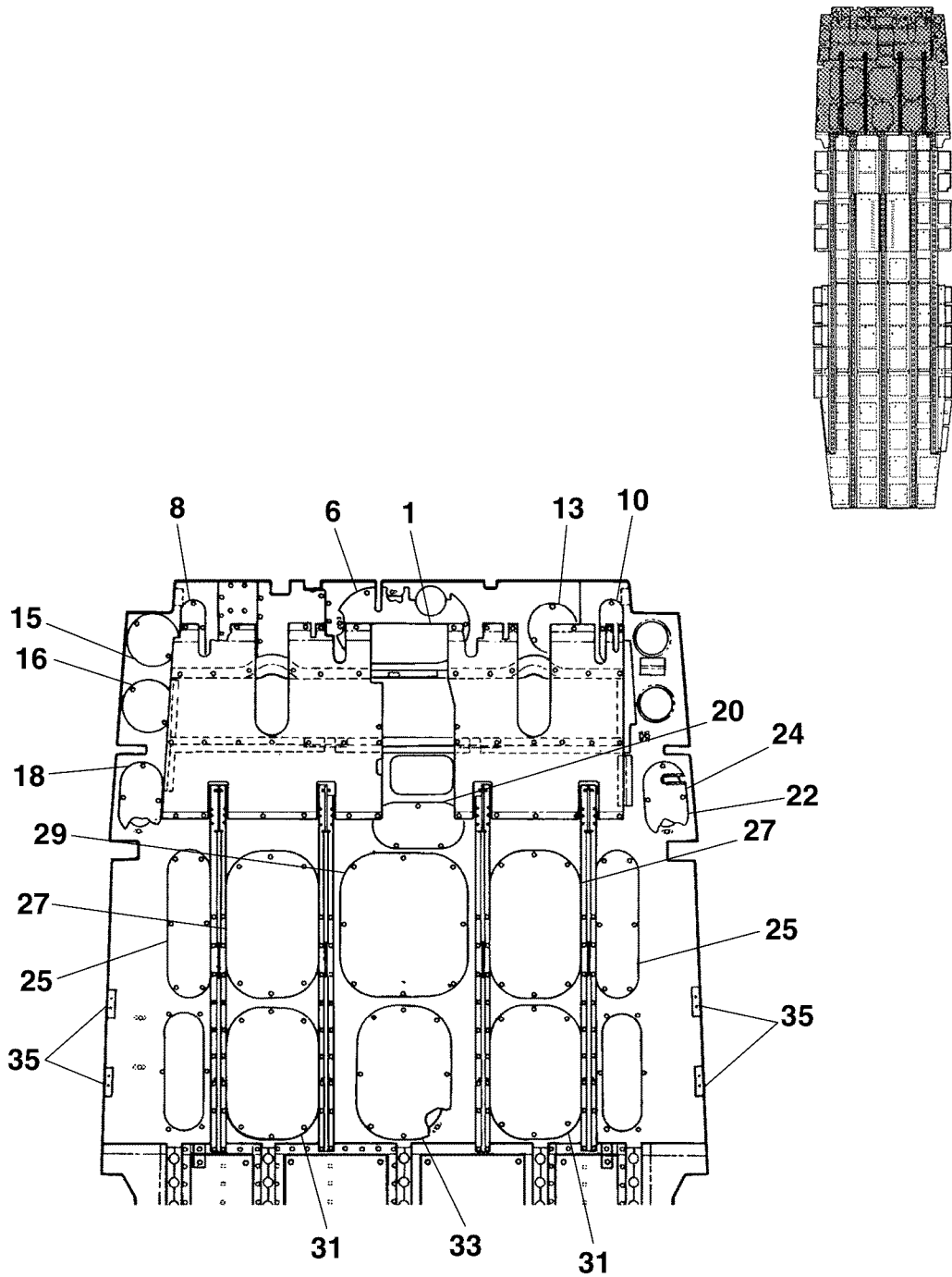
CESSNA®
MODEL 208
 ILLUSTRATED PARTS CATALOG

FIG ITEM	PART NUMBER	NOMENCLATURE							UNITS PER ASSY		
		1	2	3	4	5	6	7			
01											
75	2611058-16	.									01
- 76	AN525-10R7	.									04
77	2611058-15	.									02
- 78	AN525-10R7	.									08
79	2611058-1	.									19
- 80	AN525-10R7	.									04
81	2611058-2	.									18
- 82	AN525-10R7	.									03
83	2611058-22	.							0070	0517	01
- 83A	2611058-25	.							0518	& ON	01
- 84	AN525-10R7	.									04

NOTE 1—HEXPRES CRUSHED ALUMINUM HONEYCOMB ADHESIVELY BONDED BETWEEN 2024/T3 .016 FACING.

CESSNA®
MODEL 208
ILLUSTRATED PARTS CATALOG

A24699



2611M4006
26114003

FLOORBOARD ACCESS PANELS - NOT APPLICABLE TO PASSENGER VERSION
FIGURE 02 (SHEET 1)

CESSNA®
MODEL 208
ILLUSTRATED PARTS CATALOG

FIG ITEM	PART NUMBER	NOMENCLATURE	UNITS PER ASSY		
			1	2	3
02		FLOORBOARD ACCESS PANELS - NOT APPLICABLE TO PASSENGER	B0001	& ON	RF
-		VERSION			
1	2613259-1	. ACCESS COVER ASSY FSO 2613259-6 REFER TO NOTE 2	B0001	B5127	NP
- 1A	2691034-10	. ACCESS COVER ASSY REFER TO NOTE 2			01
- 1B	2613259-6	. ACCESS COVER ASSY	B5128	& ON	01
- 2	AN525-10R7	. SCREW-ACCESS COVER ASSY ATTACH			02
- 3	MS21047L3	. NUTPLATE			02
- 4	2613259-3	. CLIP .025 2024 T42			02
- 5	2613259-5	. CLIP .025 2024 T42			01
6	2613259-4	. COVER-ACCESS FSO 2613259-8 REFER TO NOTE 2	B0001	B5127	NP
- 6A	2691034-12	. COVER REFER TO NOTE 2			01
- 6B	2613259-8	. COVER	B5128	& ON	01
- 7	AN525-10R7	. SCREW-COVER ATTACH			05
8	2611161-3	. COVER-ACCESS .025 2024 T3			01
- 9	AN525-10R7	. SCREW COVER-ACCESS ATTACH			03
10	2611161-1	. COVER ASSY-ACCESS .025 2024 T3			01
- 11	AN525-10R7	. SCREW-COVER ASSY-ACCESS ATTACH			03
- 12	MS21047L3K	. NUTPLATE			01
13	2613173-1	. COVER-ACCESS .025 2024 T3			01
- 14	AN525-10R6	. SCREW-COVER-ACCESS ATTACH			02
15	2611058-13	. COVER-ACCESS .025 2024 T3			01
16	2611058-17	. COVER-ACCESS .025 2024 T3			01
- 17	AN525-10R7	. SCREW-COVER-ACCESS ATTACH			02
18	2611058-8	. COVER-ACCESS REFER TO NOTE 1			01
- 19	AN525-10R7	. SCREW-COVER-ACCESS ATTACH			04
20	2613248-1	. COVER-ACCESS .025 2024 T3			01
- 21	AN525-10R7	. SCREW-COVER-ACCESS ATTACH			03
22	2611058-21	. COVER-ACCESS REFER TO NOTE 1			01
- 23	AN525-10R7	. SCREW-COVER-ACCESS ATTACH			04
24	S1050-3	. GROMMET-3.5 IN LG BKI			01
25	2611058-7	. COVER-ACCESS REFER TO NOTE 1			04
- 26	AN525-10R7	. SCREW-COVER-ACCESS ATTACH			06
27	2611058-19	. COVER-ACCESS REFER TO NOTE 1	B0001	B0013	02
- 27A	2615001-1	. ACCESS COVER ASSY LH-REFER TO NOTE 3 AND NOTE 4	B0014	B5501	01 R
- 27B	2615001-11	. ACCESS COVER ASSY -LH	B5502	& ON	01 R
- 28	AN525-10R7	. SCREW-ACCESS COVER ASSY LH ATTACH			12
- 28A	NAS1149F0332P	. WASHER-ACCESS COVER ASSY LH ATTACH			12
29	2611058-3	. COVER-ACCESS REFER TO NOTE 1			01
- 30	AN525-10R7	. SCREW-COVER-ACCESS ATTACH			08
31	2611058-23	. COVER-ACCESS REFER TO NOTE 1	B0001	B0013	02
- 31A	2615001-2	. ACCESS COVER ASSY RH-REFER TO NOTE 3 AND NOTE 4	B0014	B5501	01 R
- 31B	2615001-12	. ACCESS COVER ASSY -RH	B5502	& ON	01 R
- 32	AN525-10R7	. SCREW-ACCESS COVER ASSY RH ATTACH			12
- 32A	NAS1149F0332P	. WASHER-ACCESS COVER ASSY RH ATTACH			12
33	2611058-5	. COVER-ACCESS REFER TO NOTE 1			01
- 34	AN525-10R7	. SCREW-COVER-ACCESS ATTACH			08
35	2606033-20	. STIFFENER .100 4130 125KSI			04

NOTE 1—HEXPRES CRUSHED ALUMINUM HONEYCOMB ADHESIVELY BONDED BETWEEN 2024/T3 .016 FACING.

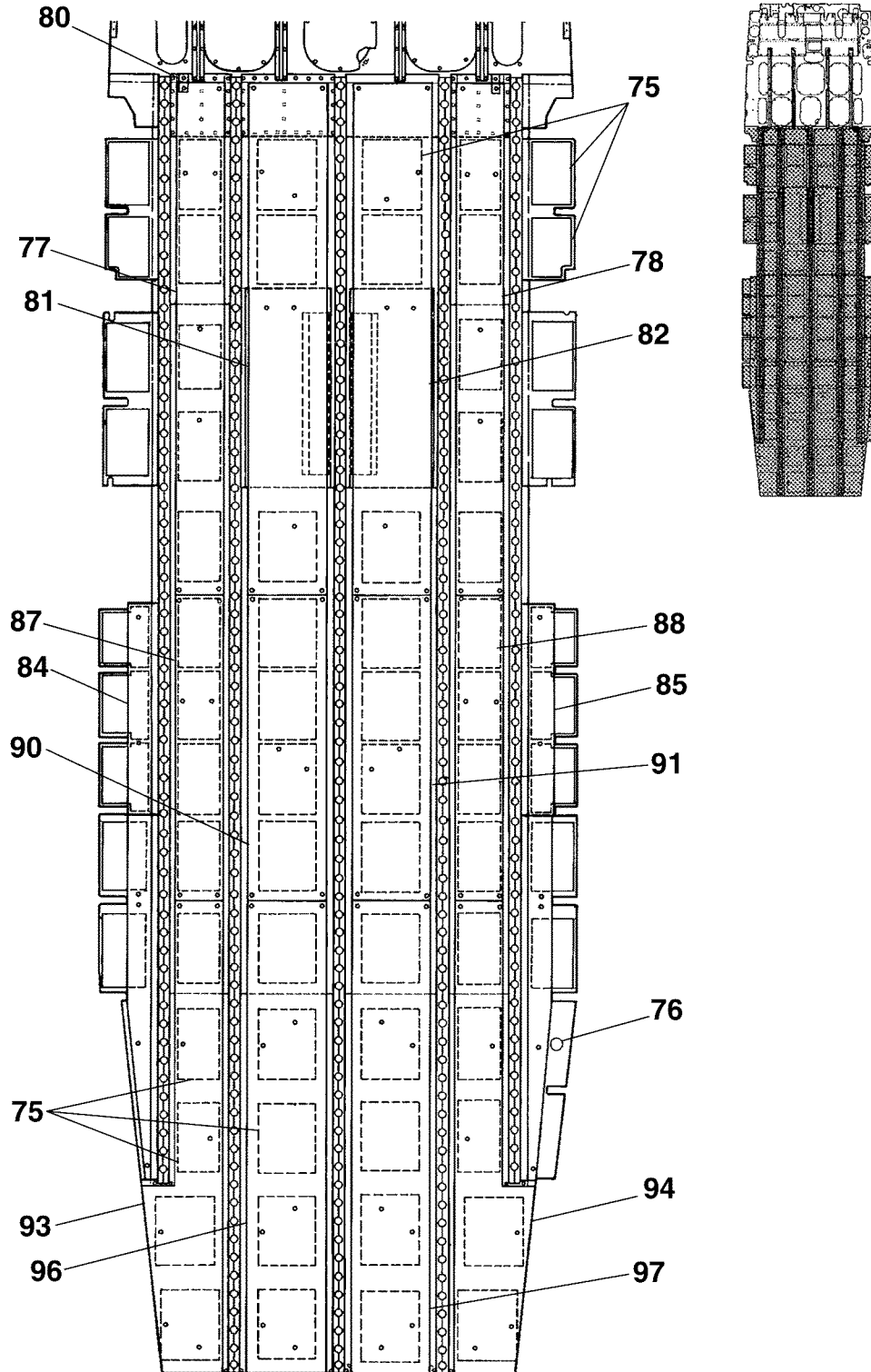
NOTE 2—AIRPLANES -B0001 THRU -B4999 INCORPORATING CAB-32-01.

NOTE 3—AIRPLANES -B0014 & ON AND AIRPLANES -B0001 THRU -B0113 INCORPORATING CAB87-18.

NOTE 4—ONE 2615001-1 OR 2615001-2 DUAL PANELS WILL REPLACE 1 SET OF THE 2611058-19 AND 2611058-18 PANELS

CESSNA®
MODEL 208
ILLUSTRATED PARTS CATALOG

A24700



2611M4007
26114003

FLOORBOARD ACCESS PANELS - NOT APPLICABLE TO PASSENGER VERSION
FIGURE 02 (SHEET 2)

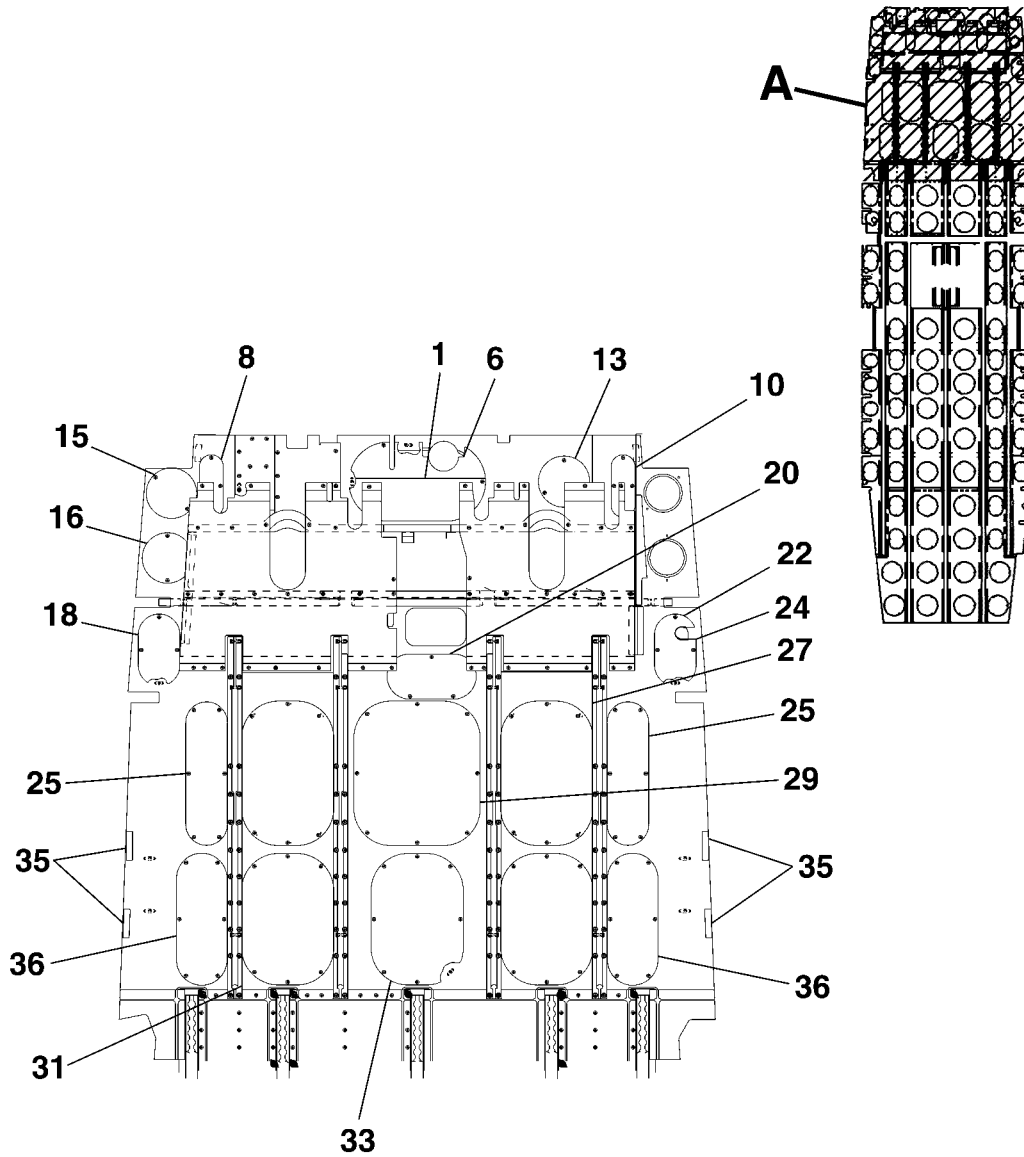
CESSNA®
MODEL 208
 ILLUSTRATED PARTS CATALOG

FIG ITEM	PART NUMBER	NOMENCLATURE	UNITS
			PER ASSY
		1 2 3 4 5 6 7	
02			
75	2601116-7	. COVER-ACCESS SPEED TAPE	70
76	2601116-6	. COVER-ACCESS SPEED TAPE	01
77	2615051-23	. COVER-FLOORING LH-OUTBD FWD .375 PLYWOOD	01
78	2615051-24	. COVER-FLOORING RH-OUTBD FWD .375 PLYWOOD ATTACHING PARTS	01
- 79	AN525-10R12	. SCREW	06
80	2615086-1	. RETAINER-FLOOR COVERING .050 4130 90K *—	01
81	2615051-25	. COVER-FLOORING LH-INBD FWD .375 PLYWOOD	01
82	2615051-26	. COVER-FLOORING RH-INBD FWD .375 PLYWOOD ATTACHING PARTS	01
- 83	AN525-10R12	. SCREW *—	07
84	2615051-21	. COVER-FLOORING LH-OUTBD CTR .375 PLYWOOD	01
85	2615051-22	. COVER-FLOORING LH-OUTBD CTR .375 PLYWOOD ATTACHING PARTS	01
- 86	AN525-10R12	. SCREW *—	06
87	2615051-19	. COVER-FLOORING LH-CTR .375 PLYWOOD	01
88	2615051-20	. COVER-FLOORING RH-CTR .375 PLYWOOD ATTACHING PARTS	01
- 89	AN525-10R12	. SCREW *—	06
90	2615051-17	. COVER-FLOORING LH-INBD CTR .375 PLYWOOD	01
91	2615051-18	. COVER-FLOORING RH-INBD CTR .375 PLYWOOD ATTACHING PARTS	01
- 92	AN525-10R12	. SCREW *—	06
93	2615051-29	. COVER-FLOORING LH-OUTBD AFT .375 PLYWOOD	01
94	2615051-30	. COVER-FLOORING RH-OUTBD AFT .375 PLYWOOD ATTACHING PARTS	01
- 95	AN525-10R12	. SCREW *—	07
96	2615051-27	. COVER-FLOORING LH-INBD AFT .375 PLYWOOD	01
97	2615051-28	. COVER-FLOORING RH-INBD AFT .375 PLYWOOD ATTACHING PARTS	01
- 98	AN525-10R12	. SCREW *—	08

- ITEM NOT ILLUSTRATED

CESSNA®
MODEL 208
ILLUSTRATED PARTS CATALOG

A24701



DETAIL A

FLOORBOARD ACCESS PANELS - PASSENGER VERSION
FIGURE 03 (SHEET 1)

2611T1016
A2611T1016

CESSNA®
MODEL 208
ILLUSTRATED PARTS CATALOG

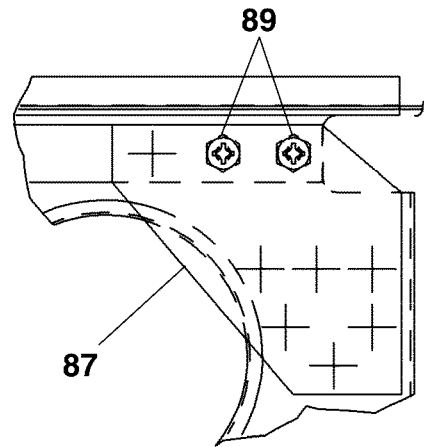
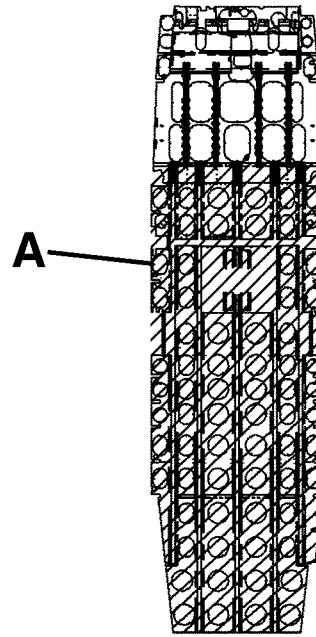
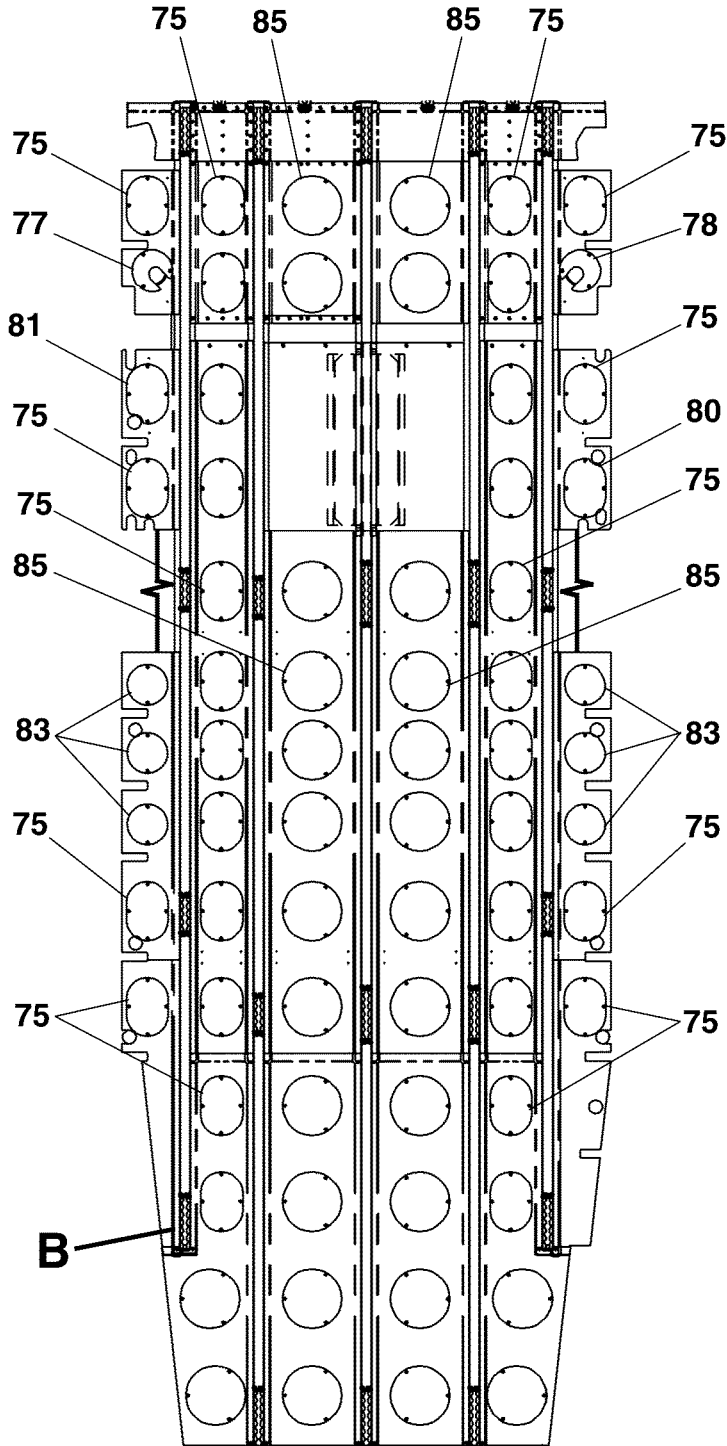
FIG ITEM	PART NUMBER	NOMENCLATURE	UNITS	
			PER ASSY	
03		FLOORBOARD ACCESS PANELS - PASSENGER VERSION		
-			B0214	& ON RF
1	2613259-1	. COVER ASSY-ACCESS FSO 2613259-6	B0214	B5127 NP
- 1A	2691034-10	. COVER ASSY-ACCESS		01
- 1B	2613259-6	. COVER ASSY-ACCESS	B5128	& ON 01
- 2	AN525-10R7	. SCREW-COVER ASSY-ACCESS ATTACH		02
- 3	MS21047L3	. NUTPLATE		02
- 4	2613259-3	. CLIP .025 2024 T42		02
- 5	2613259-5	. CLIP .025 2024 T42		01
6	2613259-4	. COVER-ACCESS FSO 2613259-8 REFER TO NOTE 2	B0214	B5127 NP
- 6A	2691034-12	. COVER REFER TO NOTE 2		01
- 6B	2613259-8	. COVER	B5128	& ON 01
- 7	AN525-10R7	. SCREW-COVER ATTACH		05
8	2611161-3	. COVER-ACCESS .025 2024 T3		01
- 9	AN525-10R7	. SCREW-COVER-ACCESS ATTACH		03
10	2611161-1	. COVER ASSY-ACCESS .025 2024 T3		01
- 11	AN525-10R7	. SCREW-COVER ASSY-ACCESS ATTACH		04
- 12	MS21047L3K	. NUTPLATE		01
13	2613173-1	. COVER-ACCESS .025 2024 T3		01
- 14	AN525-10R6	. SCREW-COVER-ACCESS ATTACH		02
15	2611058-13	. COVER-ACCESS .025 2024 T3		01
16	2611058-17	. COVER-ACCESS .025 2024 T3		01
- 17	AN525-10R7	. SCREW-COVER-ACCESS ATTACH		02
18	2611058-8	. COVER-ACCESS REFER TO NOTE 1		01
- 19	AN525-10R7	. SCREW-COVER-ACCESS ATTACH		04
20	2613248-1	. COVER-ACCESS .025 2024 T3		01
- 21	AN525-10R7	. SCREW-COVER-ACCESS ATTACH		03
22	2611058-21	. COVER-ACCESS REFER TO NOTE 1		01
- 23	AN525-10R7	. SCREW-COVER-ACCESS ATTACH		04
24	S1050-3	. GROMMET-3.50 IN LG BKI		01
25	2611058-7	. COVER-ACCESS REFER TO NOTE 1		02
- 26	AN525-10R7	. SCREW-COVER-ACCESS ATTACH		06
27	2615001-1	. ACCESS COVER ASSY LH	B0214	B5501 01 R
- 27A	2615001-11	. ACCESS COVER ASSY -LH	B5502	& ON 01 R
- 28	AN525-10R7	. SCREW-COVER-ACCESS ATTACH		12
- 28A	NAS1149F0332P	. WASHER-COVER-ACCESS ATTACH		12
29	2611058-3	. COVER-ACCESS REFER TO NOTE 1		01
- 30	AN525-10R7	. SCREW-COVER-ACCESS ATTACH		08
31	2615001-2	. ACCESS COVER ASSY RH	B0214	B5501 01 R
- 31A	2615001-12	. ACCESS COVER ASSY -RH	B5502	& ON 01 R
- 32	AN525-10R7	. SCREW-COVER-ACCESS ATTACH		12
- 32A	NAS1149F0332P	. WASHER-COVER-ACCESS ATTACH		12
33	2611058-5	. COVER-ACCESS REFER TO NOTE 1		01
- 34	AN525-10R7	. SCREW-COVER-ACCESS ATTACH		08
35	2606033-20	. STIFFENER .100 4130 125KSI		04
36	2611058-6	. COVER-ACCESS REFER TO NOTE 1		01
- 37	AN525-10R7	. SCREW-COVER-ACCESS ATTACH		06

NOTE 1—HEXPRES CRUSHED ALUMINUM HONEYCOMB ADHESIVELY BONDED BETWEEN 2024/T3 .016 FACING.

NOTE 2—AIRPLANES -B0001 THRU -B4999 INCORPORATING CAB-32-01.

CESSNA®
MODEL 208
 ILLUSTRATED PARTS CATALOG

A24702



DETAIL B

DETAIL A

FLOORBOARD ACCESS PANELS - PASSENGER VERSION
 FIGURE 03 (SHEET 2)

2611T1016
 A2611T1016
 B2611T1017

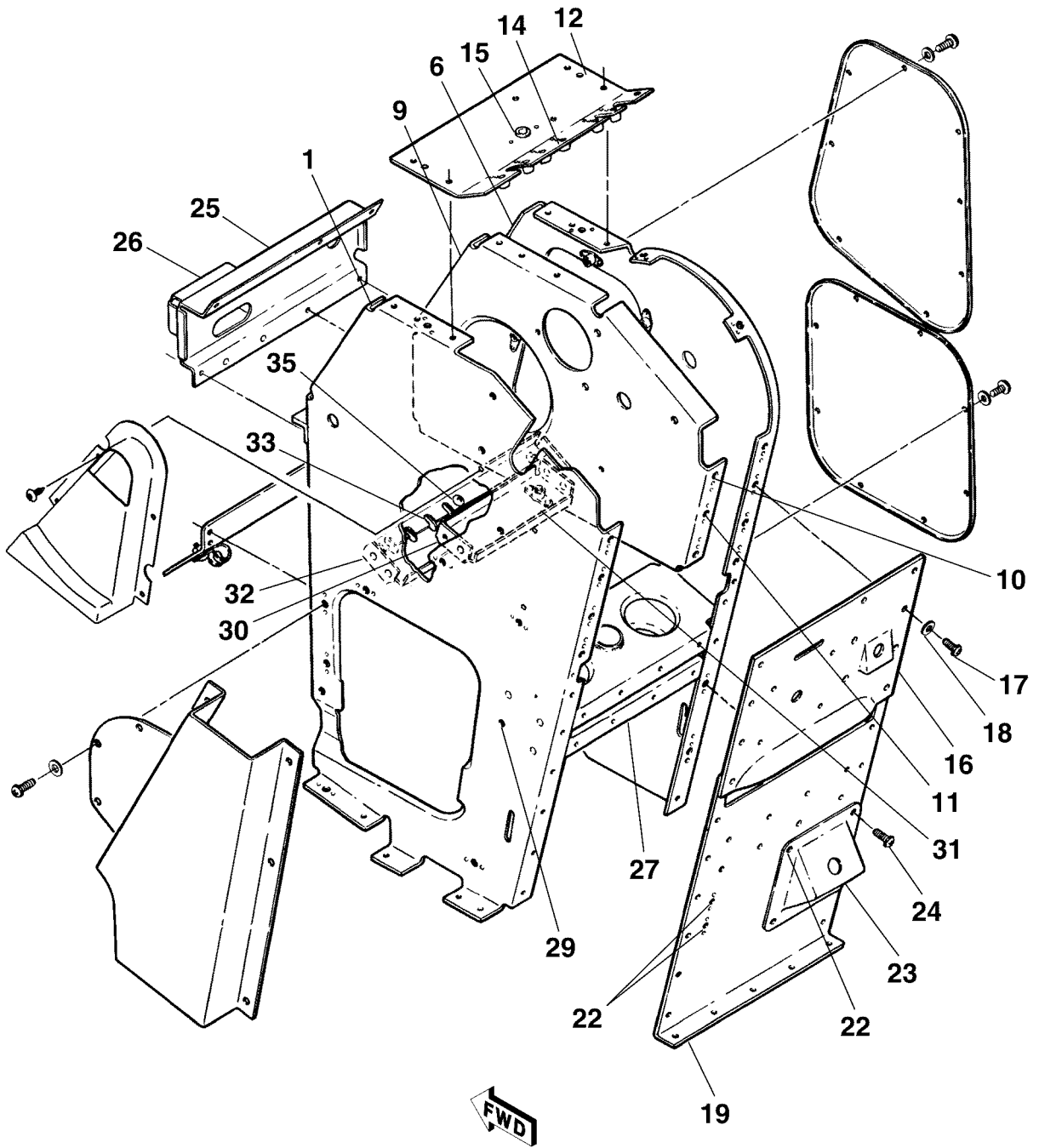
CESSNA®
MODEL 208
 ILLUSTRATED PARTS CATALOG

FIG ITEM	PART NUMBER	1 2 3 4 5 6 7	NOMENCLATURE	UNITS PER ASSY	
03					
75	2611058-1		. COVER-ACCESS REFER TO NOTE 1 ATTACHING PARTS		32
- 76	AN525-10R7		. SCREW —*—		04
77	2613173-2		. COVER-ACCESS .025 2024 T3		01
78	2613173-3		. COVER-ACCESS .025 2024 T3 ATTACHING PARTS		01
- 79	AN525-10R7		. SCREW —*—		04
80	2611058-16		. ACCESS COVER REFER TO NOTE 1		01
81	2611058-22		. ACCESS COVER REFER TO NOTE 1	B0214 B2255	01
- 81A	2611058-26		. ACCESS COVER ATTACHING PARTS	B2256 & ON	01
- 82	AN525-10R7		. SCREW —*—		04
83	2611058-13		. COVER-ACCESS .025 2024 T3 ATTACHING PARTS		06
- 84	AN525-10R7		. SCREW —*—		02
85	2611058-2		. COVER-ACCESS REFER TO NOTE 1 ATTACHING PARTS		28
- 86	AN525-10R7		. SCREW —*—		03
87	2611192-3		. DOUBLER BL 23.50 .040 2024 T3		02
- 88	2611192-4		. DOUBLER CTR LINE & BL 14.00 .040 2024 T3 ATTACHING PARTS		03
89	MS27039-0809		. SCREW		02
- 90	NAS1149FN832P		. WASHER		02
- 91	MS21044N08		. NUT —*—		02

NOTE 1—HEXPRES CRUSHED ALUMINUM HONEYCOMB ADHESIVELY BONDED BETWEEN 2024/T3 .016 FACING.

CESSNA®
MODEL 208
ILLUSTRATED PARTS CATALOG

A24703



PEDESTAL STRUCTURE
FIGURE 01 (SHEET 1)

2611R3013

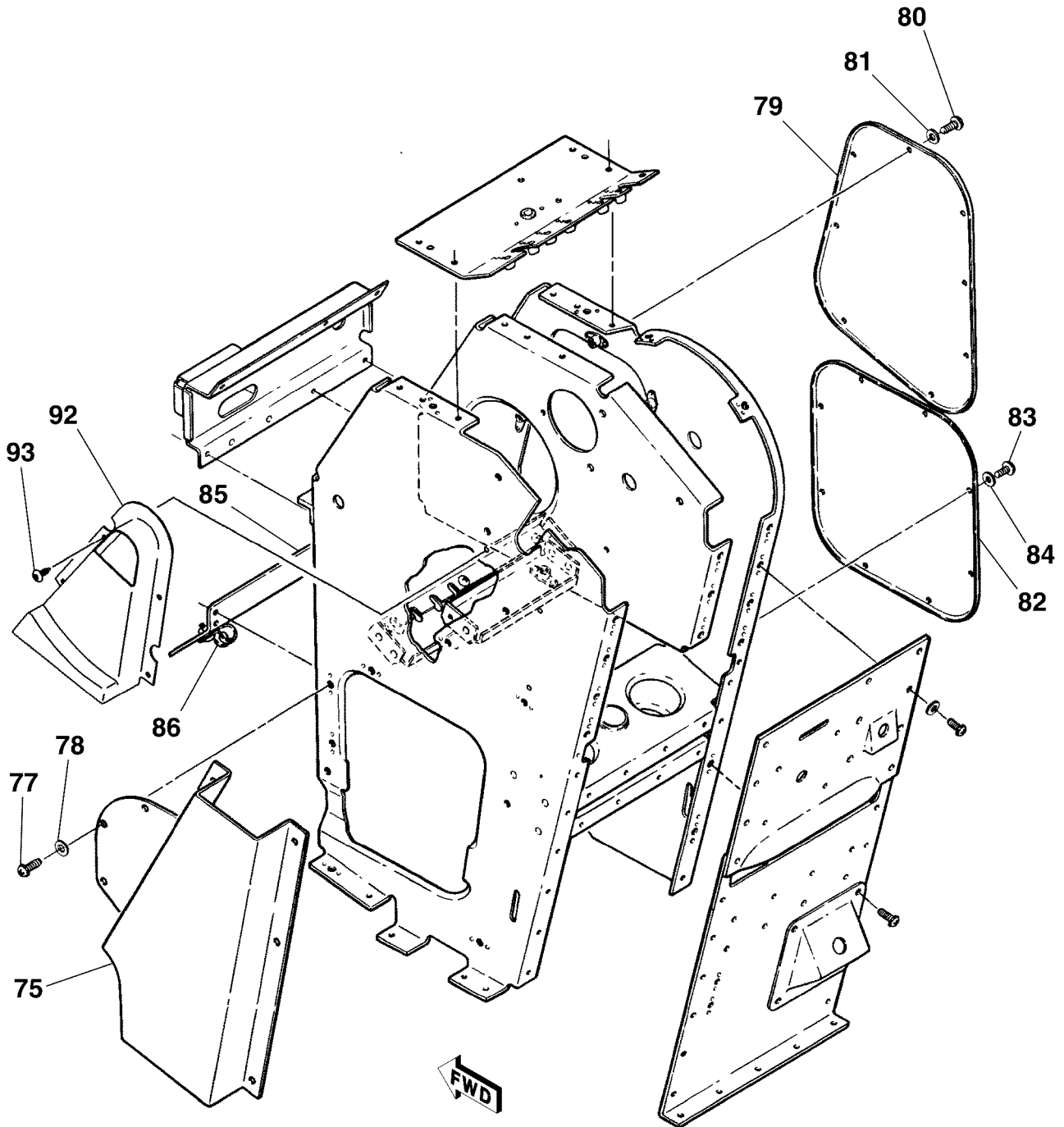
CESSNA®
MODEL 208
ILLUSTRATED PARTS CATALOG

FIG ITEM	PART NUMBER	NOMENCLATURE	UNITS PER ASSY		
			1	2	3
01		PEDESTAL STRUCTURE	0001	& ON	RF
-			B0001	B4999	
1	2613247-3	. PANEL ASSY-LH FSO 2613247-201	0001	0160	NP
			B0001	B0189	
- 2	2613247-5	. PANEL ASSY-LH FSO 2613247-201	0161	0237	NP
			B0190	B0396	
- 3	2613247-7	. PANEL ASSY-LH .032 2024 T42 FSO 2613247-201	0238	0569	NP R
			B0397	B4999	
- 4	2613247-11	. PANEL ASSY-LH .032 2024 T42	0570	& ON	01 R
- 5	2613247-201	. PANEL ASSY-LH FOR SPARES ONLY	0001	0569	01 R
			B0001	B4999	
6	2613247-1	. PANEL ASSY-RH .032 2024 T3 FSO 2613247-200	0001	0569	NP R
			B0001	B4999	
- 6A	2613247-9	. PANEL ASSY-RH .032 2024 T3	0570	& ON	NP R
- 7	2613247-200	. PANEL ASSY-RH FOR SPARES ONLY	0001	& ON	01
			B0001	B4999	
- 8		. DELETED-NOT USED			
9	2613010-11	. SUPPORT ASSY .032 2024 T3			01
10	NAS682A08K	. NUTPLATE			02
11	MS21047L08K	. NUTPLATE			01
12	2613010-16	. COVER ASSY-TOP FSO 2613010-21	0001	0200	NP
			B0001	B0255	
- 13	2613010-21	. COVER ASSY-TOP .032 2024 T3	0201	& ON	01
			B0256	& ON	
14	MS21071L08K	. NUTPLATE			06
15	MS35489-4	. GROMMET			01
16	2613270-8	. COVER ASSY-UPPER FRONT .032 2024 T42			01
17	AN525-832R6	. SCREW			08
18	NAS1149FN816P	. WASHER			08
19	2613270-5	. COVER ASSY-LWR FRONT .032 2024 T3	0001	0395	01
			B0001	B1170	
- 20	2613270-10	. COVER ASSY-LWR FRONT .032 2024 T3	0396	0499	01
			B1171	B1999	
- 21	2613270-12	. COVER ASSY-LWR FRONT .032 2024 T3	0500	& ON	01
			B2000	& ON	
22	MS21047L06	. NUTPLATE			04
23	2613307-4	. SUPPORT ASSY-CABIN HEAT .040 6061			01
24	MS35206-230	. SCREW			04
25	2613266-1	. BRACKET .032 2024 T42 FSO 2613506-1	0001	0569	01
			B0001	B4999	
- 25A	2613506-1	. BRACKET ASSY	0570	& ON	01
- 25B	MS21051L08K	. NUTPLATE	0570	& ON	04
26	2613265-1	. BRACKET .040 2024 T42			01
27	2613251-1	. SUPPORT ASSY FSO 2613251-6	0001	0029	NP
- 28	2613251-6	. SUPPORT ASSY	0030	& ON	01
			B0001	& ON	
29	MS21047L3	. NUTPLATE			01
30	2613280-1	. SUPPORT ASSY .032 2024 T42			01
31	MS21047L3	. NUTPLATE			01
32	2613252-1	. SUPPORT-ENGINE CONTROLS .063 2024 T42			01
33	2613252-2	. RETAINER-ENGINE CONTROLS FSO 2613252-3	0001	0029	NP
- 34	2613252-3	. RETAINER-ENGINE CONTROLS S85	0030	& ON	01
			B0001	& ON	
		ATTACHING PARTS			
35	MS35207-263	. SCREW			03
- 36	MS21044N3	. NUT			03
		—*—			

- ITEM NOT ILLUSTRATED

CESSNA®
MODEL 208
ILLUSTRATED PARTS CATALOG

A24704



26113013

PEDESTAL STRUCTURE
FIGURE 01 (SHEET 2)

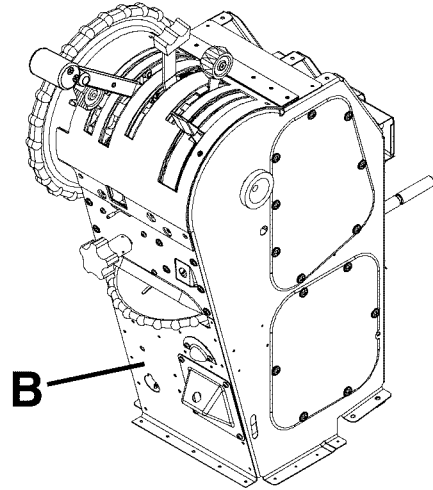
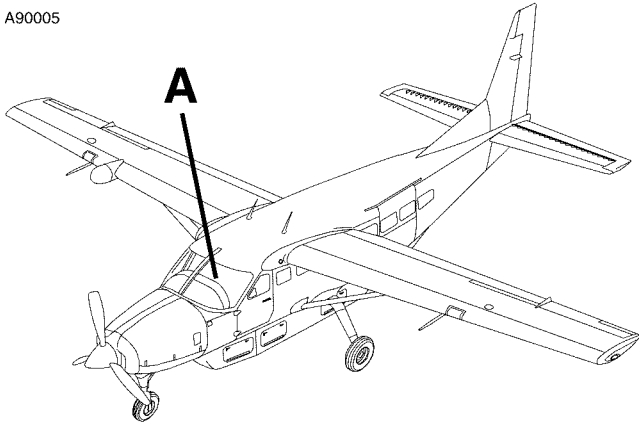
CESSNA®
MODEL 208
ILLUSTRATED PARTS CATALOG

FIG ITEM	PART NUMBER	1 2 3 4 5 6 7	NOMENCLATURE	UNITS PER ASSY		
01						
75	2613324-2	.	COVER-CHAIN GUARD FSO 2613324-3	0001	0160	NP
				B0001	B0189	
- 76	2613324-3	.	COVER-CHAIN GUARD .032 2024 T3	0161	& ON	01
				B0190	& ON	
			ATTACHING PARTS			
77	MS35207-262	.	SCREW			07
78	NAS1149F0332P	.	WASHER			07
			—*—			
79	2613010-19	.	COVER-UPR RH .020 2024 T3			01
			ATTACHING PARTS			
80	AN525-10R6	.	SCREW			08
81	NAS1149F0332P	.	WASHER			08
			—*—			
82	2613010-18	.	COVER-LWR RH .020 2024 T3			01
			ATTACHING PARTS			
83	AN525-10R6	.	SCREW			08
84	NAS1149F0332P	.	WASHER			08
			—*—			
85	2613010-15	.	SUPPORT .040 2024 T3			01
86	MS21919DG10	.	CLAMP	0001	0277	NP
				B0001	B0305	
- 87	MS21919WDG12	.	CLAMP	0218	0224	NP
				B0306	B0330	
- 88	MS21919WDG14	.	CLAMP	0225	& ON	01
				B0331	& ON	
			ATTACHING PARTS			
- 89	MS35207-262	.	SCREW			01
- 90	NAS1149F0332P	.	WASHER			01
- 91	MS21044N3	.	NUT			01
			—*—			
92	2613461-1	.	COVER-CHAIN REFER TO NOTE 1	0238	0564	01
				B0397	& ON	
- 92A	2613461-2	.	COVER-CHAIN	0565	& ON	01
			ATTACHING PARTS			
93	S1021A8-6	.	SCREW REFER TO NOTE 1	0238	& ON	04
				B0397	& ON	
			—*—			

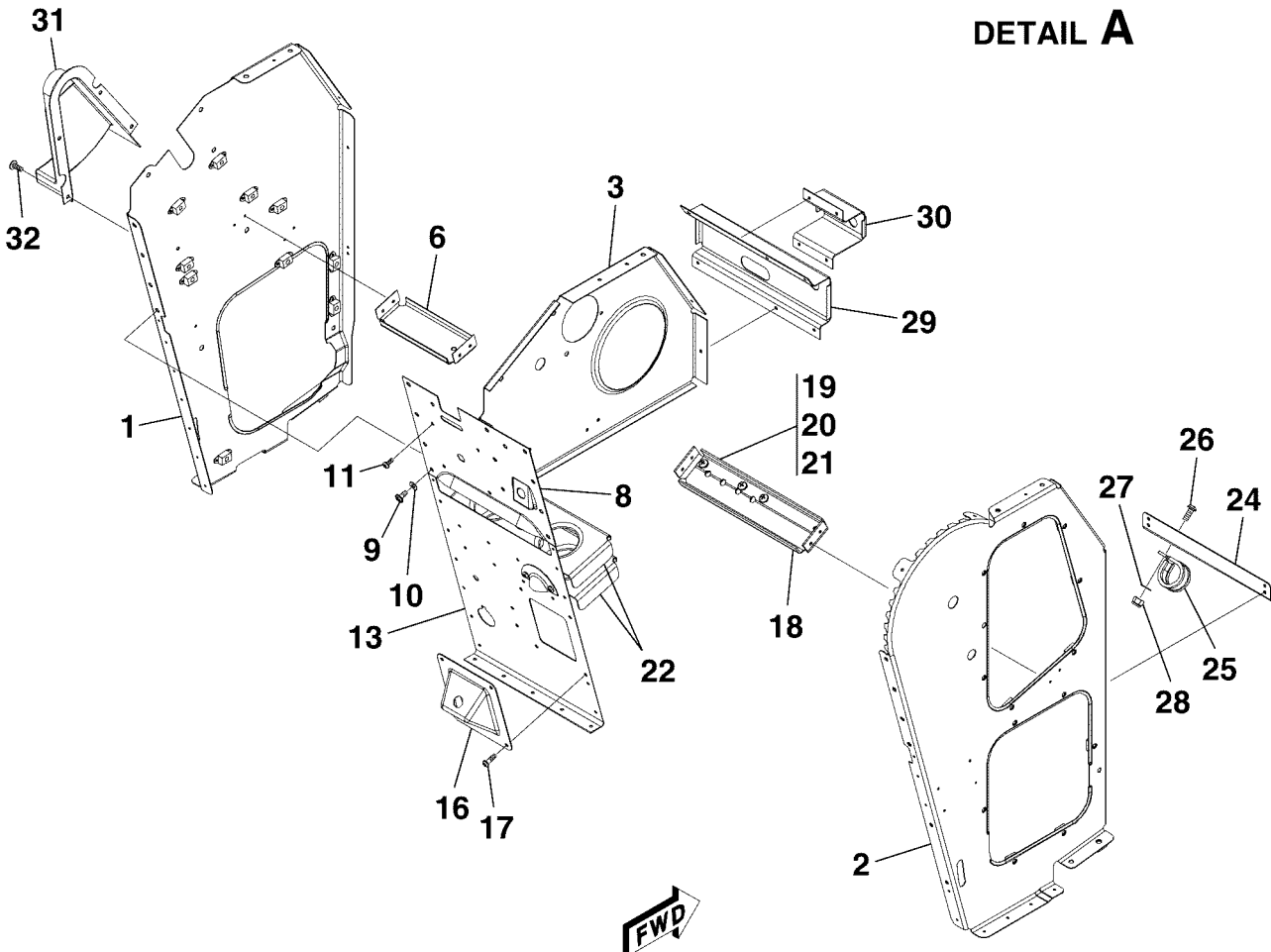
NOTE 1—AIRPLANES -0238 & -0564 AND -B0397 & ON, AND -0001 THRU -0237 AND -B0001 THRU -B0396 INCORPORATING SK208-118.

CESSNA®
MODEL 208
ILLUSTRATED PARTS CATALOG

A90005



DETAIL A



DETAIL B

PEDESTAL STRUCTURE
FIGURE 02 (SHEET 1)

2610T7004
A2613T1025
B2613T1025

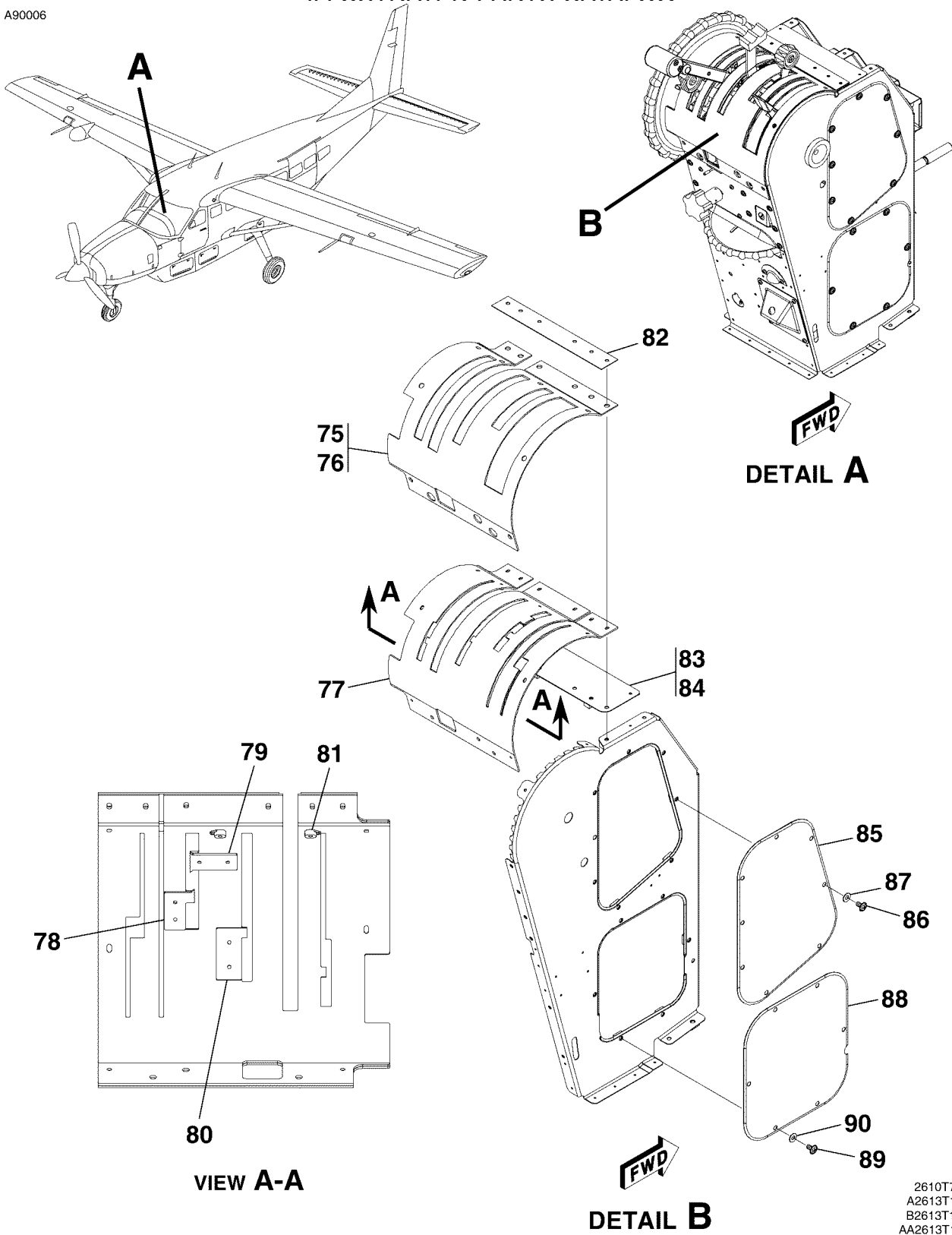
CESSNA®
MODEL 208
 ILLUSTRATED PARTS CATALOG

FIG ITEM	PART NUMBER	NOMENCLATURE	UNITS PER ASSY		
			1	2	3
02		PEDESTAL STRUCTURE	B5000	& ON	RF
-					
1	2613487-3	. PANEL ASSY-LH	B5000	B5144	01
- 1A	2613487-6	. PANEL ASSY-LH	B5145	B5184	01 R
- 1B	2613487-10	. PANEL ASSY-LH	B5185	& ON	01 R
2	2613487-1	. PANEL ASSY-RH	B5000	B5144	01
- 2A	2613487-5	. PANEL ASSY-RH	B5145	B5184	01 R
- 2B	2613487-8	. PANEL ASSY-RH	B5184	& ON	01 R
3	2613010-11	. SUPPORT ASSY			01
- 4	MS21061L08K	. NUTPLATE			01
- 5	NAS682A08K	. NUTPLATE			02
6	2613280-1	. SUPPORT ASSY			01
- 7	MS21047L3	. NUTPLATE			01
8	2613278-1	. COVER ASSY-UPPER PEDESTAL FRONT			01
		ATTACHING PARTS			
9	AN525-832R6	. SCREW			08
10	NAS1149FN816P	. WASHER			08
11	MS35206-227	. SCREW			04
- 12	MS21061L08K	. NUTPLATE			02
		—*—			
13	2613275-1	. COVER ASSY-LOWER			01
- 14	MS21047L06	. NUTPLATE			04
- 15	MS21073-06	. NUTPLATE			02
16	2613307-4	. SUPPORT ASSY			01
		ATTACHING PARTS			
17	MS3506-230	. SCREW	B5000	B5184	06 R
- 17A	MS3506-230	. SCREW	B5185	& ON	04 R
		—*—			
18	2613252-1	. SUPPORT			01
19	2613252-3	. RETAINER			01
		ATTACHING PARTS			
20	MS35207-263	. SCREW			03
21	MS21044N3	. NUT			03
		—*—			
22	2613255-1	. SUPPORT ASSY-RUDDER TRIM			01
- 23	MS21047L3	. NUTPLATE			01
24	2613010-15	. SUPPORT			01
		ATTACHING PARTS			
25	MS21919WDG14	. CLAMP			01
26	MS35207-263	. SCREW			01
27	NAS1149F0332P	. WASHER			01
28	MS21044N3	. NUT			01
		—*—			
29	2613266-1	. BRACKET FSO 2613506-1	B5000	B5184	NP
- 29A	2613506-1	. BRACKET ASSY	B5185	& ON	01
- 29B	MS21051L08K	. NUTPLATE	B5185	& ON	04
30	2613265-1	. BRACKET			01
31	2613461-2	. CHAIN GUARD			01
		ATTACHING PARTS			
32	AN525-832R7	. SCREW			04
		—*—			

- ITEM NOT ILLUSTRATED

CESSNA®
MODEL 208
 ILLUSTRATED PARTS CATALOG

A90006



PEDESTAL STRUCTURE
 FIGURE 02 (SHEET 2)

2610T7004
 A2613T1025
 B2613T1025
 AA2613T1025

CESSNA®
MODEL 208
 ILLUSTRATED PARTS CATALOG

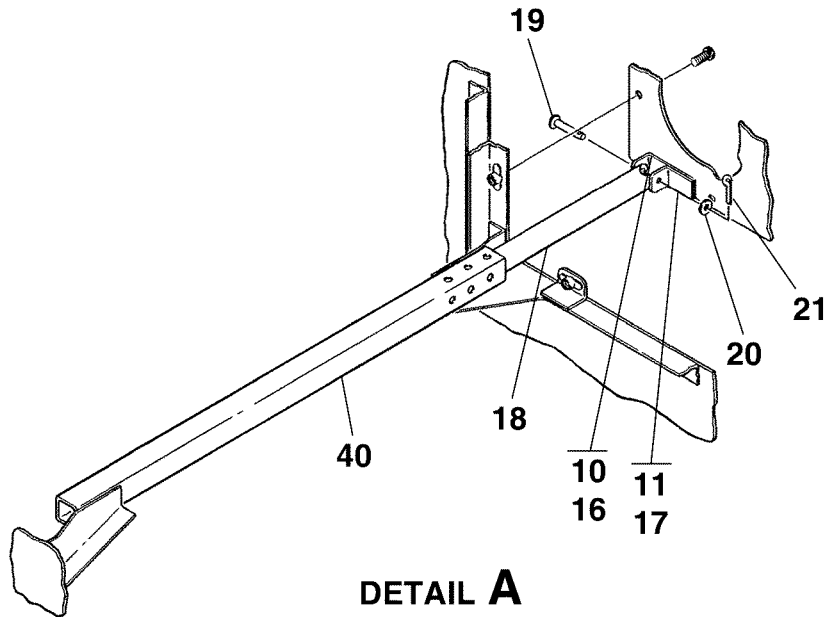
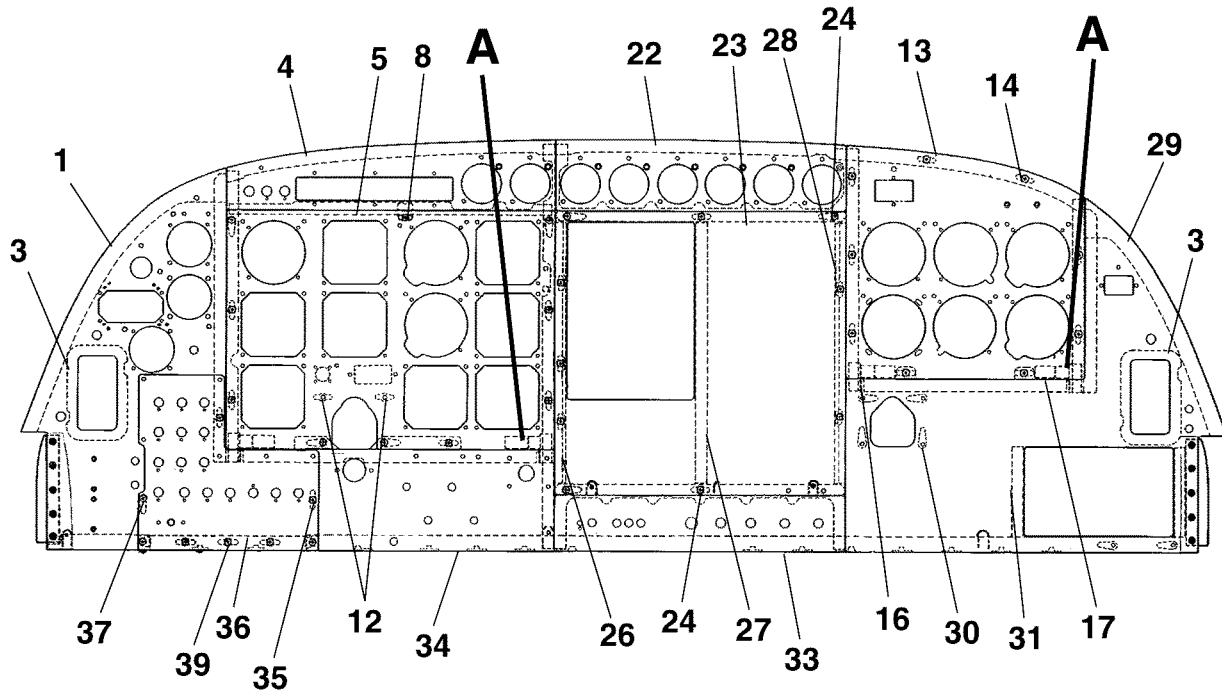
FIG ITEM	PART NUMBER	NOMENCLATURE	1 2 3 4 5 6 7							UNITS PER ASSY
02										
75	2613501-15	. COVER ASSY								01
- 75A	2601380-2	. COVER ASSY REFER TO NOTE 1							B5242 & ON	01 R
76	2613501-14 GUARD								01
- 76A	2613501-3 GUARD REFER TO NOTE 1							B5242 & ON	01 R
77	2613501-12 COVER								01
78	2613501-5 DOUBLER								01
79	2613501-13 DOUBLER								01
80	2601455-6 DOUBLER								01
81	MS21073L04 NUTPLATE								02
82	2613501-4 COVER PLATE								01
83	2613281-1 LED BRACKET ASSY								01
84	MS21061L08K NUTPLATE								03
85	2613010-19 COVER								01
	 ATTACHING PARTS								
86	AN525-10R6 SCREW								08
87	NAS1149F0332P WASHER								08
	 *								
88	2613010-18 COVER								01
	 ATTACHING PARTS								
89	AN525-10R6 SCREW								08
90	NAS1149F0332P WASHER								08
	 *								

NOTE 1—USED ON EASA CERTIFIED AIRPLANES

R

CESSNA®
MODEL 208
 ILLUSTRATED PARTS CATALOG

A24705



INSTRUMENT PANEL STRUCTURE
 FIGURE 01 (SHEET 1)

26134002
 26132003

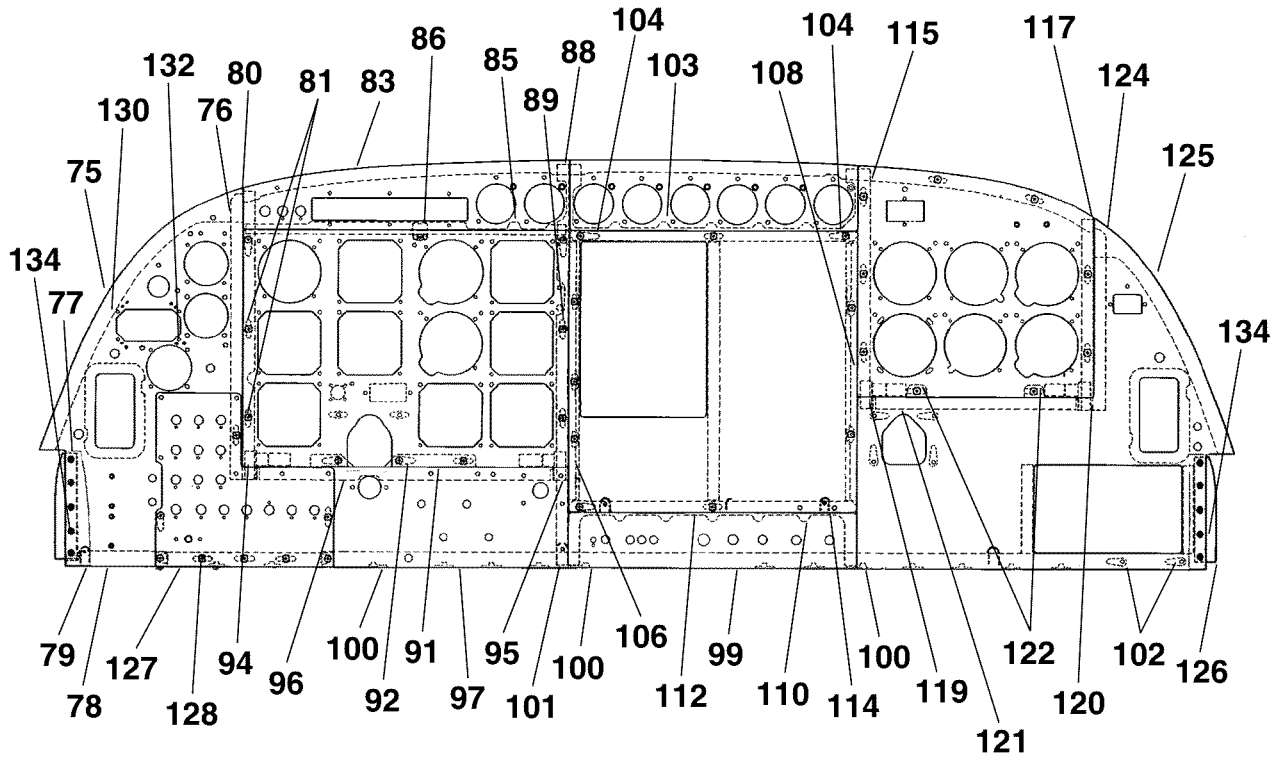
CESSNA®
MODEL 208
ILLUSTRATED PARTS CATALOG

FIG ITEM	PART NUMBER	NOMENCLATURE	UNITS PER ASSY		
			1	2	3
01		INSTRUMENT PANEL STRUCTURE	0001	0145	RF
-				
1	2613011-2 PANEL .080 2024 T3			01
- 2	MS21051L08 NUTPLATE			01
3	 CABIN VENTILATION-FWD REFER TO 21-21-00 FIGURE 01			RF
4	2613011-78 PANEL .080 2024 T3			01
5	2613388-200 PANEL ASSY REFER TO NOTE 1	0001	0060	01
- 6	2613388-8 PANEL ASSY FSO 2613388-201 REFER TO NOTE 1	0061	0139	NP
- 7	2613388-201 PANEL ASSY REFER TO NOTE 1	0140	0145	01
		ATTACHING PARTS			
8	AN525-832R8 SCREW			10
- 9	NAS1149FN816P WASHER			10
		—*—			
10	2613011-55 BRACKET .040 2024 T3			02
11	2613011-56 BRACKET .040 2024 T3			02
12	MS21047L08 NUTPLATE			02
13	2613387-200 PANEL ASSY REFER TO NOTE 1			01
		ATTACHING PARTS			
14	AN525-832R8 SCREW			09
- 15	NAS1149FN816P WASHER			09
		—*—			
16	2613011-55 BRACKET .040 2024 T3			02
17	2613011-56 BRACKET .040 2024 T3			02
18	2613186-1 TUBE-SLIDE .049X.625DIA 2024 T3			04
		ATTACHING PARTS			
19	MS20392-1C25 PIN			01
20	NAS70A128-313 WASHER			01
21	MS24665-132 PIN-COTTER			01
		—*—			
22	2613011-5 PANEL .080 2024 T3			01
23	2613011-4 PANEL ASSY			01
		ATTACHING PARTS			
24	AN525-832R8 SCREW			10
- 25	NAS1149FN816P WASHER			10
		—*—			
26	2613381-1 ANGLE-SUPPORT LH .032 2024 T42			01
27	2613380-1 CHANNEL-SUPPORT CTR .032 2024 T42			01
28	2613381-2 ANGLE-SUPPORT RH .032 2024 T42			01
29	2613011-91 PANEL .080 2024 T3			01
30	MS21051L08 NUTPLATE			04
31	2513546-1 ANGLE ASSY .025 2024 T42			02
- 32	NAS682A08K NUTPLATE			03
33	2613011-93 PANEL .080 2024 T3			01
34	2613011-88 PANEL .080 2024 T3			01
35	MS21047L08 NUTPLATE			01
36	2613011-59 PLATE-SWITCH ASSY .063 2024 T3 FSO 2613011-94			NP
- 36A	2613011-94 PLATE-SWITCH ASSY .063 2024 T3			01
		ATTACHING PARTS			
37	AN525-832R8 SCREW			03
- 38	NAS1149FN816P WASHER			03
39	MS24693-S49 SCREW			05
		—*—			
40	 FORWARD FUSELAGE STRUCTURE REFER TO 53-10-01 FIGURE 01			RF

NOTE 1—IF YOUR PANEL HAS BEEN ALTERED FROM ORIGINAL AIRPLANE ORDER CONFIGURATION, CONTACT PRODUCT SUPPORT DEPARTMENT.

CESSNA®
MODEL 208
II ILLUSTRATED PARTS CATALOG

A24706



26134002

INSTRUMENT PANEL STRUCTURE
FIGURE 01 (SHEET 2)

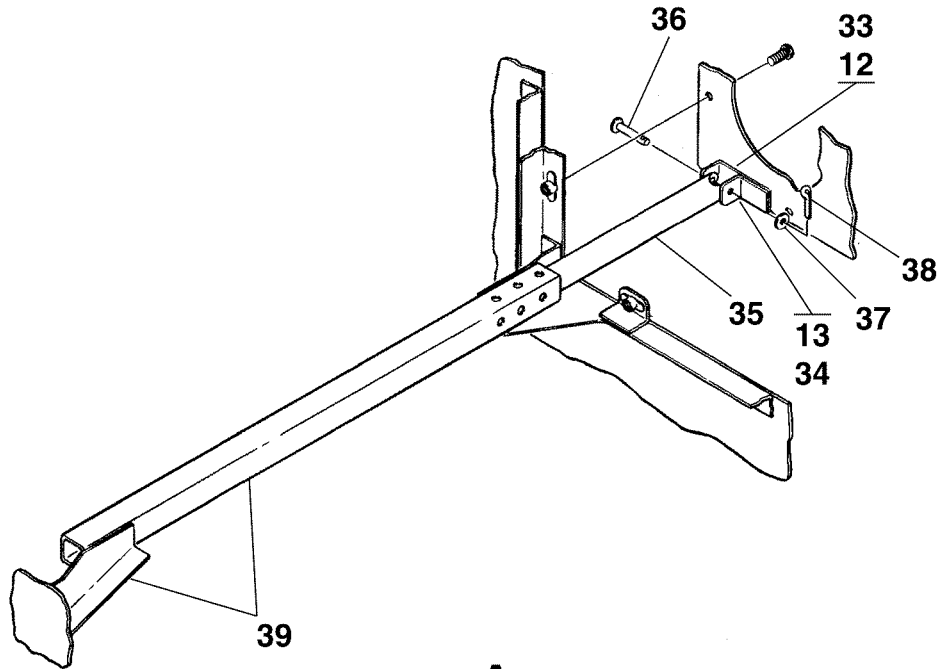
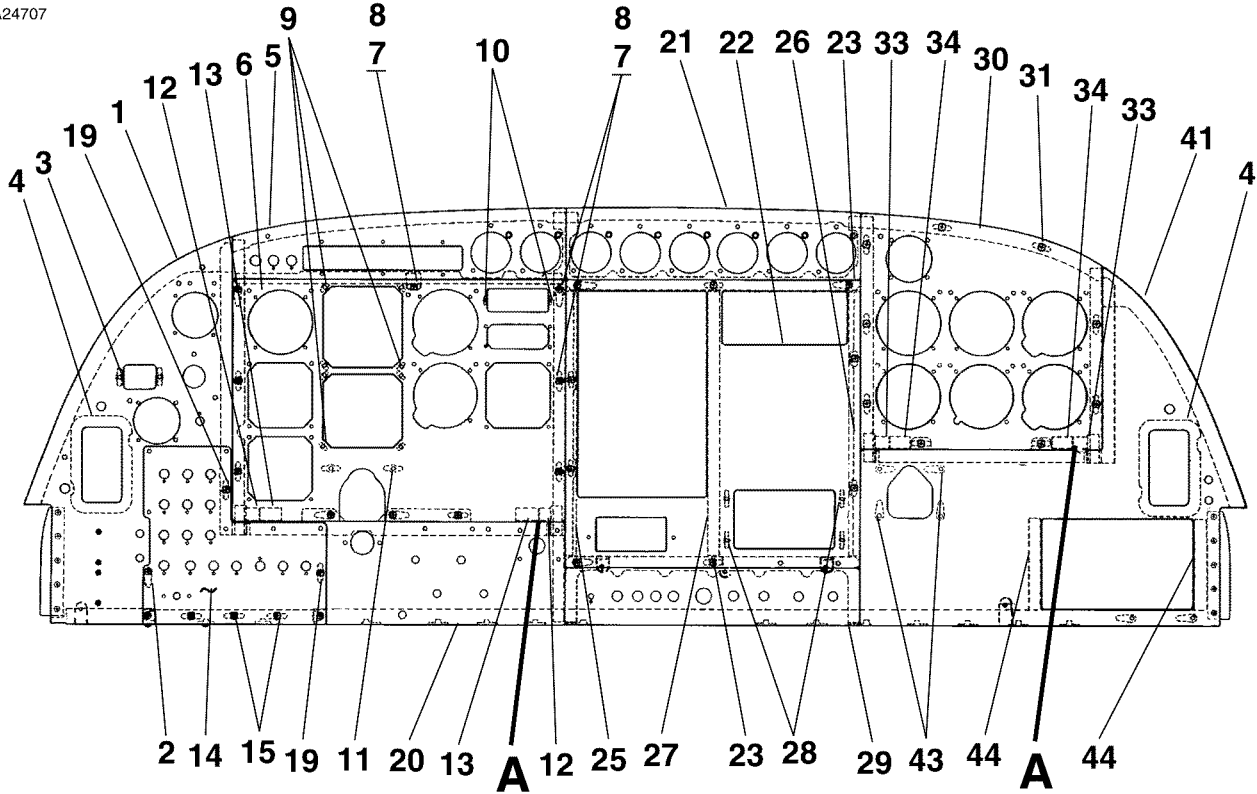
CESSNA®
MODEL 208
ILLUSTRATED PARTS CATALOG

FIG ITEM	PART NUMBER	NOMENCLATURE	1 2 3 4 5 6 7							UNITS PER ASSY
01										
75	2613011-35	. ANGLE-SUPPORT .032 2024 T42								01
76	2613011-33	. ANGLE-SUPPORT .032 2024 T3								01
77	2613011-25	. BRACKET .063 2024 T42								01
78	2613011-96	. ANGLE ASSY .032 2024 T3								01
79	S2300-24	. BRACKET								01
80	2613011-39	. ANGLE ASSY .032 2024 T3								01
81	MS21047L08K	. NUTPLATE								02
- 82	NAS682A08K	. NUTPLATE								01
83	2613011-9	. ANGLE ASSY .032 2024 T42								01
- 84	MS21047L08K	. NUTPLATE								02
85	2613011-79	. ANGLE ASSY								01
86	2613011-81	. PLATE ASSY .032 2024 T3								01
- 87	MS21069L3	. NUTPLATE								01
88	2613011-38	. ANGLE ASSY .032 2024 T3								01
89	MS21047L08K	. NUTPLATE								02
- 90	NAS682A08K	. NUTPLATE								01
91	2613117-1	. ANGLE ASSY .032 2024 T3								01
92	MS21051L08	. NUTPLATE								02
- 93	MS21047L08	. NUTPLATE								01
94	2613011-85	. BRACKET LH .032 2024 T3								01
95	2613011-89	. BRACKET RH .032 2024 T42								01
96	2613316-1	. BRACKET .032 2024 T42								01
97	2613011-70	. ANGLE ASSY FSO 2613011-116								NP
- 98	2613011-100	. ANGLE ASSY .032 2024 T3 FOR SPARES FSO 2613011-116								NP R
- 98A	2613011-116	. ANGLE ASSY .032 2024 T3 FOR SPARES								01 R
99	MS21047L08K	. NUTPLATE								09
100	NAS682A08K	. NUTPLATE								03
101	S2300-24	. BRACKET								02
102	NAS682A3	. NUTPLATE								02
103	2613011-18	. BRACKET ASSY .032 2024 T42								01
104	NAS682A08K	. NUTPLATE								02
- 105	MS21047L08K	. NUTPLATE								01
106	2613011-63	. ANGLE ASSY LH .032 2024 T3								01
- 107	MS21069L08K	. NUTPLATE								03
108	2613011-62	. ANGLE ASSY RH .032 2024 T3								01
- 109	MS21069L08K	. NUTPLATE								02
110	2613011-49	. BRACKET ASSY FSO 2613011-98								NP
- 111	2613011-98	. BRACKET ASSY .032 2024 T3								01
112	MS21047L08K	. NUTPLATE								01
- 113	NAS682A08K	. NUTPLATE								01
114	AN743-12	. ANGLE								03
115	2613011-15	. ANGLE ASSY .032 2024 T3								01
- 116	MS21047L08K	. NUTPLATE								03
117	2613011-12	. ANGLE ASSY .032 2024 T3								01
- 118	MS21047L08K	. NUTPLATE								02
119	2613011-85	. BRACKET LH .032 2024 T3								01
120	2613011-41	. BRACKET RH .032 2024 T3								01
121	2613011-42	. BRACKET ASSY								01
122	2613011-57	. BRACKET ASSY .032 2024 T3								02
- 123	MS21047L08K	. NUTPLATE								01
124	2613011-30	. ANGLE .032 2024 T3								01
125	2613011-32	. ANGLE .032 2024 T42								01
126	2613011-26	. BRACKET .063 2024 T42								01
127	2613011-60	. ANGLE ASSY .025 2024 T42 FSO 2613011-117								NP R
- 127A	2613011-117	. ANGLE ASSY .025 2024 T42 FOR SPARES								01 R
128	MS21047L08K	. NUTPLATE								05
- 129	MS21086L08K	. NUTPLATE								02
130	NAS696A06	. NUTPLATE						0001	0048	03
- 131	NAS696A04	. NUTPLATE						0049	0145	03
132	NAS698A06	. NUTPLATE						0001	0048	01
- 133	NAS698A04	. NUTPLATE						0049	0145	01
134	MS24693-S50	. SCREW								10
- 135	MS21044N08	. NUT								10
- 136	NAS1149DN816H	. WASHER								10

- ITEM NOT ILLUSTRATED

CESSNA®
MODEL 208
 ILLUSTRATED PARTS CATALOG

A24707



DETAIL A

INSTRUMENT PANEL STRUCTURE USED WITH KFC250 AUTOPILOT
 FIGURE 02 (SHEET 1)

26134003
 A26132003

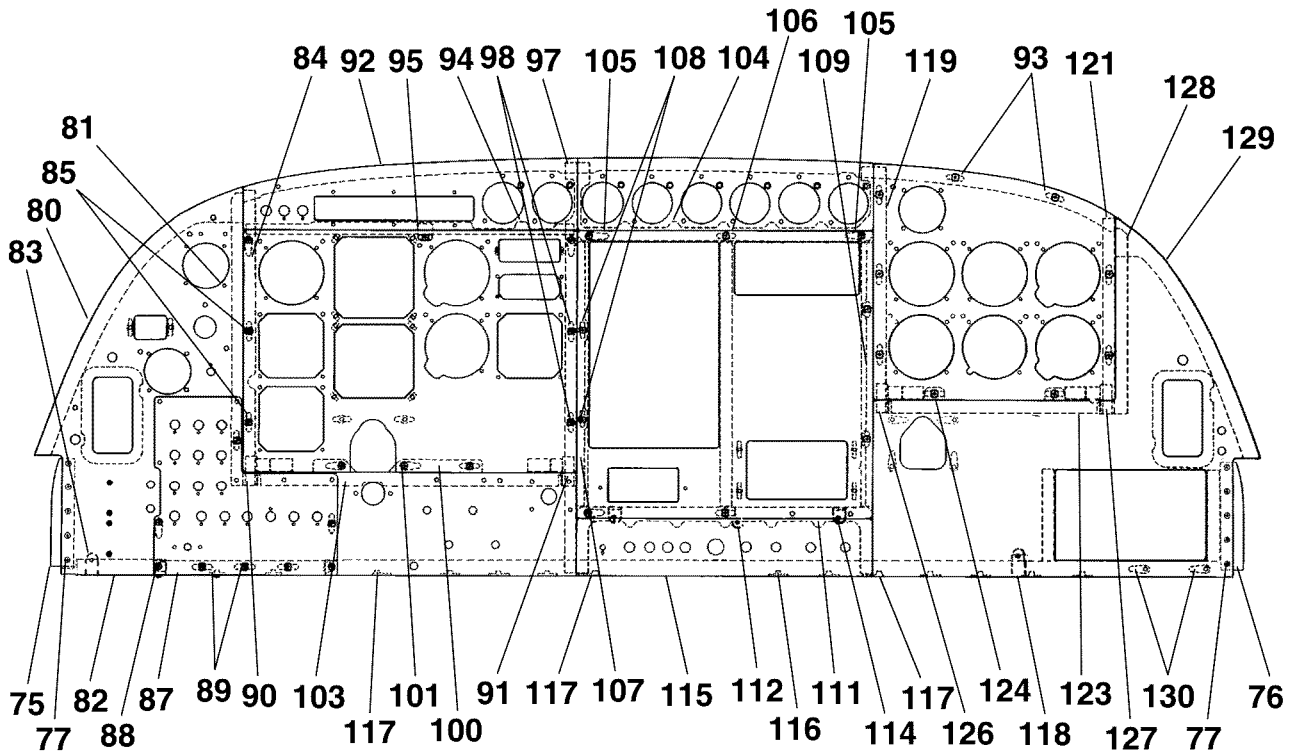
CESSNA®
MODEL 208
ILLUSTRATED PARTS CATALOG

FIG ITEM	PART NUMBER	NOMENCLATURE	UNITS		
			PER	ASSY	
02		INSTRUMENT PANEL STRUCTURE USED WITH KFC250 AUTOPILOT	0007	0083	RF
-					
1	2613328-1	. PANEL ASSY-STATIONARY LH .080 2024 T3			01
2	MS21051L08	. NUTPLATE			01
3	MS21047L4	. NUTPLATE			02
4		. CABIN VENTILATION-FWD REFER TO 21-21-00 FIGURE 01			RF
5	2613011-78	. PANEL .080 2024 T3			01
6	2613327-1	. PANEL ASSY-REMOVABLE LH			01
		ATTACHING PARTS			
7	AN525-832R8	. SCREW			10
8	NAS1149FN816P	. WASHER			10
		—*—			
9	NAS697A06	. NUTPLATE			08
10	MS21069L04	. NUTPLATE			02
11	MS21047L08	. NUTPLATE			02
12	2613011-55	. BRACKET .040 2024 T3			02
13	2613011-56	. BRACKET .040 2024 T3			02
14	2613011-59	. PLATE-SWITCH ASSY .063 2024 T3 FSO 2613011-94			NP
- 14A	2613011-94	. PLATE-SWITCH ASSY .063 2024 T3			01
		ATTACHING PARTS			
15	MS24693-S49	. SCREW			05
		—*—			
- 16	AN525-832R8	. SCREW			03
- 17	NAS1149FN816P	. WASHER			03
- 18	2613326-7	. PANEL ASSY-LOWER LH .080 2024 T3			01
19	MS21047L08	. NUTPLATE			02
20	2613011-88	. PANEL-LOWER LH .080 2024 T3			01
21	2613011-5	. PANEL-UPPER CTR .080 2024 T3			01
22	2613329-1	. PANEL ASSY-RADIO STACK			01
		ATTACHING PARTS			
23	AN525-832R8	. SCREW			09
- 24	NAS1149FN816P	. WASHER			09
		—*—			
25	2613330-1	. ANGLE .032 2024 T3			01
26	2613330-2	. ANGLE .032 2024 T3			01
27	2613331-1	. CHANNEL .032 2024 T3			01
28	MS21047L06	. NUTPLATE			04
29	2613011-93	. PANEL-LOWER CTR .080 2024 T3			01
30	2613348-1	. PANEL ASSY-REMOVABLE RH			01
		ATTACHING PARTS			
31	AN525-832R8	. SCREW			09
- 32	NAS1149FN816P	. WASHER			09
		—*—			
33	2613011-55	. BRACKET .040 2024 T3			02
34	2613011-56	. BRACKET .040 2024 T3			02
35	2613186-1	. TUBE-SLIDE .049X.625DIA 2024 T3			04
		ATTACHING PARTS			
36	MS20392-1C25	. PIN			01
37	NAS70A128-313	. WASHER			01
38	MS24665-132	. PIN-COTTER			01
		—*—			
39		. FORWARD FUSELAGE STRUCTURE REFER TO 53-10-01 FIGURE 01			RF
- 40	2613326-3	. PANEL ASSY- STATIONARY RH			01
41	2613011-86	. PANEL-STATIONARY RH FSO 2613011-91	0007	0061	01
- 42	2613011-91	. PANEL-STATIONARY RH .080 2024 T3	0062	0083	01
43	MS21051L08	. NUTPLATE			04
44	2513546-1	. ANGLE ASSY .025 2024 T42			02
- 45	NAS682A08K	. NUTPLATE			03

- ITEM NOT ILLUSTRATED

CESSNA®
MODEL 208
ILLUSTRATED PARTS CATALOG

A24708



26134003

INSTRUMENT PANEL STRUCTURE USED WITH KFC250 AUTOPILOT
FIGURE 02 (SHEET 2)

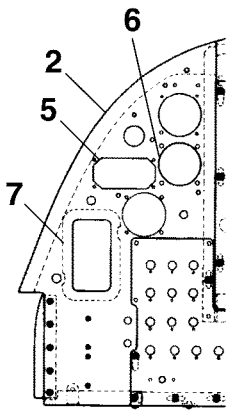
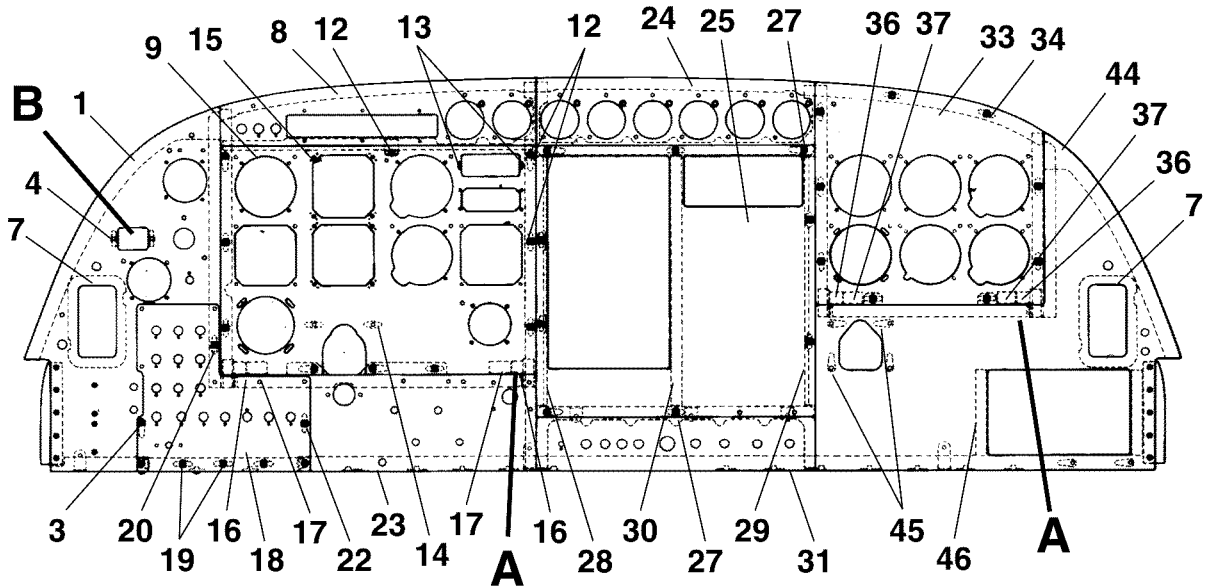
CESSNA®
MODEL 208
 ILLUSTRATED PARTS CATALOG

FIG ITEM	PART NUMBER	NOMENCLATURE	UNITS
			PER ASSY
		1 2 3 4 5 6 7	
02			
75	2613011-25	. BRACKET-SUPPORT LH .063 2024 T42	01
76	2613011-26	. BRACKET-SUPPORT RH .063 2024 T42	01
		ATTACHING PARTS	
77	MS24693-S50	. SCREW	05
- 78	MS21044N08	. NUT	05
- 79	NAS1149DN816H	. WASHER	05
		—*	
80	2613011-35	. ANGLE-SUPPORT .032 2024 T42	01
81	2613011-33	. ANGLE-SUPPORT .032 2024 T3	01
82	2613011-96	. ANGLE ASSY .032 2024 T3	01
83	S2300-24	. BRACKET	01
84	2613011-39	. ANGLE ASSY-SUPPORT .032 2024 T3	01
85	MS21047L08K	. . NUTPLATE	02
- 86	NAS682A08K	. . NUTPLATE	01
87	2613011-60	. ANGLE ASSY .025 2024 T42 FSO 2613011-116	NP
- 87A	2613011-117	. ANGLE ASSY .025 2024 T42 FOR SPARES	01
88	MS21086L08K	. . NUTPLATE	02
89	MS21047L08K	. . NUTPLATE	05
90	2613011-85	. BRACKET .032 2024 T3	01
91	2613011-89	. BRACKET .032 2024 T42	01
92	2613011-9	. ANGLE ASSY-SUPPORT .032 2024 T42	01
93	MS21047L08K	. . NUTPLATE	02
94	2613011-79	. ANGLE ASSY	01
95	2613011-81	. . PLATE ASSY .032 2024 T3	01
- 96	MS21069L08K	. . NUTPLATE	01
97	2613011-38	. ANGLE ASSY-SUPPORT .032 2024 T3	01
98	MS21047L08K	. . NUTPLATE	02
- 99	NAS682A08K	. . NUTPLATE	01
100	2613117-1	. ANGLE ASSY .032 2024 T3	01
101	MS21051L08	. . NUTPLATE	02
- 102	MS21047L08	. . NUTPLATE	01
103	2613316-1	. SUPPORT .032 2024 T42	01
104	2613011-18	. BRACKET ASSY-SUPPORT .032 2024 T3	01
105	NAS682A08K	. . NUTPLATE	02
106	MS21047L08K	. . NUTPLATE	01
107	2613332-1	. ANGLE ASSY-LH .032 2024 T3	01
108	NAS679A08K	. . NUTPLATE	02
109	2613332-2	. ANGLE ASSY-RH .032 2024 T3	01
- 110	NAS679A08K	. . NUTPLATE	02
111	2613011-98	. BRACKET ASSY-SUPPORT .032 2024 T3	01
112	MS21047L08K	. . NUTPLATE	01
- 113	NAS682A08K	. . NUTPLATE	01
114	AN743-12	. ANGLE	03
115	2613011-100	. ANGLE ASSY .032 2024 T3 FSO 2613011-116	NP R
- 115A	2613011-116	. ANGLE ASSY .032 2024 T3 FOR SPARES	01 R
116	MS21047L08K	. . NUTPLATE	09
117	NAS682A08K	. . NUTPLATE	03
118	S2300-24	. BRACKET	02
119	2613011-15	. ANGLE ASSY .032 2024 T3	01
- 120	MS21047L08K	. . NUTPLATE	03
121	2613011-12	. ANGLE ASSY .032 2024 T3	01
- 122	MS21047L08K	. . NUTPLATE	02
123	2613011-42	. SUPPORT ASSY	01
124	2613011-57	. BRACKET ASSY .032 2024 T3	02
- 125	MS21047L08K	. . NUTPLATE	01
126	2613011-85	. BRACKET-LH .032 2024 T3	01
127	2613011-89	. BRACKET-RH .032 2024 T42	01
128	2613011-30	. ANGLE .032 2024 T3	01
129	2613011-32	. ANGLE .032 2024 T42	01
130	NAS682A3	. NUTPLATE	02

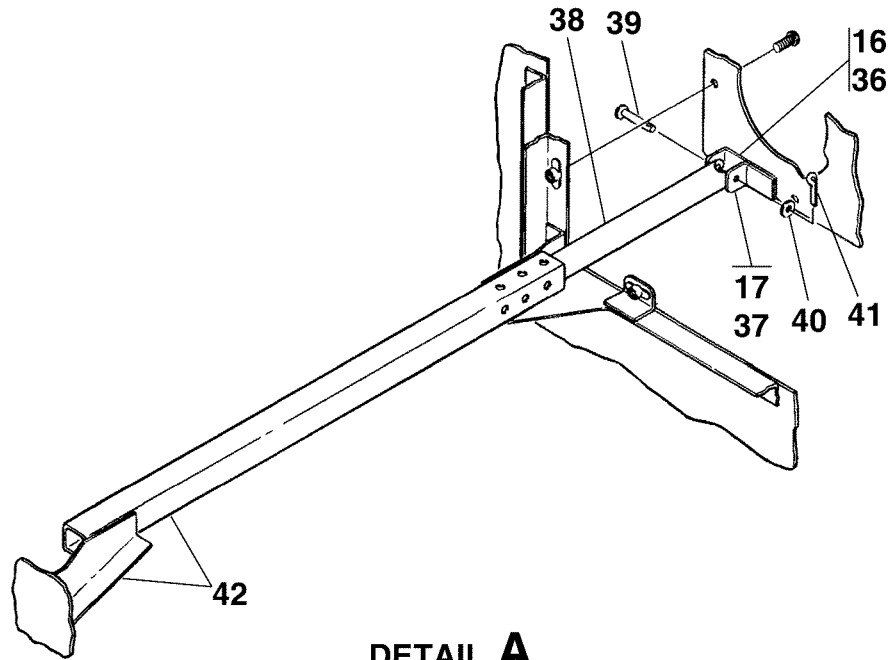
- ITEM NOT ILLUSTRATED

CESSNA®
MODEL 208
 ILLUSTRATED PARTS CATALOG

A24709



DETAIL B
 208 CARGOMASTER



DETAIL A

INSTRUMENT PANEL STRUCTURE USED WITH KFC150 AUTOPILOT
 FIGURE 03 (SHEET 1)

26134001
 A26132003
 B26134002

CESSNA®
MODEL 208
ILLUSTRATED PARTS CATALOG

FIG ITEM	PART NUMBER	NOMENCLATURE	UNITS PER ASSY	
			1 2 3 4 5 6 7	
03		INSTRUMENT PANEL STRUCTURE USED WITH KFC150 AUTOPILOT	0084	& ON RF
-			B0001	& ON
1	2613328-1	. PANEL ASSY-STATIONARY LH .080 2024 T3		01
2	2613011-2	. PANEL ASSY-STATIONARY LH .080 2024 T3		01
3	MS21051L08	. . NUTPLATE		01
4	MS21047L4	. . NUTPLATE		02
5	NAS696A04	. . NUTPLATE		03
6	NAS698A04	. . NUTPLATE		01
7		. CABIN VENTILATION-FWD REFER TO 21-21-00 FIGURE 01		RF
8	2613011-78	. PANEL .080 2024 T3		01
9	2613327-11	. PANEL ASSY-REMOVABLE LH		01
- 10	2613327-12	. PANEL ASSY-REMOVABLE LH		01
- 11	2619003-7	. PANEL ASSY-REMOVABLE LH		01
		ATTACHING PARTS		
12	AN525-832R8	. SCREW		10
		—*—		
13	MS21069L04	. . NUTPLATE		02
14	MS21047L08	. . NUTPLATE		02
15	NAS697A06	. . NUTPLATE		08
16	2613011-55	. . BRACKET .040 2024 T3		02
17	2613011-56	. . BRACKET .040 2024 T3		02
18	2613011-94	. PLATE-SWITCH ASSY .063 2024 T3	0155 0381	01
			B0180 B1087	
- 18A	2613011-109	. PLATE-SWITCH ASSY .063 2024 T3 FSO 2613011-115	0382 0395	NP
			B1088 B1170	
- 18B	2613011-115	. PLATE-SWITCH ASSY .063 2024 T3	0396 & ON	01
			B1171 & ON	
- 18C	2613011-119	. PLATE ASSY-SWITCH-LAA .063 2024 T3 REFER TO NOTE 1	B1314 B1314	01 R
		ATTACHING PARTS		
19	MS24693-S49	. SCREW		08
		—*—		
20	MS21047L08	. . NUTPLATE		01
- 21	2613326-7	. PANEL ASSY-LOWER LH .080 2024 T3		01
22	MS21047L08	. . NUTPLATE		01
23	2613011-88	. . PANEL-LOWER LH .080 2024 T3		01
24	2613011-5	. PANEL-UPPER CTR .080 2024 T3		01
25	2613329-7	. PANEL ASSY-RADIO STACK		01
- 26	2619004-9	. PANEL ASSY-RADIO STACK		01
		ATTACHING PARTS		
27	AN525-832R8	. SCREW		09
		—*—		
28	2613330-3	. . SUPPORT-LH .032 2024 T3		01
29	2613330-2	. . SUPPORT-RH .032 2024 T3		01
30	2613331-2	. . SUPPORT-CTR .032 2024 T3		01
31	2613011-93	. PANEL-LOWER CTR FSO 2613011-103	0084 0200	NP
			B0001 B0249	
- 32	2613011-103	. PANEL-LOWER CTR .080 2024 T3	0201 & ON	01
			B0250 & ON	
33	2613348-5	. PANEL ASSY-REMOVABLE RH		01
		ATTACHING PARTS		
34	AN525-832R8	. SCREW		09
- 35	NAS1149FN816P	. WASHER		09
		—*—		
36	2613011-55	. . BRACKET .040 2024 T3		02
37	2613011-56	. . BRACKET .040 2024 T3		02
38	2613186-1	. TUBE-SLIDE .049X.625DIA 2024 T3		04
		ATTACHING PARTS		
39	MS20392-1C25	. PIN		01
40	NAS70A128-313	. WASHER		01
41	MS24665-132	. PIN-COTTER		01
		—*—		
42		. FORWARD FUSELAGE STRUCTURE REFER TO 53-10-01 FIGURE 01		RF
- 43	2613326-3	. PANEL ASSY-STATIONARY RH		01
44	2613011-91	. . PANEL-STATIONARY RH .080 2024 T3		01
45	MS21051L08	. . NUTPLATE		04
46	2513546-1	. . ANGLE ASSY .025 2024 T42		02
- 47	NAS682A08K	. . NUTPLATE		03

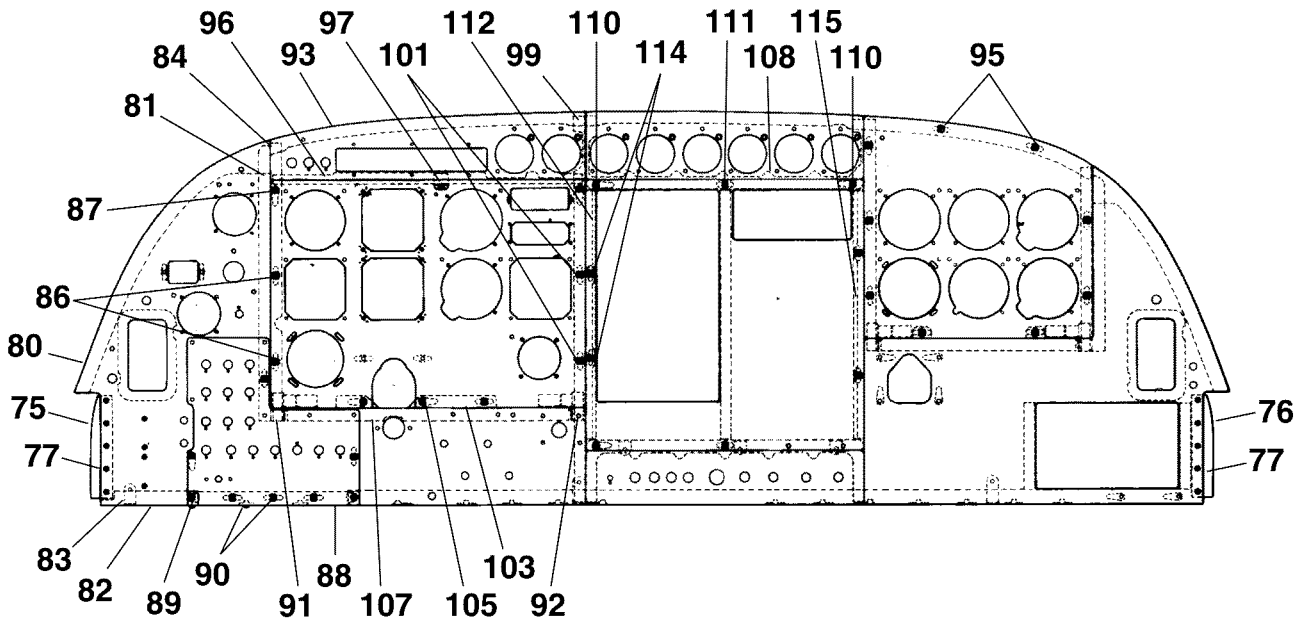
NOTE 1—AIRPLANES -B1314 AND AIRPLANES -B0001 THRU -B1999 INCORPORATING SK208-174.

R

- ITEM NOT ILLUSTRATED

CESSNA®
MODEL 208
ILLUSTRATED PARTS CATALOG

A24710



26134001

INSTRUMENT PANEL STRUCTURE USED WITH KFC150 AUTOPILOT
FIGURE 03 (SHEET 2)

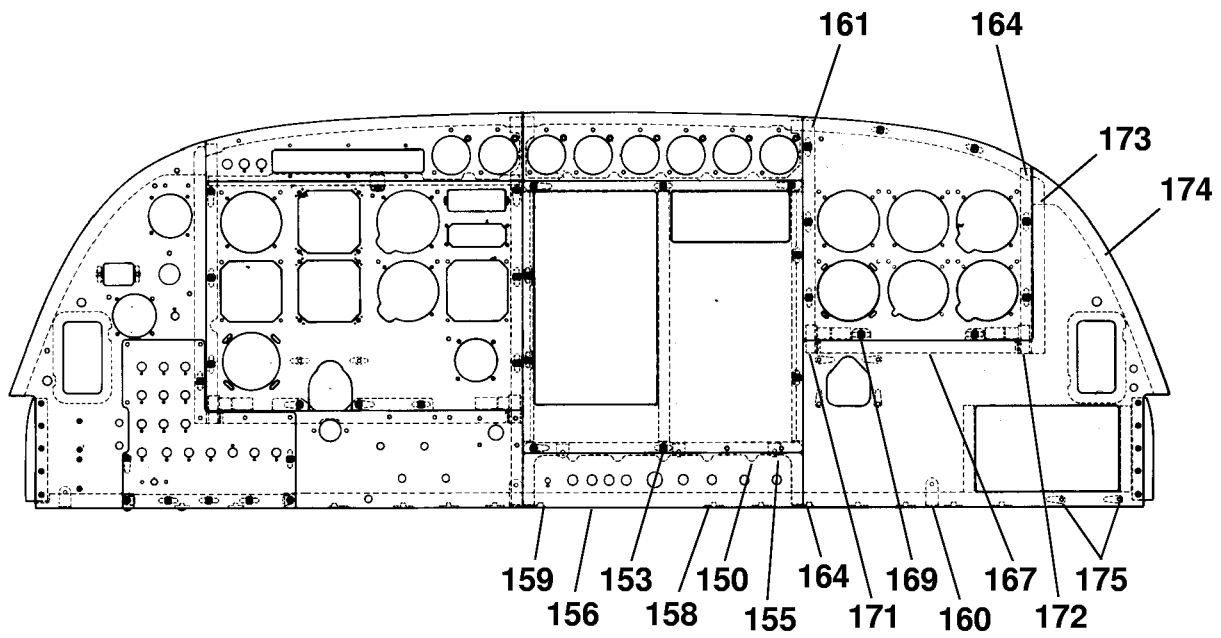
CESSNA®
MODEL 208
ILLUSTRATED PARTS CATALOG

FIG ITEM	PART NUMBER	NOMENCLATURE	UNITS PER ASSY		
			1	2	3
03					
75	2613011-25	. BRACKET-SUPPORT LH .063 2024 T42			01
76	2613011-26	. BRACKET-SUPPORT RH .063 2024 T42			01
		ATTACHING PARTS			
77	MS24693-S50	. SCREW			05
- 78	MS21044N08	. NUT			05
- 79	NAS1149DN816H	. WASHER			05
		—*			
80	2613011-35	. ANGLE-SUPPORT .032 2024 T42			01
81	2613011-33	. ANGLE-SUPPORT .032 2024 T3			01
82	2613011-96	. ANGLE ASSY .032 2024 T3			01
83	S2300-24	. BRACKET	0155	& ON	01
			B0180	& ON	
84	2613011-39	. ANGLE ASSY-SUPPORT FSO 2613011-19	0084	0200	NP
			B0001	B0249	
- 85	2613011-19	. ANGLE ASSY-SUPPORT .032 2024 T3	0201	& ON	01
			B0250	& ON	
86	MS21047L08K	. NUTPLATE			02
87	NAS682A08K	. NUTPLATE			01
88	2613011-60	. ANGLE ASSY .025 2024 T42 FSO 2613011-117	0001	0395	NP
			B0001	B1170	
- 88A	2613011-117	. ANGLE ASSY .025 2024 T42	0396	& ON	01
			B1171	& ON	
89	MS21086L08K	. NUTPLATE	0261	0395	02
			B0589	B1170	
- 89A	MS21086L08K	. NUTPLATE	0396	& ON	04
			B1171	& ON	
90	MS21047L08K	. NUTPLATE			05
91	2613011-85	. BRACKET .032 2024 T3			01
92	2613011-89	. BRACKET .032 2024 T42			01
93	2613011-9	. ANGLE ASSY-SUPPORT FSO 2613011-111	0084	0200	NP
			B0001	B0249	
- 94	2613011-31	. ANGLE ASSY-SUPPORT FSO 2613011-111	0201	0381	NP
			B0589	B1086	
- 94A	2613011-111	. ANGLE ASSY-SUPPORT	0382	& ON	01
			B1087	& ON	
95	MS21047L08K	. NUTPLATE	0084	0200	02
			B0001	B0249	
- 95A	MS21075L08	. NUTPLATE FSO MS21075L08E	0201	0381	NP
			B0250	B1086	
- 95B	MS21075L08E	. NUTPLATE	0382	& ON	02
			B1087	& ON	
96	2613011-79	. ANGLE ASSY			01
97	2613011-81	. PLATE ASSY .032 2024 T3			01
- 98	MS21069L08K	. NUTPLATE			01
99	2613011-38	. ANGLE ASSY-SUPPORT FSO 2613011-22	0084	0200	NP
			B0001	B0249	
- 100	2613011-22	. ANGLE ASSY-SUPPORT .032 2024 T3	0201	& ON	01
			B0250	& ON	
101	MS21047L08K	. NUTPLATE			02
- 102	NAS682A08K	. NUTPLATE			01
103	2613117-1	. ANGLE ASSY FSO 2613117-3	0084	0200	NP
			B0001	B0249	
- 104	2613117-3	. ANGLE ASSY .032 2024 T3	0201	& ON	01
			B0250	& ON	
105	MS21051L08	. NUTPLATE			02
- 106	MS21047L08	. NUTPLATE			01
107	2613316-1	. SUPPORT .032 2024 T42			01
108	2613011-18	. BRACKET ASSY-SUPPORT FSO 2613011-76	0084	0200	NP
			B0001	B0249	
- 109	2613011-76	. BRACKET ASSY-SUPPORT .032 2024 T42	0201	& ON	01
			B0250	& ON	
110	NAS682A08K	. NUTPLATE			02
111	MS21047L08K	. NUTPLATE			01
112	2613332-1	. ANGLE ASSY-LH FSO 2613332-5	0084	0200	NP
			B0001	B0249	
- 113	2613332-5	. ANGLE ASSY-LH .032 2024 T3	0201	& ON	01
			B0250	& ON	
114	NAS679A08K	. NUTPLATE			02
115	2613332-2	. ANGLE ASSY-RH FSO 2613332-6	0084	0200	NP
			B0001	B0249	
- 116	2613332-6	. ANGLE ASSY-RH .032 2024 T3	0201	& ON	01
			B0250	& ON	
- 117	NAS679A08K	. NUTPLATE			02

- ITEM NOT ILLUSTRATED

CESSNA®
MODEL 208
ILLUSTRATED PARTS CATALOG

A24711



26134001

INSTRUMENT PANEL STRUCTURE USED WITH KFC150 AUTOPILOT
FIGURE 03 (SHEET 3)

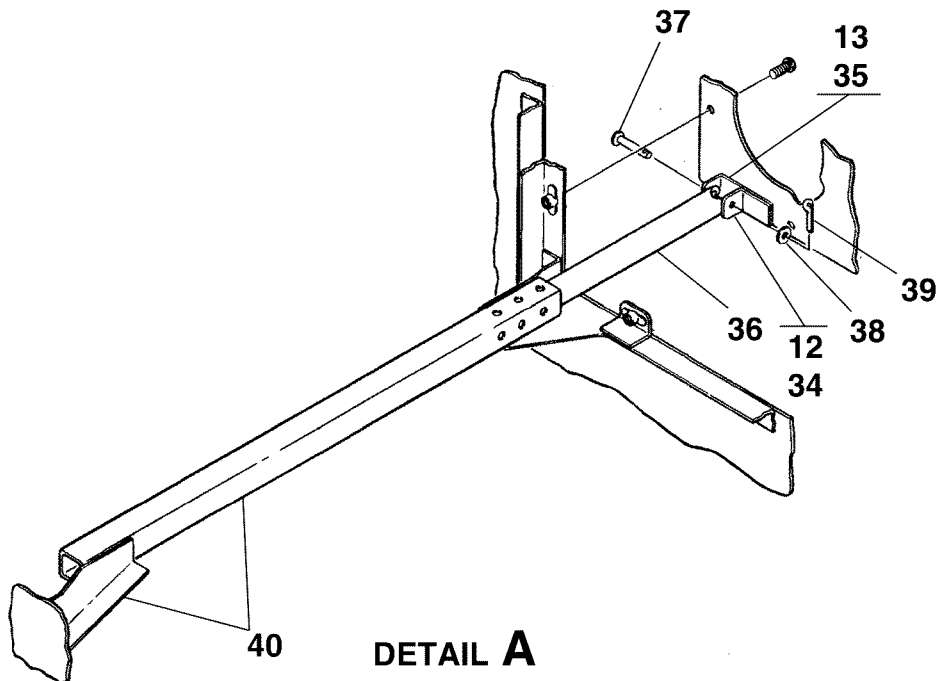
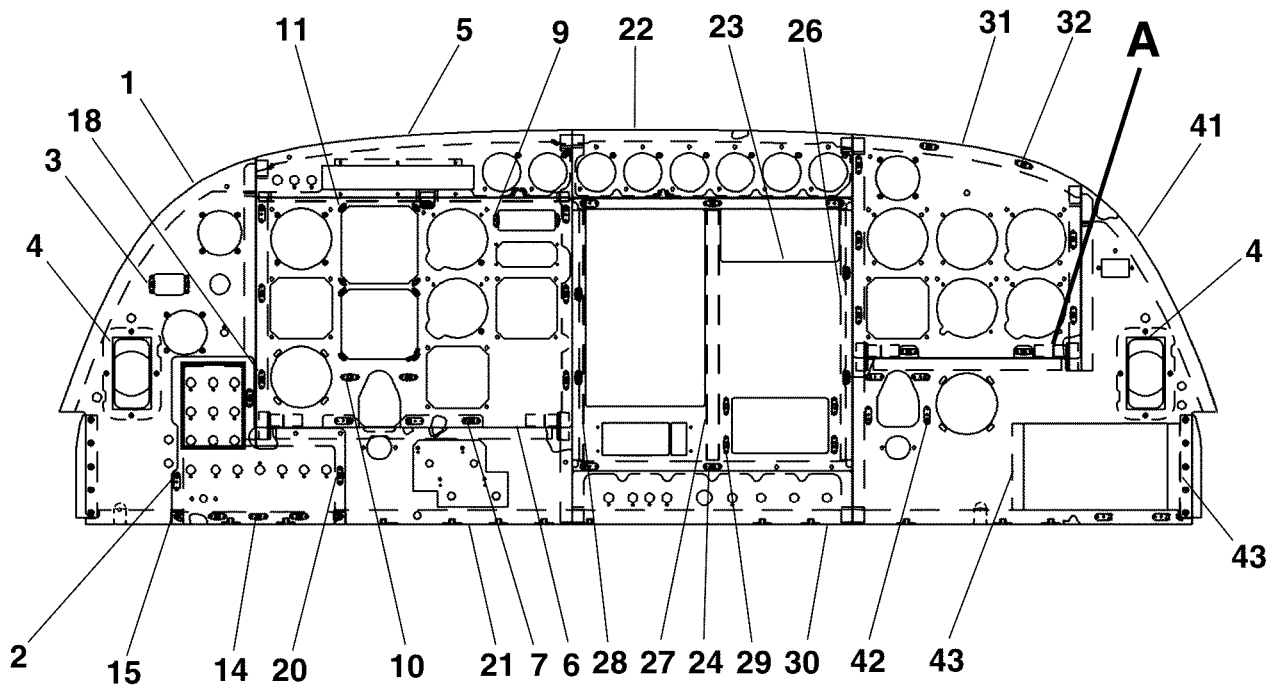
CESSNA®
MODEL 208
ILLUSTRATED PARTS CATALOG

FIG ITEM	PART NUMBER	NOMENCLATURE	UNITS PER ASSY																
			1	2	3	4	5	6	7										
03																			
150	2613011-49	. BRACKET ASSY-SUPPORT FSO 2613011-98											0084	0154	NP				
- 151	2613011-98	. BRACKET ASSY-SUPPORT FSO 2613011-68											B0001	B0179	NP				
- 152	2613011-68	. BRACKET ASSY-SUPPORT .032 2024 T3											0155	0200	NP				
													B0180	B0249					
													0201	& ON	01				
													B0250	& ON					
153	MS21047L08K	. . NUTPLATE													01				
- 154	NAS682A08K	. . NUTPLATE													01				
155	AN743-12	. . ANGLE											0155	& ON	03				
													B0180	& ON					
156	2613011-70	. ANGLE ASSY FSO 2613011-116											0084	0154	NP				
- 157	2613011-100	. ANGLE ASSY .032 2024 T3 FSO 2613011-116											B0001	B0179	NP				
- 157A	2613011-116	. ANGLE ASSY .032 2024 T3											0261	0395	NP				
													B0589	B1170					
													0396	& ON	01				
													B1171	& ON					
158	MS21047L08K	. . NUTPLATE													09				
159	NAS682A08K	. . NUTPLATE											0084	0395	03				
- 159A	NAS682A08K	. . NUTPLATE											B0001	B1170					
													0396	& ON	04				
													B1171	& ON					
160	S2300-24	. . BRACKET											0155	& ON	02				
													B0180	& ON					
161	2613011-15	. ANGLE ASSY FSO 2613011-23											0084	0200	NP				
- 162	2613011-23	. ANGLE ASSY .032 2024 T3											B0001	B0249					
													0201	& ON	01				
													B0250	& ON					
- 163	MS21047L08K	. . NUTPLATE													03				
164	2613011-12	. ANGLE ASSY FSO 2613011-10											0084	0200	NP				
- 165	2613011-10	. ANGLE ASSY .032 2024 T3											B0001	B0249					
													0201	& ON	01				
													B0250	& ON					
- 166	MS21047L08K	. . NUTPLATE													02				
167	2613011-42	. SUPPORT ASSY FSO 2613011-14											0084	0200	NP				
													B0001	B0249					
- 168	2613011-14	. SUPPORT ASSY											0201	& ON	01				
													B0250	& ON					
169	2613011-57	. . BRACKET ASSY .032 2024 T3													02				
- 170	MS21047L08K	. . . NUTPLATE													01				
171	2613011-85	. BRACKET-LH .032 2024 T3													01				
172	2613011-89	. BRACKET-RH .032 2024 T42													01				
173	2613011-30	. ANGLE .032 2024 T3													01				
174	2613011-32	. ANGLE .032 2024 T42													01				
175	NAS682A3	. NUTPLATE													02				

- ITEM NOT ILLUSTRATED

CESSNA®
MODEL 208
 ILLUSTRATED PARTS CATALOG

A24712



INSTRUMENT PANEL STRUCTURE - CAT II AIRPLANES
 FIGURE 04 (SHEET 1)

2613T1009
 A26132003

CESSNA®
MODEL 208
ILLUSTRATED PARTS CATALOG

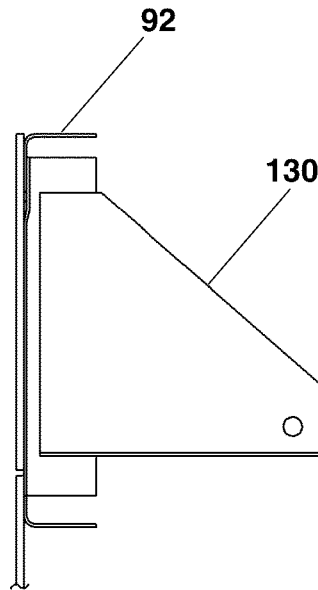
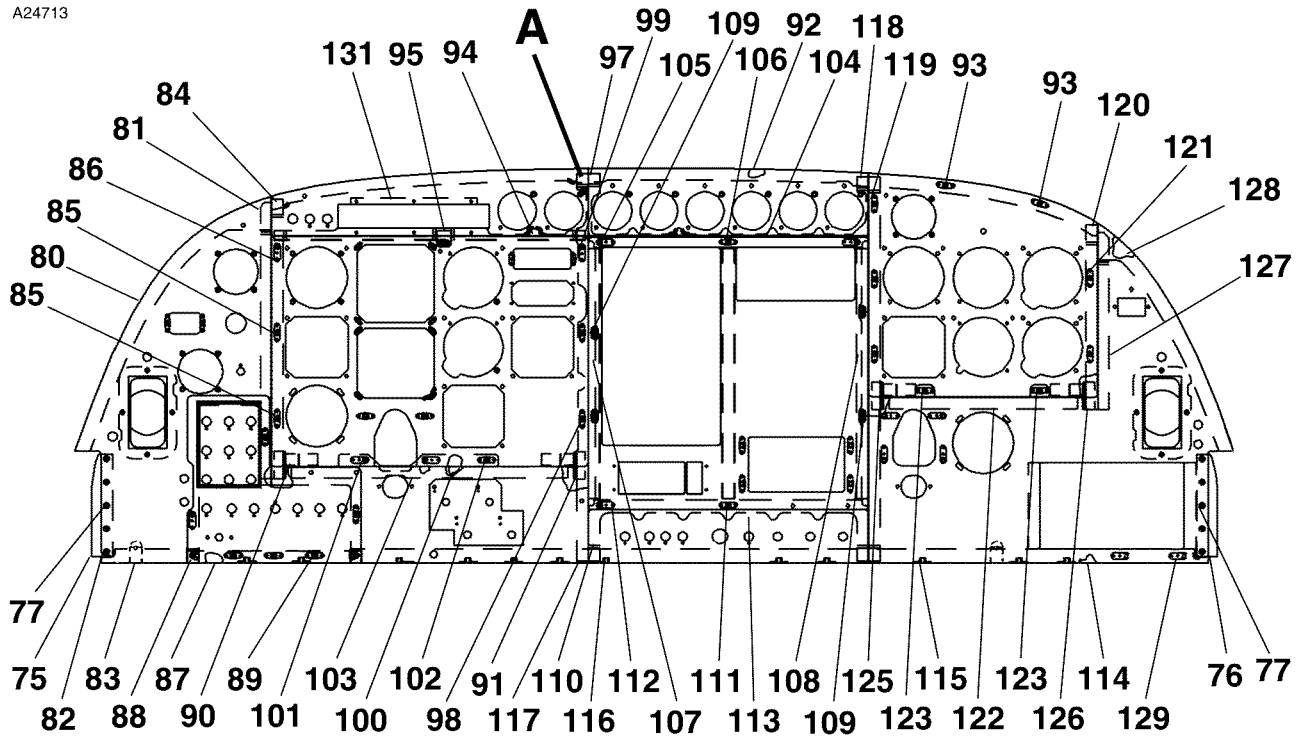
FIG ITEM	PART NUMBER	NOMENCLATURE	UNITS		
			PER	ASSY	
04		INSTRUMENT PANEL STRUCTURE - CAT II AIRPLANES	B0044	B0179	RF
-					
1	2613328-1	. PANEL ASSY-STATIONARY LH .080 2024 T3			01
2	MS21051L08	. . NUTPLATE			01
3	MS21047L4	. . NUTPLATE			02
4		. CABIN VENTILATION-FWD REFER TO 21-21-00 FIGURE 01			RF
5	2613011-78	. PANEL .080 2024 T3			01
6	2619002-203	. PANEL ASSY-LH FLIGHT			01
		ATTACHING PARTS			
7	AN525-832R8	. SCREW			10
- 8	NAS1149FN816P	. WASHER			10
		—*—			
9	MS21069L04	. . NUTPLATE			02
10	MS21047L08	. . NUTPLATE			02
11	NAS697A06	. . NUTPLATE			08
12	2613011-56	. . BRACKET .040 2024 T3			02
13	2613011-55	. . BRACKET .040 2024 T3			02
14	2613011-59	. PLATE-SWITCH ASSY .063 2024 T3 FSO 2613011-94			NP
- 14A	2613011-94	. PLATE-SWITCH ASSY .063 2024 T3			01
		ATTACHING PARTS			
15	MS24693-S49	. SCREW			05
- 16	AN525-832R8	. SCREW			03
- 17	NAS1149FN816P	. WASHER			03
		—*—			
18	MS21047L08	. . NUTPLATE			01
- 19	2613326-7	. PANEL ASSY-LOWER LH .080 2024 T3			01
20	MS21047L08	. . NUTPLATE			01
21	2613011-88	. . PANEL-LOWER LH .080 2024 T3			01
22	2613011-5	. PANEL-UPPER CTR .080 2024 T3			01
23	2619002-201	. PANEL ASSY-RADIO			01
		ATTACHING PARTS			
24	AN525-832R8	. SCREW			09
- 25	NAS1149FN816P	. WASHER			09
		—*—			
26	2613330-2	. . SUPPORT-RH .032 2024 T3			01
27	2613331-3	. . SUPPORT-CTR .032 2024 T3			01
28	2613330-5	. . SUPPORT-LH .032 2024 T3			01
29	MS21047L6	. . NUTPLATE			04
30	2613011-93	. PANEL ASSY-LOWER CENTER .080 2024 T3			01
31	2619002-202	. PANEL ASSY-RH REMOVABLE			01
		ATTACHING PARTS			
32	AN525-832R8	. SCREW			09
- 33	NAS1149FN816P	. WASHER			09
		—*—			
34	2613011-56	. . BRACKET .040 2024 T3			02
35	2613011-55	. . BRACKET .040 2024 T3			02
36	2613186-1	. TUBE-SLIDE .049X.625DIA 2024 T3			04
		ATTACHING PARTS			
37	MS20392-1C25	. PIN			01
38	NAS70A128-316	. WASHER			01
39	MS24665-132	. PIN-COTTER			01
		—*—			
40		. FORWARD FUSELAGE STRUCTURE REFER TO 53-10-01 FIGURE 01			RF
41	2619002-200	. PANEL ASSY-RH STATIONARY			01
42	MS21051L08	. . NUTPLATE			04
43	2513546-1	. . ANGLE ASSY-SUPPORT .025 2024 T42			02
- 44	NAS682A08K	. . NUTPLATE			03

- ITEM NOT ILLUSTRATED

CESSNA®
MODEL 208

ILLUSTRATED PARTS CATALOG

A24713



DETAIL A

INSTRUMENT PANEL STRUCTURE - CAT II AIRPLANES
 FIGURE 04 (SHEET 2)

2613T1009
 A2613T1009

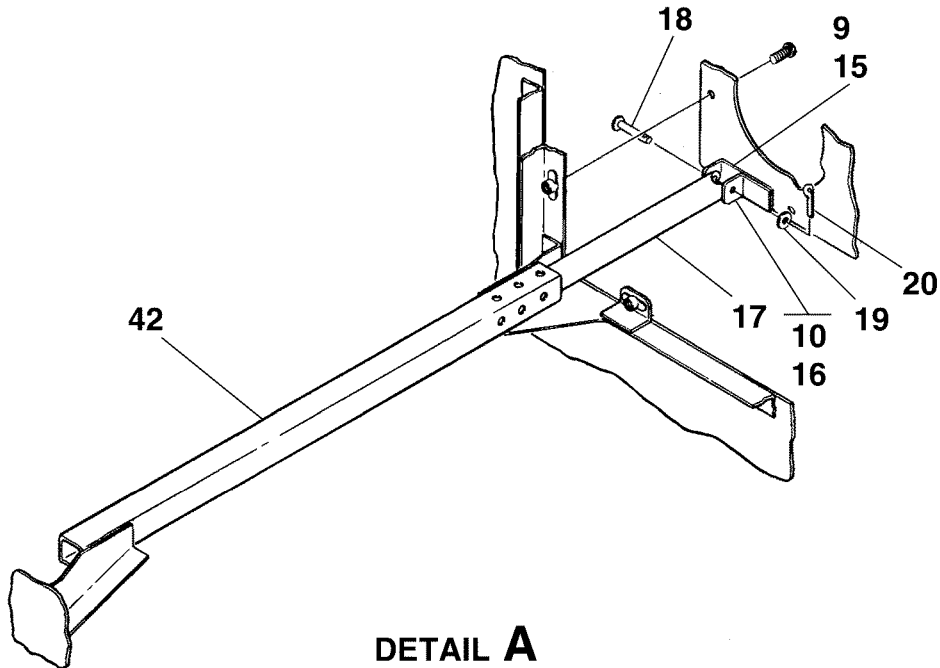
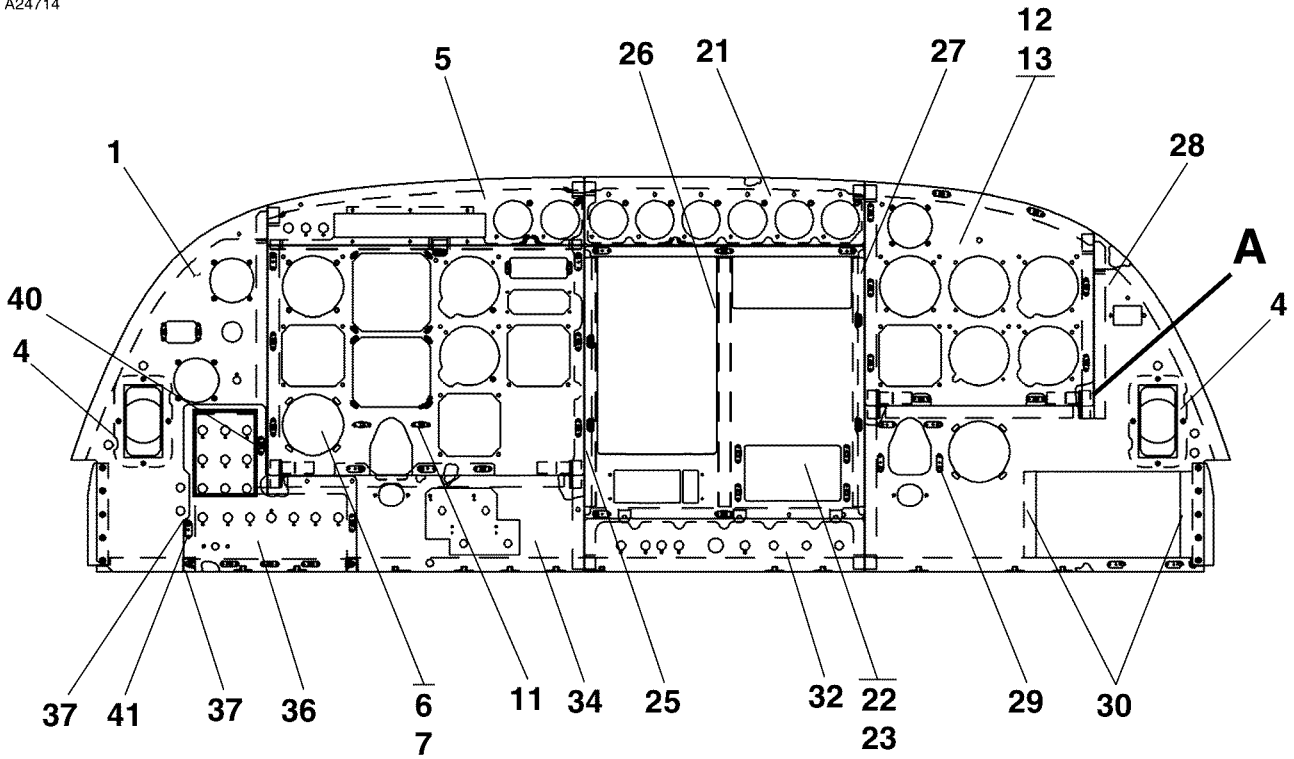
CESSNA®
MODEL 208
ILLUSTRATED PARTS CATALOG

FIG ITEM	PART NUMBER	NOMENCLATURE	UNITS
			PER ASSY
04			
75	2613011-25	. BRACKET-LH SUPPORT .063 2024 T42	01
76	2613011-26	. BRACKET-RH SUPPORT .063 2024 T42	01
		ATTACHING PARTS	
77	MS24693-S49	. SCREW	05
- 78	NAS1149DN816H	. WASHER	05
- 79	MS21044N08	. NUT	05
		—*	
80	2613011-35	. ANGLE-SUPPORT .032 2024 T42	01
81	2613011-33	. ANGLE-SUPPORT .032 2024 T3	01
82	2613011-96	. ANGLE ASSY-SUPPORT .032 2024 T3	01
83	S2300-24	. BRACKET	01
84	2613011-39	. ANGLE ASSY-SUPPORT .032 2024 T3	01
85	MS21047L08K	. NUTPLATE	02
86	NAS682A08K	. NUTPLATE	01
87	2613011-60	. ANGLE ASSY .025 2024 T42 FSO 2613011-117	NP R
- 87A	2613011-117	. ANGLE ASSY .025 2024 T42 FOR SPARES	01 R
88	MS21086L08K	. NUTPLATE	02
89	MS21047L08K	. NUTPLATE	05
90	2613011-85	. BRACKET .032 2024 T3	01
91	2613011-89	. BRACKET .032 2024 T42	01
92	2613011-9	. ANGLE ASSY-SUPPORT .032 2024 T42	01
93	MS21047L08K	. NUTPLATE	02
94	2613011-79	. ANGLE ASSY	01
95	2613011-81	. PLATE ASSY .032 2024 T3	01
- 96	MS21069L08K	. NUTPLATE	01
97	2613011-38	. ANGLE ASSY-SUPPORT .032 2024 T3	01
98	MS21047L08K	. NUTPLATE	02
99	NAS682A08K	. NUTPLATE	01
100	2613117-1	. ANGLE ASSY .032 2024 T3	01
101	MS21051L08	. NUTPLATE	02
102	MS21047L08	. NUTPLATE	01
103	2613316-1	. SUPPORT .032 2024 T42	01
104	2613011-18	. BRACKET ASSY-SUPPORT .032 2024 T42	01
105	NAS682A08K	. NUTPLATE	02
106	MS21047L08K	. NUTPLATE	01
107	2613332-1	. ANGLE ASSY-LH .032 2024 T3	01
108	2613332-2	. ANGLE ASSY-RH .032 2024 T3	01
109	MS21069L08K	. NUTPLATE	02
110	2613011-98	. BRACKET ASSY-SUPPORT .032 2024 T3	01
111	MS21047L08K	. NUTPLATE	01
112	NAS682A08K	. NUTPLATE	01
113	AN743-12	. ANGLE	03
114	2613011-100	. ANGLE ASSY .032 2024 T3 FSO 2613011-100	NP R
- 114A	2613011-116	. ANGLE ASSY .032 2024 T3 FOR SPARES	01 R
115	MS21047L08K	. NUTPLATE	09
116	NAS682A08K	. NUTPLATE	03
117	S2300-24	. BRACKET	02
118	2613011-15	. ANGLE ASSY-SUPPORT .032 2024 T3	01
119	MS21047L08K	. NUTPLATE	03
120	2613011-12	. ANGLE ASSY .032 2024 T3	01
121	MS21047L08K	. NUTPLATE	02
122	2613011-42	. SUPPORT ASSY	01
123	2613011-57	. BRACKET ASSY .032 2024 T3	02
- 124	MS21047L08K	. NUTPLATE	01
125	2613011-85	. BRACKET-LH .032 2024 T3	01
126	2613011-41	. BRACKET .032 2024 T3	01
127	2613011-30	. ANGLE-SUPPORT .032 2024 T3	01
128	2613011-32	. ANGLE-SUPPORT .032 2024 T42	01
129	NAS682A3	. NUTPLATE	02
130	2613365-1	. SUPPORT .032 2024 T42	01
131	2613390-1	. SPACER .032 2024 T3	01
- 131A	2613390-2	. SPACER .032 2024 T3	01

- ITEM NOT ILLUSTRATED

CESSNA®
MODEL 208
 ILLUSTRATED PARTS CATALOG

A24714



DETAIL A

INSTRUMENT PANEL STRUCTURE
 FIGURE 05 (SHEET 1)

2613T1010
 A26132003

CESSNA®
MODEL 208
ILLUSTRATED PARTS CATALOG

FIG ITEM	PART NUMBER	NOMENCLATURE	UNITS PER ASSY		
			1	2	3
05		INSTRUMENT PANEL STRUCTURE			
-			0146	& ON	RF
			B0180	& ON	
1	2613011-2	PANEL .080 2024 T3	0146	0229	01
			B0180	B0340	
- 2	2619000-30	PANEL .080 2024 T3	0230	0260	01
			B0341	B588	
- 3	2619011-2	PANEL REFER TO NOTE 3	0240	0260	01
			B0365	B0588	
- 3A	2613462-5	PANEL ASSY REFER TO NOTE 3	0261	& ON	01
			B0589	& ON	
- 3C	2613463-1	PANEL ASSY-INSTRUMENT	0261	& ON	01
- 3D	2613463-3	PANEL ASSY-INSTRUMENT	B0589	& ON	01
4		CABIN VENTILATION-FWD REFER TO 21-21-00 FIGURE 01 .080 2024 T3			RF
- 4A	2613193-7	OUTLET ASSY-AIR	0261	& ON	02
			B0589	& ON	
5	2613011-78	PANEL .080 2024 T3	0001	0260	01
			B0001	B0588	
6		PANEL ASSY-LH FLIGHT REFER TO NOTE 1			RF
- 6A	2619000-29	PANEL ASSY-LH FLIGHT	0261	& ON	01
- 6B	2619000-28	PANEL ASSY-LH FLIGHT	B0589	& ON	01
7	AN525-832R8	SCREW-LH FLIGHT PANEL ASSY ATTACH			10
- 8	NAS1149FN816P	WASHER-LH FLIGHT PANEL ASSY ATTACH			10
9	2613011-55	BRACKET .040 2024 T3			02
10	2613011-56	BRACKET .040 2024 T3			02
11	MS21047L08	NUTPLATE			02
12		PANEL ASSY-RH FLIGHT REFER TO NOTE 1	0001	0260	RF
			B0001	B0588	
- 12A	2675010-1	PANEL ASSY-RH FLIGHT	0261	& ON	01
			B0588	& ON	
13	AN525-832R8	SCREW-RH FLIGHT PANEL ASSY ATTACH			09
- 14	NAS1149FN816P	WASHER-RH FLIGHT PANEL ASSY ATTACH			09
15	2613011-55	BRACKET .040 2024 T3			02
16	2613011-56	BRACKET .040 2024 T3			02
17	2613186-1	TUBE-SLIDE .049X.625DIA 2024 T3			04
18	MS20392-1C25	PIN			04
19	NAS70A128-313	WASHER			04
20	MS24665-132	COTTER PIN			04
21	2613011-5	PANEL-UPPER .080 2024 T3			01
22		PANEL ASSY-RADIO REFER TO NOTE 1			RF
- 22A	2619000-13	PANEL ASSY-RADIO	0261	& ON	01
			B0589	& ON	
23	AN525-832R8	SCREW-RADIO PANEL ASSY ATTACH			09
- 24	NAS1149FN816P	WASHER-RADIO PANEL ASSY ATTACH			09
25	2613330-6	SUPPORT-LH .032 2024 T3			01
26	2613331-5	SUPPORT-CENTER .032 2024 T3	0155	& ON	01
			B0180	& ON	
- 26A	2613331-6	SUPPORT-CENTER .032 2024 T3	B0419	& ON	01
27	2613330-7	SUPPORT-RH .032 2024 T3			01
28	2613326-3	PANEL ASSY-RH			01
29	MS21051L08	NUTPLATE			04
30	2513546-1	ANGLE ASSY .025 2024 T42			02
- 31	NAS682A08K	NUTPLATE			03
32	2613011-93	PANEL-LOWER CENTER FSO 2613011-103	0146	0179	NP
			B0180	B0209	
- 33	2613011-103	PANEL-LOWER CENTER .080 2024 T3	0180	& ON	01
			B0210	& ON	
34	2613326-7	PANEL ASSY-LOWER LH .080 2024 T3			01
- 35	MS21047L08	NUTPLATE			01
36	2613011-59	PLATE-SWITCH ASSY .063 2024 T3 FSO 2613011-94			NP
- 36A	2613011-94	PLATE-SWITCH ASSY .063 2024 T3			01
- 36B	2613011-109	PLATE-SWITCH ASSY .063 2024 T3 REFER TO NOTE 2			01
- 36C	2613011-119	PLATE ASSY-SWITCH-LAA .063 2024 T3 REFER TO NOTE 4			01
37	AN525-832R8	SCREW-SWITCH PLATE ATTACH			03
- 38	NAS1149FN816P	WASHER-SWITCH PLATE ATTACH			03
- 39	MS24693-S49	SCREW-SWITCH PLATE ATTACH			05
40	MS21047L08	NUTPLATE			01
41	MS21051L08	NUTPLATE			01
42		FORWARD FUSELAGE STRUCTURE REFER TO 53-10-01 FIGURE 01			RF

NOTE 1—PROVIDE AIRPLANE MODEL AND SERIAL NUMBER WHEN ORDERING THIS PART.

NOTE 2—AIRPLANES -0381 AND ON -B1086 AND ON AND -0001 THRU -0380 AND -B0001 THRU -B1085 INCORPORATING SK208-146.

NOTE 3—USED ON BRITISH CERTIFIED AIRPLANES

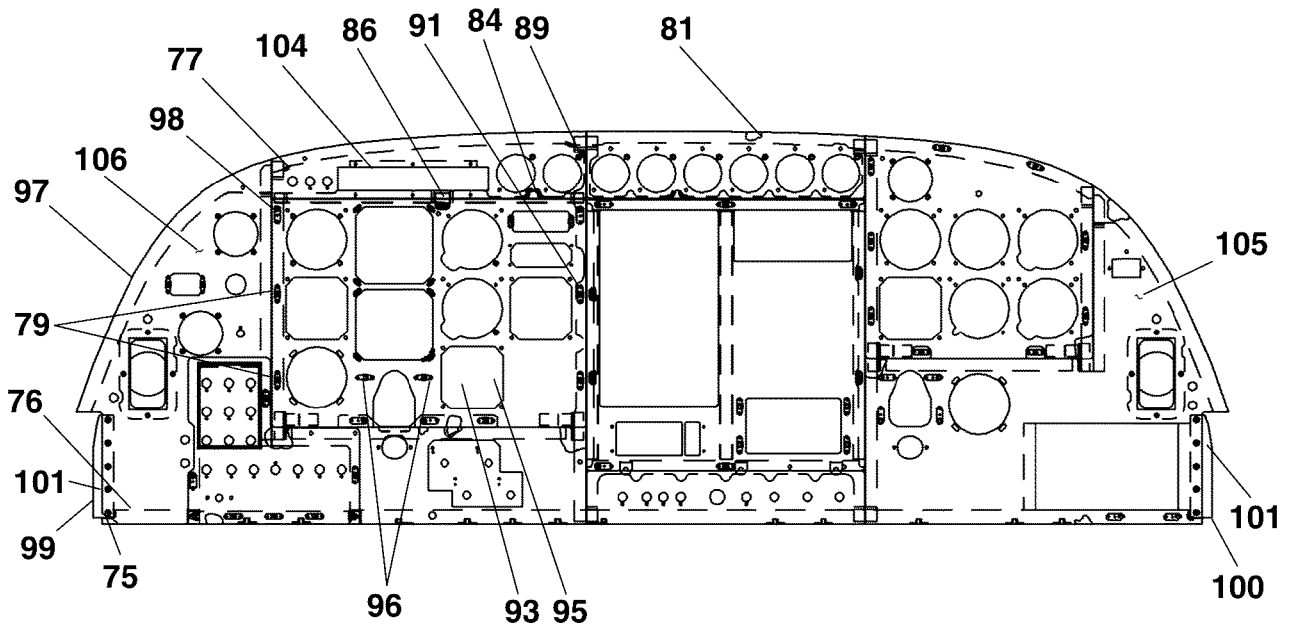
NOTE 4—AIRPLANES -B1314 AND AIRPLANES -B0001 THRU -B1999 INCORPORATING SK208-174.

R

- ITEM NOT ILLUSTRATED

CESSNA®
MODEL 208
ILLUSTRATED PARTS CATALOG

A24715



2613T1010

INSTRUMENT PANEL STRUCTURE
FIGURE 05 (SHEET 2)

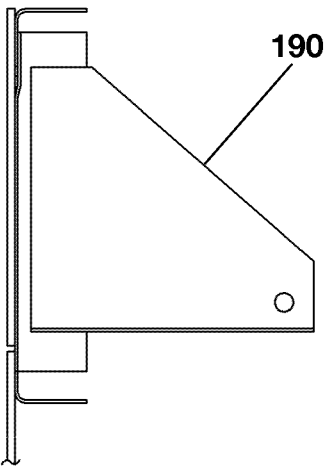
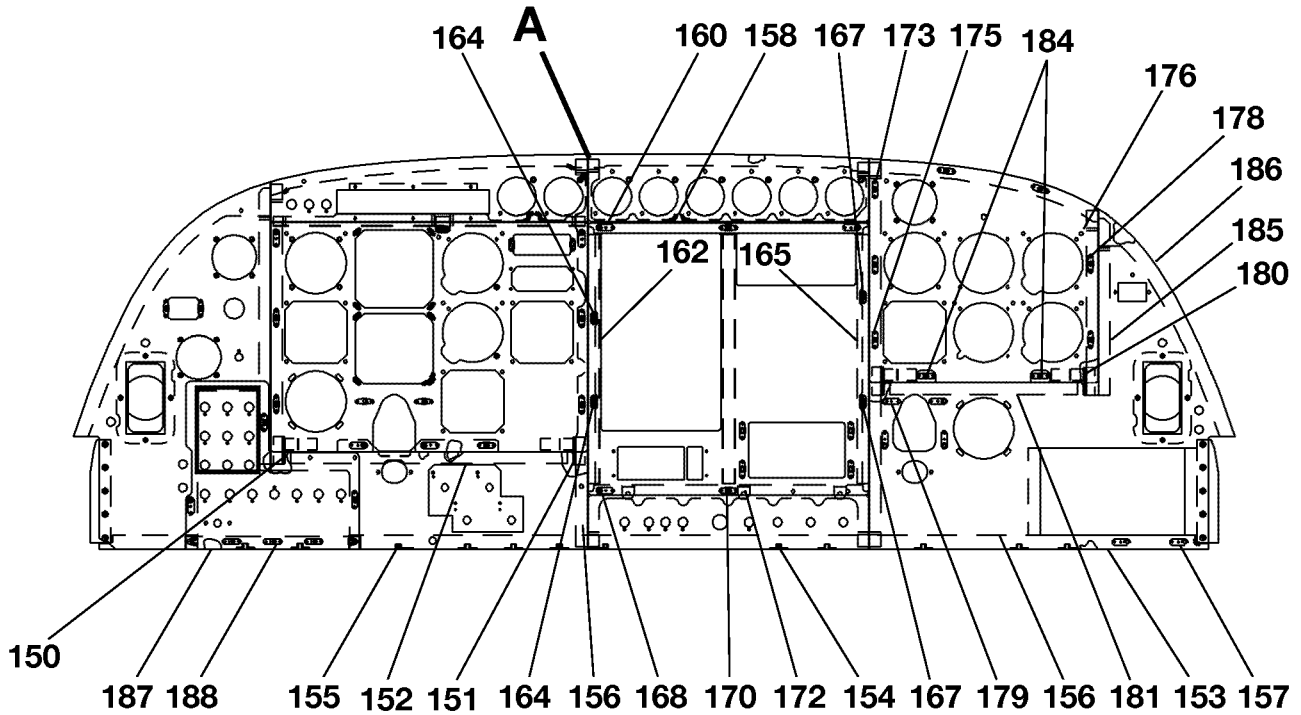
CESSNA®
MODEL 208
ILLUSTRATED PARTS CATALOG

FIG ITEM	PART NUMBER	NOMENCLATURE	UNITS	
			PER	ASSY
05				
75	2613011-96	. ANGLE ASSY .032 2024 T3		01
76	S2300-24	. . BRACKET		01
77	2613011-39	. ANGLE ASSY-SUPPORT FSO 2613011-19	0146 0200	NP
- 78	2613011-19	. ANGLE ASSY-SUPPORT .032 2024 T3	B0180 B0249	
			0201 & ON	01
			B0250 & ON	
79	MS21047L08K	. . NUTPLATE		02
- 80	NAS682A08K	. . NUTPLATE		01
81	2613011-9	. ANGLE ASSY-SUPPORT FSO 2613011-111	0146 0200	NP
- 82	2613011-31	. ANGLE ASSY-SUPPORT FSO 2613011-111	B0180 B0249	
			0201 0381	NP
			B0250 B1086	
- 82A	2613011-111	. ANGLE ASSY-SUPPORT	0382 & ON	01
			B1087 & ON	
- 83	MS21047L08K	. . NUTPLATE	0146 0200	02
- 83A	MS21075L08	. . NUTPLATE FSO MS21075L08E	B0180 B0249	
			0201 0381	NP
			B0250 B1086	
- 83B	MS21075L08E	. . NUTPLATE	0382 & ON	02
			B1087 & ON	
84	2613011-79	. ANGLE ASSY FSO 2613011-77	0146 0200	NP
- 85	2613011-77	. ANGLE ASSY	B0180 B0249	
			0201 & ON	01
			B0250 & ON	
86	2613011-81	. . PLATE ASSY FSO 2613011-83	0146 0200	NP
- 87	2613011-83	. . PLATE ASSY .032 2024 T3	B0180 B0249	
			0201 & ON	01
			B0250 & ON	
- 88	MS21069L08K	. . . NUTPLATE		01
89	2613011-38	. ANGLE ASSY-SUPPORT FSO 2613011-22	0146 0200	NP
- 90	2613011-22	. ANGLE ASSY-SUPPORT .032 2024 T3	B0180 B0249	
			0201 & ON	01
			B0250 & ON	
91	MS21047L08K	. . NUTPLATE		02
- 92	NAS682A08K	. . NUTPLATE		01
93	2613117-1	. ANGLE ASSY FSO 2613117-3	0146 0200	NP
- 94	2613117-3	. ANGLE ASSY .032 2024 T3	B0180 B0249	
			0201 & ON	01
			B0250 & ON	
95	MS21047L08K	. . NUTPLATE		01
96	MS21051L08	. . NUTPLATE		02
97	2613011-35	. ANGLE-SUPPORT .032 2024 T42		01
98	2613011-33	. ANGLE-SUPPORT .032 2024 T3		01
99	2613011-25	. BRACKET-SUPPORT ,063 2024 T42		01
100	2613011-26	. BRACKET-SUPPORT ,063 2024 T42		01
		ATTACHING PARTS		
101	MS24693-S49	. SCREW		05
- 102	NAS1149DN816H	. WASHER		05
- 103	MS21044N08	. NUT		05
		—*—		
104	2613390-1	. SPACER	0261 0381	01
			B0589 B1086	
- 104A	2613390-2	. SPACER	0382 & ON	01
			B1087 & ON	
105	2613462-1	. PANEL ASSY	0261 & ON	01
			B0589 & ON	
106	2613462-3	. PANEL ASSY FSO 2613462-13	0261 0381	NP
			B0589 B1086	
- 107	2613462-5	. PANEL ASSY FSO 2613462-13	0261 0381	NP
			B0589 B1086	
- 107A	2613462-13	. PANEL ASSY	0382 & ON	01
			B1087 & ON	
- 107B	2613462-17	. PANEL ASSY-TKS		01
- 108	2613462-15	. PANEL ASSY	0382 & ON	01
			B1087 & ON	

- ITEM NOT ILLUSTRATED

CESSNA®
MODEL 208
 ILLUSTRATED PARTS CATALOG

A24716



DETAIL A

INSTRUMENT PANEL STRUCTURE
 FIGURE 05 (SHEET 3)

2613T1010
 A2613T1009

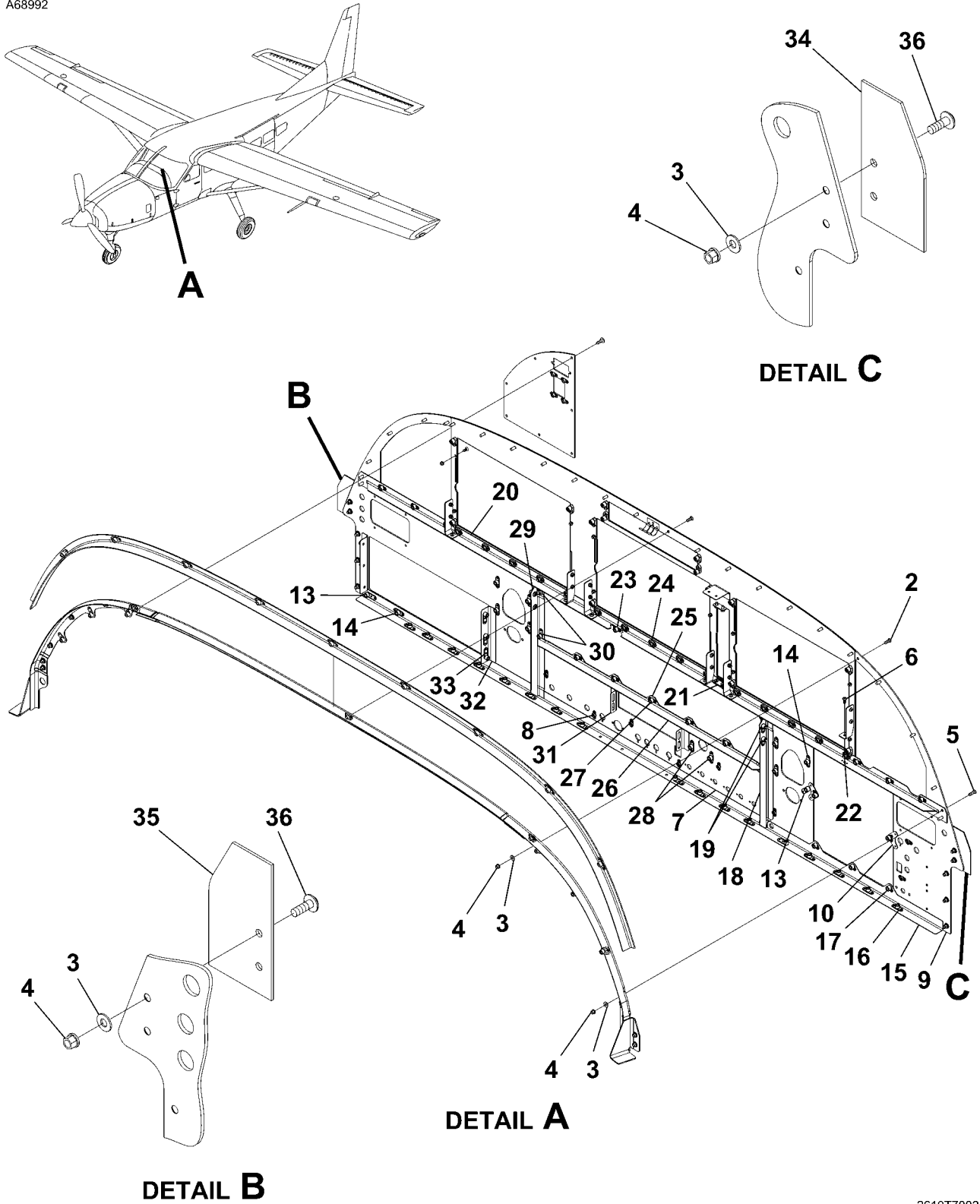
CESSNA®
MODEL 208
ILLUSTRATED PARTS CATALOG

FIG ITEM	PART NUMBER	NOMENCLATURE	UNITS PER ASSY																	
			1	2	3	4	5	6	7											
05																				
150	2613011-85	. BRACKET LH .032 2024 T3																		01
151	2613011-89	. BRACKET RH .032 2024 T42																		01
152	2613316-1	. SUPPORT .032 2024 T42																		01
153	2613011-100	. ANGLE ASSY FSO 2613011-116																		NP
- 153A	2613011-116	. ANGLE ASSY																		01
154	MS21047L08K	. NUTPLATE																		09
155	NAS682A08K	. NUTPLATE																		03
- 155A	NAS682A08K	. NUTPLATE																		04
156	S2300-24	. BRACKET																		02
157	NAS682A3	. NUTPLATE																		02
158	2613011-18	. BRACKET ASSY-SUPPORT FSO 2613011-76																		NP
- 159	2613011-76	. BRACKET ASSY-SUPPORT .032 2024 T42																		01
- 159A	2613011-113	. BRACKET ASSY-SUPPORT .032 2024 T42																		01
160	NAS682A08K	. NUTPLATE																		02
- 161	MS21047L08K	. NUTPLATE																		01
162	2613332-1	. ANGLE ASSY-LH FSO 2613332-5																		NP
- 163	2613332-5	. ANGLE ASSY-LH .032 2024 T3																		01
164	MS21069L08K	. NUTPLATE																		02
165	2613332-2	. ANGLE ASSY-RH FSO 2613332-6																		NP
- 166	2613332-6	. ANGLE ASSY-RH .032 2024 T3																		01
167	MS21069L08K	. NUTPLATE																		02
168	2613011-98	. BRACKET ASSY FSO 2613011-68																		NP
- 169	2613011-68	. BRACKET ASSY .032 2024 T3																		01
170	MS21047L08K	. NUTPLATE																		01
- 171	NAS682A08K	. NUTPLATE																		01
172	AN743-12	. BRACKET																		03
173	2613011-15	. ANGLE ASSY-SUPPORT FSO 2613011-23																		NP
- 174	2613011-23	. ANGLE ASSY-SUPPORT .032 2024 T3																		01
175	MS21047L08K	. NUTPLATE																		03
176	2613011-12	. ANGLE ASSY-SUPPORT FSO 2613011-10																		NP
- 177	2613011-10	. ANGLE ASSY-SUPPORT .032 2024 T3																		01
178	MS21047L08K	. NUTPLATE																		02
179	2613011-85	. BRACKET LH .032 2024 T3																		01
180	2613011-41	. BRACKET RH .032 2024 T3																		01
181	2613011-42	. SUPPORT ASSY FSO 2613011-14																		NP
- 182	2613011-14	. SUPPORT ASSY																		01
- 183	2613011-57	. BRACKET ASSY .032 2024 T3																		02
184	MS21047L08K	. NUTPLATE																		02
185	2613011-30	. ANGLE-SUPPORT .032 2024 T3																		01
186	2613011-32	. ANGLE-SUPPORT .032 2024 T42																		01
187	2613011-60	. ANGLE ASSY .025 2024 T42 FSO 2613011-117																		NP
- 187A	2613011-117	. ANGLE ASSY .025 2024 T42																		01
188	MS21047L08K	. NUTPLATE																		05
- 189	MS21086L08K	. NUTPLATE																		02
- 189A	MS21086L08K	. NUTPLATE																		04
190	2613365-1	. SUPPORT .032 2024 T42																		01

- ITEM NOT ILLUSTRATED

CESSNA®
MODEL 208
ILLUSTRATED PARTS CATALOG

A68992



G1000 INSTRUMENT PANEL
FIGURE 06 (SHEET 1)

2610T7002
A-C2618T1414

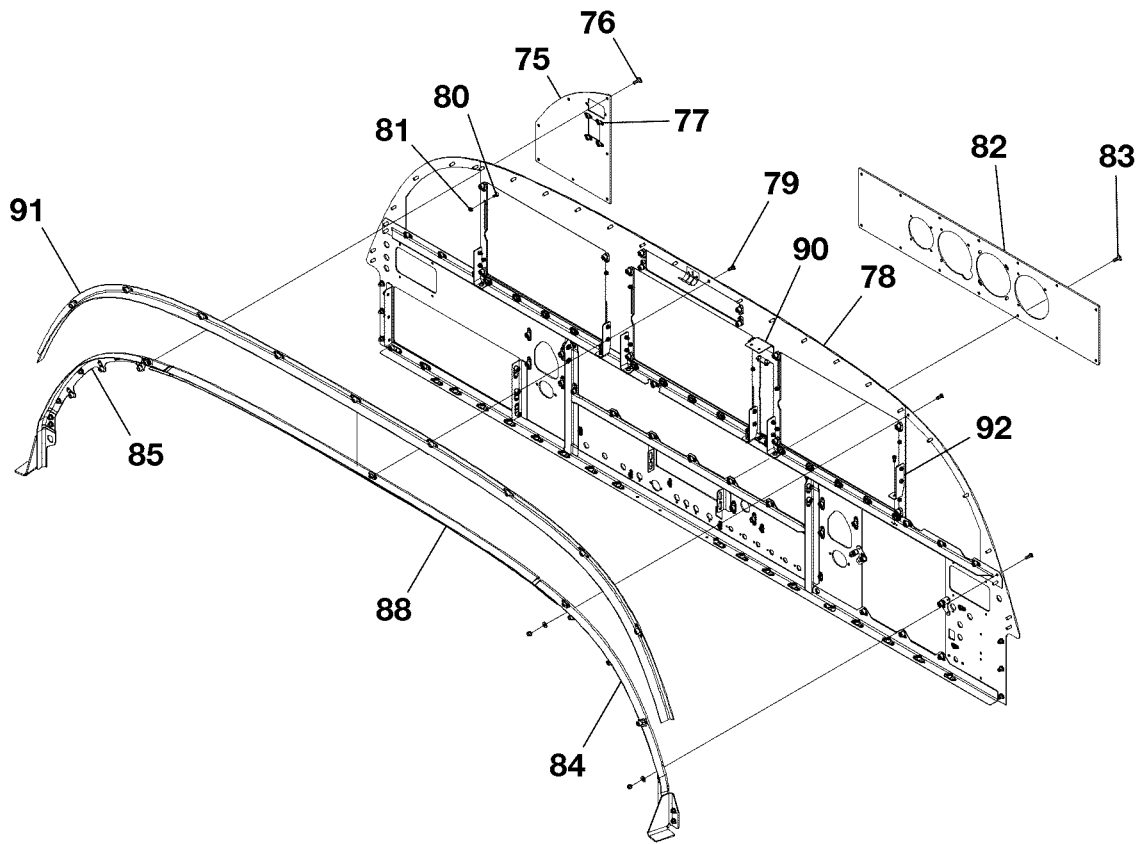
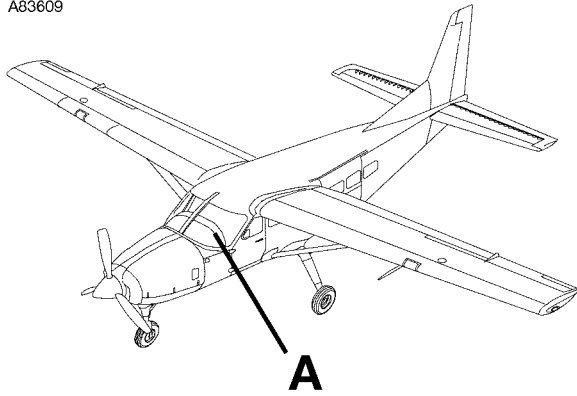
CESSNA®
MODEL 208
ILLUSTRATED PARTS CATALOG

FIG ITEM	PART NUMBER	NOMENCLATURE	UNITS PER ASSY		
			1	2	3
06		G1000 INSTRUMENT PANEL	0500	& ON	RF
-			B2000	& ON	
- 1	2613470-21	INSTRUMENT PANEL ASSY-G1000 FSO 2613470-37	0500	0504	NP
			B2000	B2066	
- 1A	2613470-32	INSTRUMENT PANEL ASSY-G1000 FSO 2613470-37	0505	0531	NP
			B2067	B2273	
- 1B	2613470-37	INSTRUMENT PANEL ASSY-G1000	0532	0650	01 R
			B2274	B5500	
- 1C	2613470-52	INSTRUMENT PANEL ASSY-G1000	0651	& ON	01 R
- 1D	2613470-41	INSTRUMENT PANEL ASSY-G1000	B5000	B5500	01 R
- 1E	2613470-54	INSTRUMENT PANEL ASSY-G1000	B5501	& ON	01 R
2	MS24693-S49	SCREW-INSTRUMENT PANEL ASSY ATTACH			14
3	NAS1149FN832P	WASHER-INSTRUMENT PANEL ASSY ATTACH			22
4	MS21044N08	NUT-INSTRUMENT PANEL ASSY ATTACH			22
5	MS24693-S50	SCREW-INSTRUMENT PANEL ASSY ATTACH			04
6	MS35206-242	SCREW-INSTRUMENT PANEL ASSY ATTACH			06
7	2613470-6	PANEL-CENTER FSO 2613470-38	0500	0504	NP
			B2000	B2066	
- 7A	2613470-34	PANEL-CENTER FSO 2613470-38	0505	0531	NP
			B2067	B2273	
- 7B	2613470-38	PANEL-CENTER	0532	& ON	01
			B2274	& ON	
8	MS21069L04	NUTPLATE			08
9	2613470-5	PANEL-LH FSO 2613470-33	0500	0504	NP
			B2000	B2066	
- 9A	2613470-33	PANEL-LH FSO 2613470-39	0505	0531	NP
			B2067	B2273	
- 9B	2613470-39	PANEL-LH	0532	& ON	01
			B2274	B4999	
- 9C	2613470-45	PANEL-LH	B5000	& ON	01
10	2613470-17	NUTPLATE TAB ASSY			02
- 11	MS21073L08	NUTPLATE			01
- 12	2613470-18	NUTPLATE TAB			01
13	MS21051L3	NUTPLATE			02
14	MS21047L3	NUTPLATE			12
15	2613470-13	LOWER ANGLE ASSY	0500	& ON	01
			B2000	B4999	
- 15A	2613470-46	LOWER ANGLE ASSY	B5000	& ON	01
16	MS21047L08	NUTPLATE			16
17	MS21073L08	NUTPLATE			03
18	2613470-7	VERTICAL STIFFENER ASSY-LH			01
19	MS21071L08	NUTPLATE			04
20	2613470-22	HORIZONTAL STIFFENER ASSY	0500	0650	01 R
			B2000	B5500	
- 20A	2613470-55	HORIZONTAL STIFFENER ASSY	0651	& ON	01 R
			B5501	& ON	
21	011-01001-00	NUTPLATE ASSY			01
22	MS21069L06	NUTPLATE			06
23	MS21069L08	NUTPLATE			14
24	MS21075L08N	NUTPLATE			15
25	2613470-15	CENTER STIFFENER ASSY			01
26	2613470-16	CENTER STIFFENER			01
27	MS21069L08	NUTPLATE			05
28	MS21047L3	NUTPLATE			04
29	2613470-8	VERTICAL STIFFENER ASSY-RH			01
30	MS21071L08	NUTPLATE			04
31	2613470-4	RADIO SUPPORT FSO 2613470-35	0500	0504	NP
			B2000	B2066	
- 31A	2613470-35	RADIO SUPPORT	0505	& ON	02
			B2067	& ON	
32	2613470-19	GLOVEBOX BRACKET ASSY			02
33	MS21051L08	NUTPLATE			03
34	2613470-49	GLARESHIELD CLOSEOUT-LH	0567	& ON	01
			B5158	& ON	
35	2613470-50	GLARESHIELD CLOSEOUT-RH	0567	& ON	01
			B5158	& ON	
36	MS24693-S49	SCREW	0500	0562	04
			B5000	B5126	
- 36A	MS27039C0808	SCREW	0563	0566	04
			B5127	B5157	
- 36B	NAS8302-8	SCREW	0567	& ON	04
			B5158	& ON	
- 37	NAS1149FN816P	WASHER	0563	0566	04
			B5127	B5157	

- ITEM NOT ILLUSTRATED

CESSNA®
MODEL 208
ILLUSTRATED PARTS CATALOG

A83609



DETAIL A

G1000 INSTRUMENT PANEL
FIGURE 06 (SHEET 2)

2610T7002
A2618T1414

CESSNA®
MODEL 208
ILLUSTRATED PARTS CATALOG

FIG ITEM	PART NUMBER	NOMENCLATURE	UNITS PER ASSY	
			1 2 3 4 5 6 7	
06				
75	2613471-16	. SUB-PANEL ASSY-RH		01
76	AN525-832R8	. SCREW-SUB-PANEL ASSY ATTACH.		07
77	MS21069L06	. NUTPLATE		04
78	2613471-18	. SUB-PANEL ASSY-DISPLAY FSO 2613471-35 REFER TO NOTE 1	B2000 B2225	01
- 78A	2613471-29	. SUB-PANEL ASSY-DISPLAY FSO 2613471-35 REFER TO NOTE 1	B2226 B5145	01
- 78B	2613471-19	. SUB-PANEL ASSY-DISPLAY FSO 2613471-35 REFER TO NOTE 2	0500 0523	01
- 78C	2613471-30	. SUB-PANEL ASSY-DISPLAY FSO 2613471-35 REFER TO NOTE 2	0524 0564	01
- 78D	2613471-26	. SUB-PANEL ASSY-DISPLAY-LAA FSO 2613471-35 REFER TO NOTE 3	B2000 B2225	01
- 78E	2613471-32	. SUB-PANEL ASSY-DISPLAY-LAA FSO 2613471-35 REFER TO NOTE 3	B2226 B5145	01
- 78F	2613471-27	. SUB-PANEL ASSY-DISPLAY-LAA FSO 2613471-35 REFER TO NOTE 4	0505 0523	01
- 78G	2613471-33	. SUB-PANEL ASSY-DISPLAY-LAA FSO 2613471-35 REFER TO NOTE 4	0524 0564	01
- 78H	2613471-35	. SUB-PANEL ASSY-DISPLAY 1X AUDIO FSO 2613471-43	0564 0584	NP
			B5146 B5291	
- 78J	2613471-43	. SUB-PANEL ASSY-DISPLAY 1X AUDIO	0585 & ON	01
			B5292 & ON	
- 78K	2613471-37	. SUB-PANEL ASSY-DISPLAY 2X AUDIO FSO 2613471-45	0564 0584	NP
			B5146 B5291	
- 78L	2613471-45	. SUB-PANEL ASSY-DISPLAY 2X AUDIO	0585 & ON	01
			B5292 & ON	
79	MS24693-S49	. SCREW-SUB-PANEL ASSY ATTACH.		29
80	MS24693-S25	. SCREW-SUB-PANEL ASSY ATTACH.		12
81	MS21042L06	. NUT-SUB-PANEL ASSY ATTACH		12
82	2613471-5	. SUB-PANEL-STANDBY INDICATORS		01
- 82A	2613471-6	. SUB-PANEL-STANDBY INDICATORS W/HF	B5302 B5302	01 R
			B5305 B5305	
			B5320 B5320	
			B5322 B5322	
			B5329 B5329	
			B5332 B5332	
			B5337 B5337	
			B5339 B5339	
		ATTACHING PARTS		
83	AN525-832R8	. SCREW		14
84	2613472-3	. PANEL SUPPORT ASSY - LH	0500 0641	01
			B2000 B5451	
- 84A	2613472-21	. PANEL SUPPORT ASSY - LH	0615 & ON	01
			B5452 & ON	
85	2613472-14	. PANEL SUPPORT ASSY - RH	0500 0641	01
			B2000 B5451	
- 85A	2613472-23	. PANEL SUPPORT ASSY - RH	0615 & ON	01
			B5452 & ON	
- 86	MS21075L08N	. NUTPLATE		01
- 87	MS21071L08	. NUTPLATE		03
88	2613472-7	. PANEL SUPPORT ASSY - CENTER		01
- 89	MS21075L08N	. NUTPLATE		12
90	2613471-34	. BRACKET-CVDR MICROPHONE		01
91		. GLARESHIELD ANGLE ASSY REFER TO 53-30-00 FIGURE 03		RF
92		. G1000 RACK ASSY REFER TO 53-22-02 FIGURE 01		RF
- 93	CM2691-15S1S	. PLUG BUTTON-CVDR CUTOUT INSTALLATION	0564 & ON	01
			B5146 & ON	
- 94	S4054-1E	. PLUG BUTTON ASSY-TKS CUTOUT INSTALLATION	0564 & ON	01
			B5146 & ON	
- 95	S4402-2	. PLACARD-MAX SPEED 208	0564 & ON	01
- 96	S4402-1	. PLACARD-MAX SPEED 208B	B5146 & ON	01

NOTE 1—WHEN REPLACING THE EXISTING PANEL WITH THE 2613471-35, YOU MUST ALSO ORDER 1 EACH 2613471-39, 2613471-40, AND 2613471-42

NOTE 2—WHEN REPLACING THE EXISTING PANEL WITH THE 2613471-35, YOU MUST ALSO ORDER 1 EACH 2613471-39, 2613471-40, AND 2613471-41

NOTE 3—WHEN REPLACING THE EXISTING PANEL WITH THE 2613471-35, YOU MUST ALSO ORDER 1 EACH 2613471-39 AND 2613471-42

NOTE 4—WHEN REPLACING THE EXISTING PANEL WITH THE 2613471-35, YOU MUST ALSO ORDER 1 EACH 2613471-39 AND 2613471-41

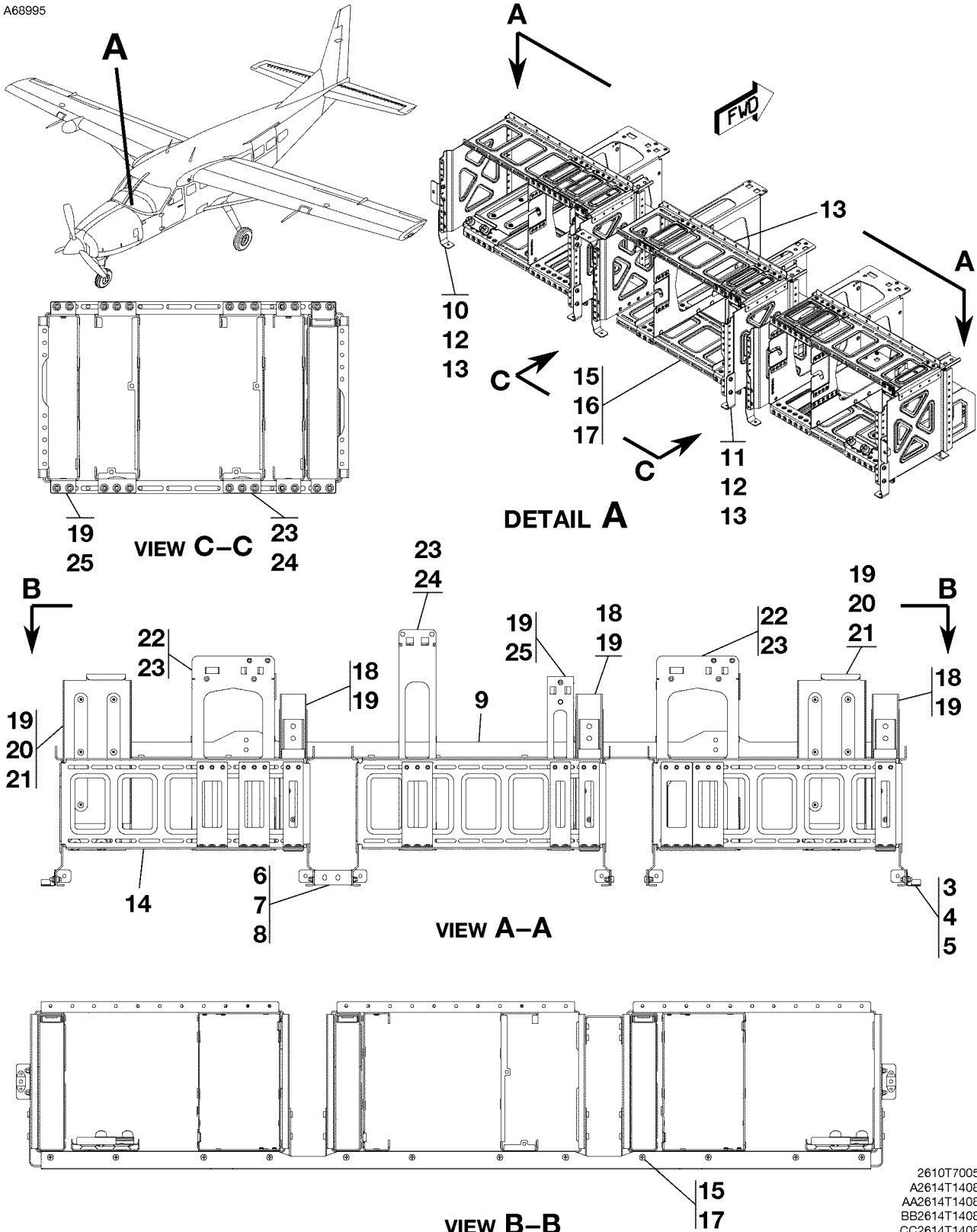
CESSNA®
MODEL 208
 ILLUSTRATED PARTS CATALOG

FIG ITEM	PART NUMBER	NOMENCLATURE	UNITS PER ASSY		
			1	2	3
06					
150		. GARMIN RACK ASSY REFER TO 53-22-02 FIGURE 01			RF
		ATTACHING PARTS			
151	115-00427-00	. MOUNTING RACK	0500 B2000	0650 B5500	01 R
151A	115-00427-00	. MOUNTING RACK	0651 B5501	& ON & ON	02 R
152	011-01019-00	. NUTPLATE KIT	0500 B2000	0650 B5500	01 R
- 152A	011-01019-00	. NUTPLATE KIT	0651 B5501	& ON & ON	02 R
153	MS35206-242	. SCREW			06
		—*—			
154	2613469-11	. BRACKET ASSY FIREWALL LH			01
155	2613469-12	. BRACKET ASSY FIREWALL RH			01
156	MS21071L08	. . NUTPLATE			01
157	MS21069L08	. . NUTPLATE			01
- 158	2613469-13	. . BRACKET LH			01
- 159	2613469-14	. . BRACKET RH			01
160	2613469-19	. BEAM ASSY LH			01
161	2613469-18	. BEAM ASSY RH			01
162	MS21071L08	. . NUTPLATE			02
163	MS21069L06	. . NUTPLATE			02
- 164	2613469-20	. . BEAM RH			01
- 165	2613469-21	. . BEAM LH			01
166	AN525-832R7	. SCREW-BEAM ATTACH			08
167	MS35206-245	. SCREW-BEAM ATTACH			04
168	2613469-15	. ATTACH ANGLE LH			01
169	2613469-16	. ATTACH ANGLE RH			01

- ITEM NOT ILLUSTRATED

CESSNA®
MODEL 208
 ILLUSTRATED PARTS CATALOG

A68995



G1000 RACK ASSEMBLY
 FIGURE 01 (SHEET 1)

2610T7005
 A2614T1408
 AA2614T1408
 BB2614T1408
 CC2614T1408

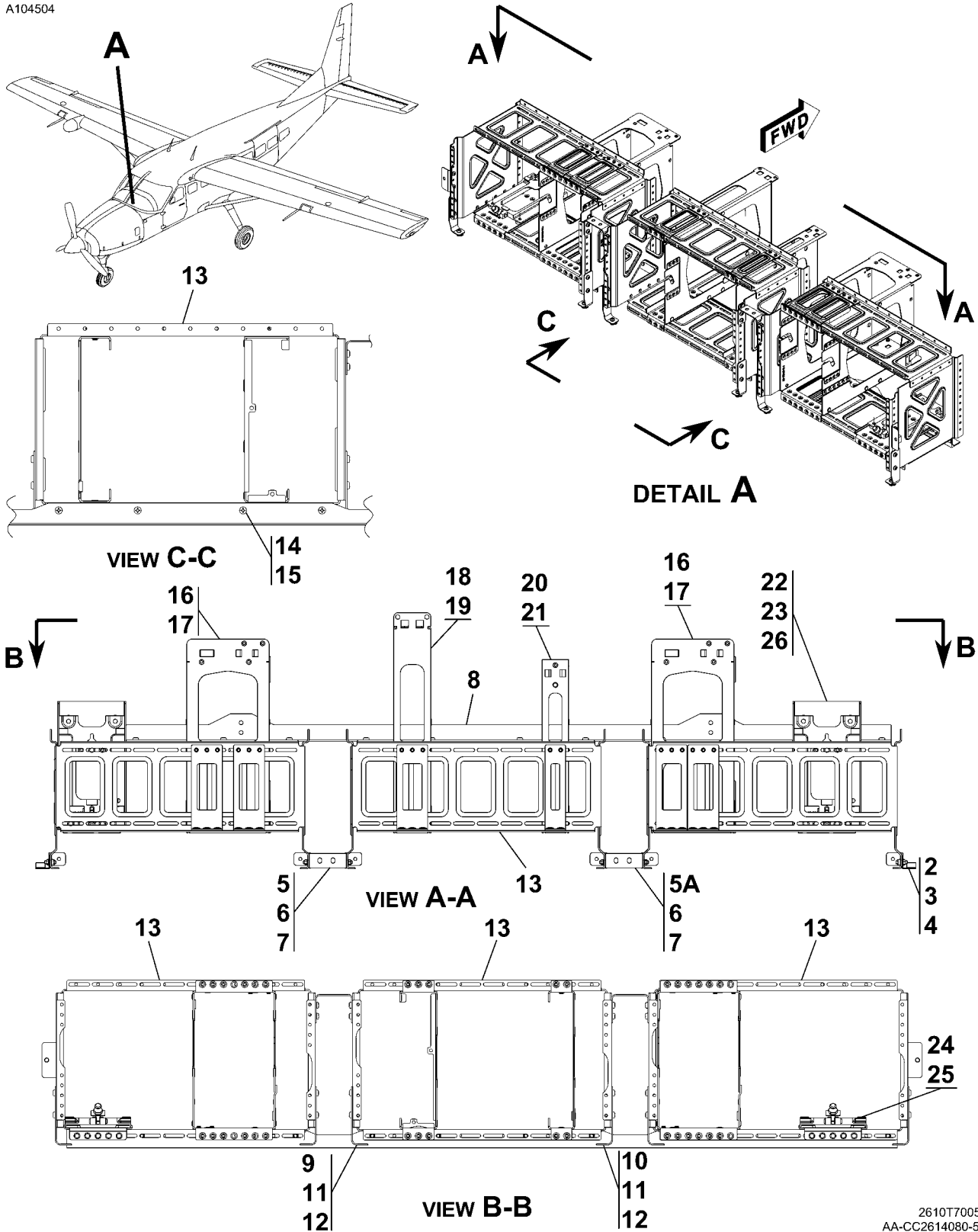
CESSNA®
MODEL 208
ILLUSTRATED PARTS CATALOG

FIG ITEM	PART NUMBER	NOMENCLATURE	UNITS PER ASSY		
			1	2	3
01		G1000 RACK ASSEMBLY	0001	0600	RF R
-			B2225	B5400	
- 1	2614080-11	. GARMIN RACK ASSY	0001	0523	01
			B0001	B2225	
- 2	2614080-13	. GARMIN RACK ASSY	0524	& ON	01
			B2226	& ON	
3	2614080-6	. . BRACKET ASSY-SUB PANEL			02
		ATTACHING PARTS			
4	MS35206-227	. . SCREW			04
5	MS21042L06	. . NUT			04
		—*—			
6	2614080-8	. . BRACKET-AUDIO PANEL			01
		ATTACHING PARTS			
7	MS35206-227	. . SCREW			04
8	MS21042L06	. . NUT			04
		—*—			
9	2614080-12	. . RACK SUPPORT-FWD			01
10	2614080-9	. . RACK SUPPORT CLIP-LH			01
11	2614080-10	. . RACK SUPPORT CLIP-RH			01
		ATTACHING PARTS			
12	MS35206-227	. . SCREW			06
13	MS21042L06	. . NUT			06
		—*—			
14	115-00413-00	. . G1000 SYSTEM RACK		V0TRC3	03
		ATTACHING PARTS			
15	MS35206-227	. . SCREW			32
16	NAS1149FN632P	. . WASHER			06
17	MS21042L06	. . NUT			06
		—*—			
18	115-00483-00	. . MOUNTING RACK		V0TRC3	03
			0001	0523	
			B0001	B2225	
19	011-00915-00	. . NUTPLATE KIT		V0TRC3	06
20	011-01011-00	. . MOUNTING RACK		V0TRC3	02
21	011-01014-00	. . MOUNTING HARDWARE		V0TRC3	02
22	115-00426-00	. . MOUNTING RACK		V0TRC3	02
23	011-00915-01	. . NUTPLATE KIT		V0TRC3	05
24	115-00438-00	. . MOUNTING RACK		V0TRC3	01
25	115-00411-00	. . MOUNTING RACK		V0TRC3	01
- 26	011-00890-00	. . HARNESS-SELF STOWING		V0TRC3	01

- ITEM NOT ILLUSTRATED

CESSNA®
MODEL 208
 ILLUSTRATED PARTS CATALOG

A104504



G1000 NXI RACK ASSEMBLY
 FIGURE 02 (SHEET 1)

2610T7005
 AA-CC2614080-5

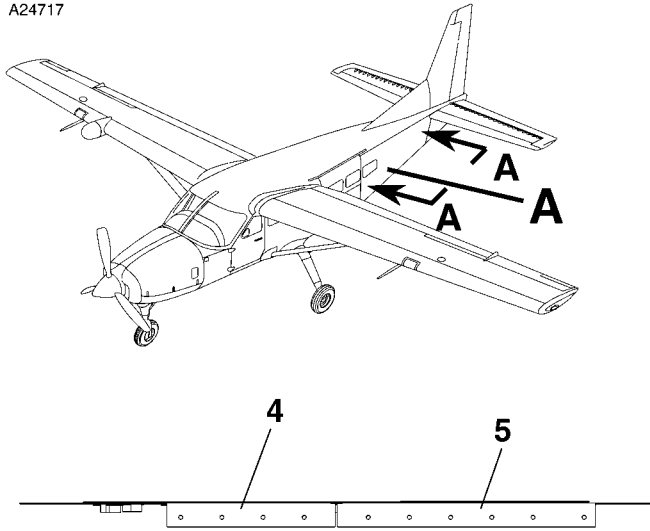
CESSNA®
MODEL 208
ILLUSTRATED PARTS CATALOG

FIG ITEM	PART NUMBER	NOMENCLATURE	UNITS PER ASSY		
			1	2	3
02		G1000 NXI RACK ASSEMBLY	0601	& ON	RF
-			B5401	& ON	
- 1	2614080-14	. GARMIN RACK ASSY	0601	0650	01 R
			B5401	B5500	
- 1A	2614080-16	. GARMIN RACK ASSY	0651	& ON	01 R
			B5501	& ON	
2	2614080-6	. . BRACKET ASSY-SUB PANEL			02
		ATTACHING PARTS			
3	MS35206-227	. . SCREW			04
4	MS21042L06	. . NUT			04
		—*—			
5	2614080-8	. . BRACKET-AUDIO PANEL	0601	0650	01 R
			B5401	B5500	
5A	2614080-8	. . BRACKET-AUDIO PANEL	0651	& ON	02 R
			B5501	& ON	
		ATTACHING PARTS			
6	MS35206-227	. . SCREW			04
7	MS21042L06	. . NUT			04
		—*—			
8	2614080-12	. . RACK SUPPORT-FWD			01
9	2614080-9	. . RACK SUPPORT CLIP-LH			01
10	2614080-10	. . RACK SUPPORT CLIP-RH			01
		ATTACHING PARTS			
11	MS35206-227	. . SCREW			06
12	MS21042L06	. . NUT			06
		—*—			
13	115-00413-00	. . G1000 SYSTEM RACK V0TRC3			03
		ATTACHING PARTS			
14	MS35206-227	. . SCREW			32
15	MS21042L06	. . NUT			06
		—*—			
16	115-00426-00	. . MOUNTING RACK V0TRC3			02
17	011-00915-01	. . NUTPLATE KIT V0TRC3			04
18	115-02250-00	. . MOUNTING RACK V0TRC3			01
19	011-00915-01	. . NUTPLATE KIT V0TRC3			01
20	115-00411-00	. . MOUNTING RACK V0TRC3			01
21	011-00915-00	. . NUTPLATE KIT V0TRC3			01
22	011-04220-00	. . GDC 72 REMOTE RACK V0TRC3			02
23	011-4125-00	. . MOUNTING HARDWARE V0TRC3			02
24	117-00834-00	. . GDC72 MOUNTING TRAY V0TRC3			01
25	115-02370-00	. . GDC72 SYSTEM RACK MOUNTING PLATE V0TRC3			01
26	011-00915-00	. . NUTPLATE KIT V0TRC3			01

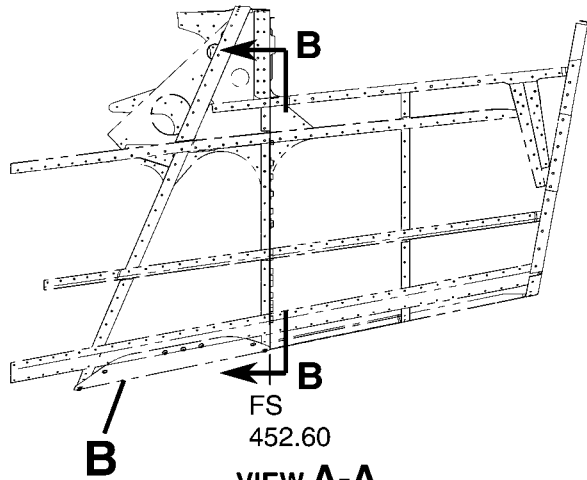
- ITEM NOT ILLUSTRATED

CESSNA®
MODEL 208
 ILLUSTRATED PARTS CATALOG

A24717

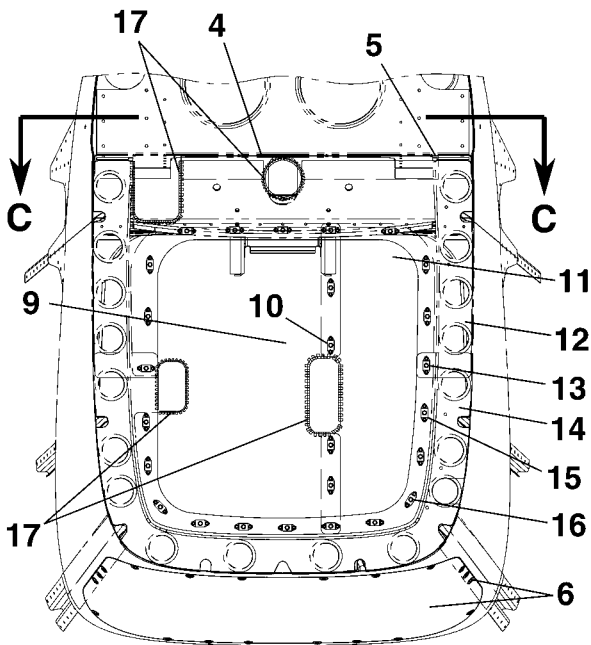


VIEW C-C



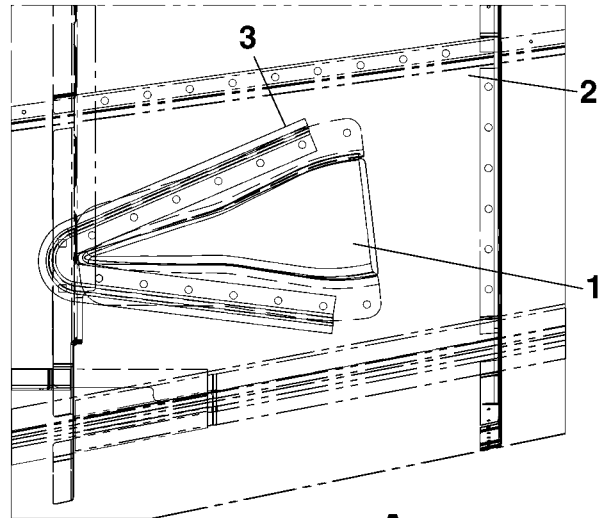
VIEW A-A

LIQUID BARRIER
 (VIEW LOOKING INBOARD,
 LEFT HAND SIDE)

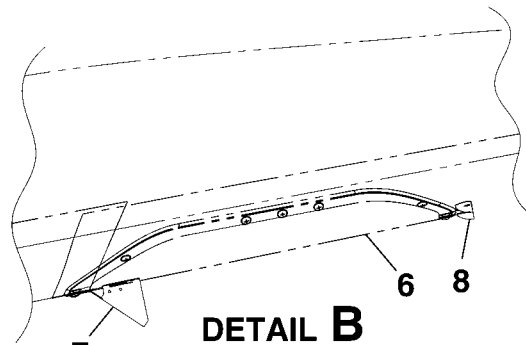


VIEW B-B

VIEW LOOKING FORWARD



DETAIL A



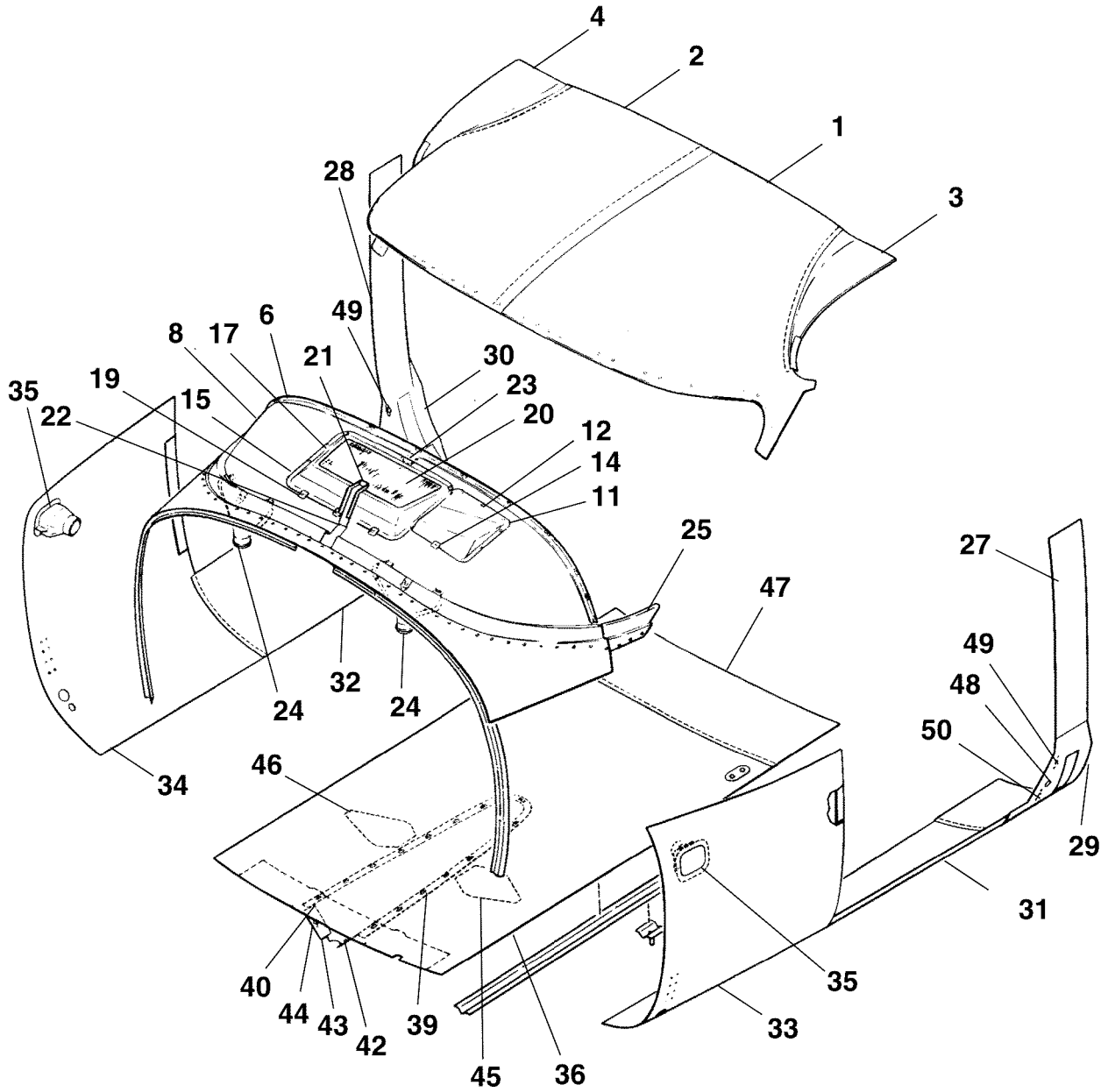
DETAIL B
 TAILCONE ACCESS DOOR

2610T7002
 AA2691T043-4
 BB2691T043-4

PLATES AND SKINS - TAILCONE VENTILATION AND DRAINAGE
 FIGURE 01 (SHEET 1)

CESSNA®
MODEL 208
ILLUSTRATED PARTS CATALOG

A24733



26133008B

FORWARD FUSELAGE SKINS AND COMPONENTS
FIGURE 01 (SHEET 1)

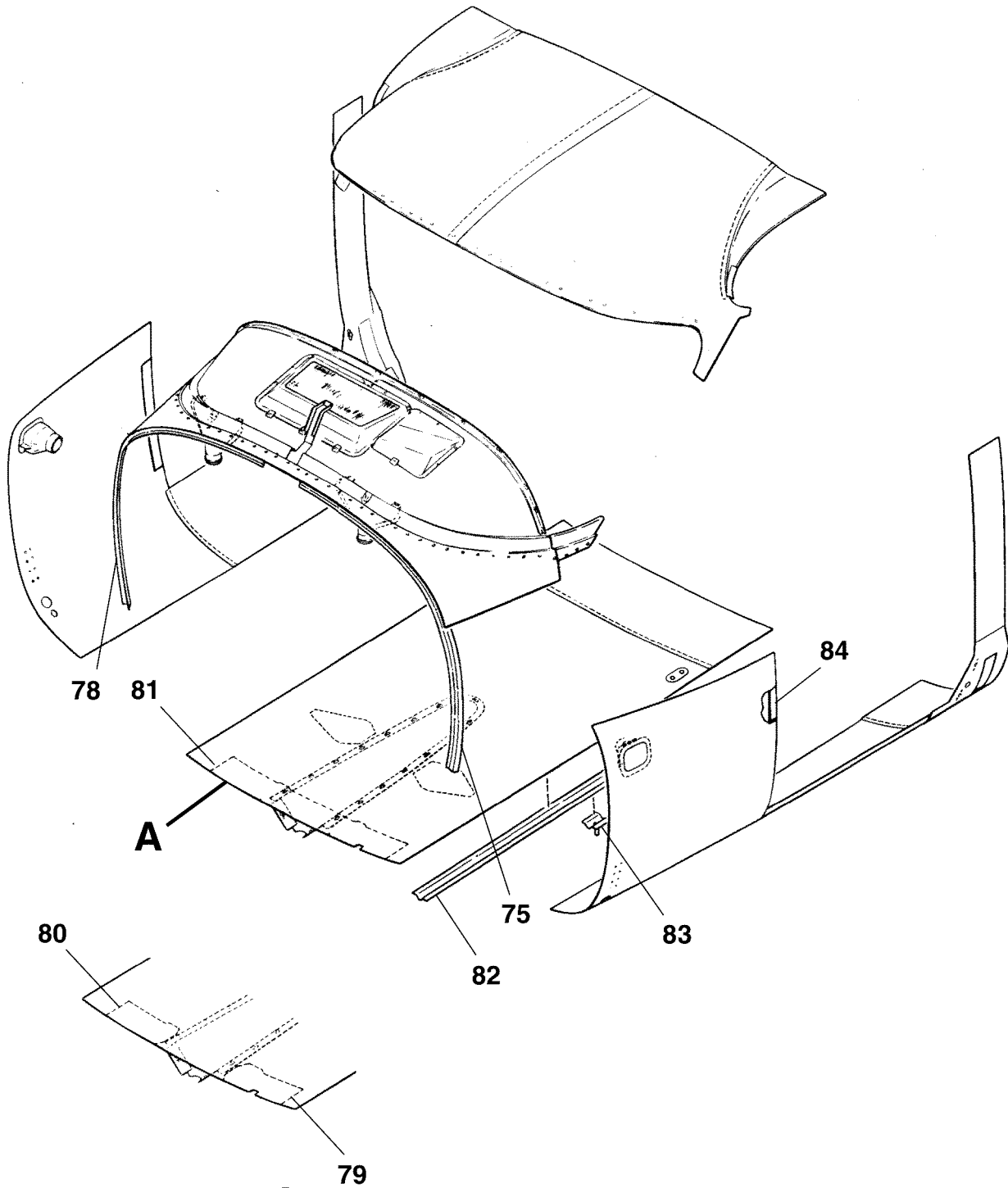
CESSNA®
MODEL 208
ILLUSTRATED PARTS CATALOG

FIG ITEM	PART NUMBER	NOMENCLATURE	UNITS PER ASSY		
			1	2	3
01		FORWARD FUSELAGE SKINS AND COMPONENTS	0001	0499	RF R
-					
1	2613000-11	. SKIN-UPR LH .032 2024 T42			01
2	2613000-12	. SKIN-UPR RH .032 2024 T42			01
3	2613025-3	. SKIN ASSY-LH UPR OUTBD .032 2024 T42			01
4	2613025-4	. SKIN ASSY-RH UPR OUTBD .032 2024 T42			01
- 5	Y8560	. POLYURETHANE TAPE BKI			AR
6	2613359-1	. ANGLE ASSY-GLARESHIELD ATTACH .063 2024 T42			01
- 7	MS21047L3	. NUTPLATE			13
8	2613177-1	. COWL DECK ASSY	0001	0095	01
- 9	2613177-35	. COWL DECK ASSY FSO 2613177-23	0096	0202	NP
- 10	2613177-23	. COWL DECK ASSY	0203	0499	01 R
11	2613287-1	. COVER-COWL DECK .032 2024 T42			01
		ATTACHING PARTS			
12	S1021Z6-5	. SCREW			07
- 13	S3241-2A	. NUTPLATE			07
14	2613177-15	. CLIP .032 2024 T3			01
		—*—			
15	2613177-11	. COVER ASSY-COWL DECK FSO 2613177-36	0001	0124	NP
- 16	2613177-36	. COVER ASSY-COWL DECK	0125	0499	01 R
		ATTACHING PARTS			
17	S1021Z6-5	. SCREW			07
- 18	S3241-2A	. NUTPLATE			07
19	2613177-19	. CLIP .032 2024 T3			03
		—*—			
20	2613177-18	. SCREEN			01
21	2613409-1	. SHIELD-WINDSHIELD CENTER POST .040 PVC	0125	0499	01 R
22	2613177-16	. DOUBLER-FWD .032 2024 T3	0001	0095	01
23	2613177-17	. DOUBLER-AFT .032 2024 T3			01
24		. NOZZLE-DEFROSTER REFER TO 21-22-00 FIGURE 01			RF
25	2613183-1	. RETAINER-WINDOW LH .025 2024 T42			01
- 26	2613183-2	. RETAINER-WINDOW RH .025 2024 T42			01
27	2613000-7	. SKIN-LH AFT DOOR POST	0001	0114	01 R
- 27A	2613000-33	. SKIN-LH AFT DOOR POST .032 2024 T3	0115	0499	01
28	2613000-8	. SKIN-RH AFT DOOR POST	0001	0114	01 R
- 28A	2613000-32	. SKIN-RH AFT DOOR POST .032 2024 T3	0115	0499	01
29	2613000-15	. DOUBLER-LH .040 2024 T42			01
30	2613000-16	. DOUBLER-RH .040 2024 T42			01
31	2613000-5	. SKIN-LH CTR FSO 2613000-39	0001	0219	NP R
- 31A	2613000-39	. SKIN-LH CTR .032 2024 T3	0220	0499	01
32	2613000-6	. SKIN-RH CTR FSO 2613000-40	0001	0219	NP R
- 32A	2613000-40	. SKIN-RH CTR .032 2024 T3	0220	0499	01
33	2613000-3	. SKIN-LH FWD .032 2024 T3			01
34	2613000-4	. SKIN-RH FWD .032 2024 T3			01
35		. AIR INLET REFER TO 21-21-00 FIGURE 01			RF
36	2613000-2	. SKIN-LWR FWD	0001	0013	01 R
- 36A	2613000-21	. SKIN-LWR FWD FSO 2613000-41	0014	0143	NP
- 37	2613000-35	. SKIN LWR FWD FSO 2613000-41	0144	0219	NP R
- 38	2613000-41	. SKIN LWR FWD .032 2024 T3 REFER TO NOTE 1	0220	0416	01 R
- 38A	2613000-42	. SKIN LWR FWD	0417	0499	01 R
39	NAS686A3K	. NUTPLATE NUTPLATE-FAIRING ATTACH			15
40	2613303-5	. PANEL ASSY-AFT NOSE GEAR SPRING W/O CARGO POD			01
		ATTACHING PARTS			
- 41	AN525-10R6	. SCREW			15
		—*—			
42	2613303-8	. STRIP ASSY-LH .032 2024 T3			01
43	2613303-9	. STRIP ASSY-RH .032 2024 T3			01
44	S2319-30	. RECEPTACLE			01
45	2613000-17	. DOUBLER-LH .040 2024 T3			01
46	2613000-18	. DOUBLER-RH .040 2024 T3			01
47	2613000-9	. SKIN-LWR AFT FSO 2613000-36	0001	0149	NP R
- 47A	2613000-36	. SKIN-LWR AFT .032 2024 T3	0150	0499	01 R
48	CM2692-24-1S	. PLUG BUTTON			01 R
49	MS21047L3	. NUTPLATE			02
50	NAS682A3	. NUTPLATE			01

NOTE 1—AIRPLANES -0001 THRU -0216 INCORPORATING SK208-90 AND -0217 & ON.

CESSNA®
MODEL 208
ILLUSTRATED PARTS CATALOG

A24734



DETAIL A

AIRPLANES 20800001 THRU 20800216
NOT INCORPORATING SK208-90

26133008B
A26133008A

FORWARD FUSELAGE SKINS AND COMPONENTS
FIGURE 01 (SHEET 2)

CESSNA®
MODEL 208
ILLUSTRATED PARTS CATALOG

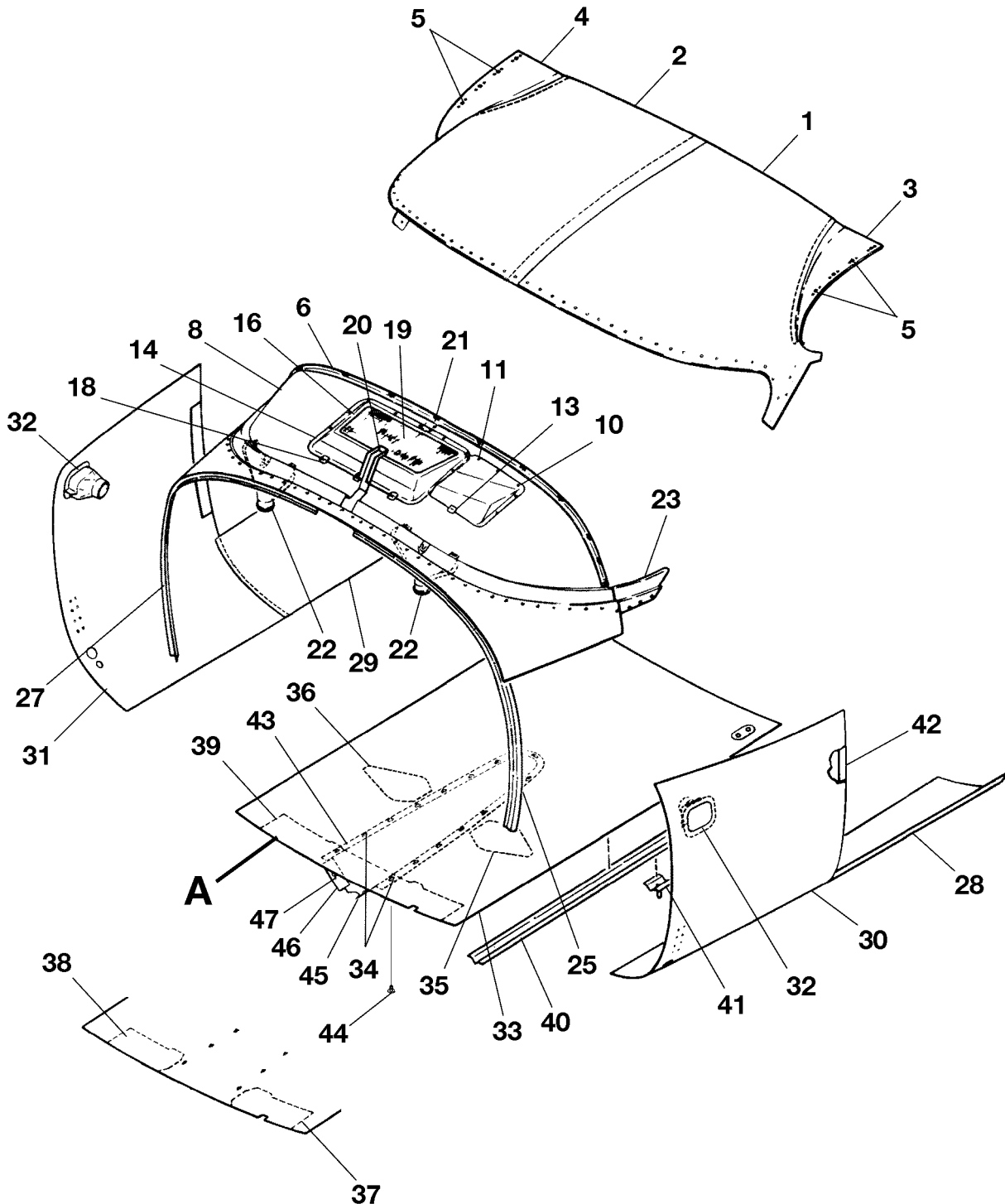
FIG ITEM	PART NUMBER	NOMENCLATURE	UNITS PER ASSY		
			1	2	3
01					
75	2613386-1	. FLANGE-FIREWALL SEAL LH FSO 2613448-1	0001	0044	NP
- 75A	2613386-3	. FLANGE-FIREWALL SEAL LH FSO 2613448-1	0045	0080	NP
- 76	2613386-11	. FLANGE-FIREWALL SEAL LH FSO 2613448-1	0081	0215	NP
- 77	2613448-1	. FLANGE-FIREWALL SEAL LH .016 302 ANNEALED	0216	0360	01
- 77A	2613448-3	. FLANGE RING - LH FIREWALL .016 302 ANNEALED	0361	0499	01
- 77B	2613386-2	. FLANGE-FIREWALL SEAL LH .016 302 ANNEALED	0001	0080	01
78	2613386-10	. FLANGE-FIREWALL SEAL RH .016 302 ANNEALED	0081	0360	01
- 78A	2613448-4	. FLANGE RING - RH FIREWALL .016 302 ANNEALED	0361	0499	01
79	2613000-19	. DOUBLER-LH .050 2024 T3	0014	0219	01
80	2613000-20	. DOUBLER-RH .050 2024 T3	0014	0219	01
81	2613451-1	. DOUBLER-LWR BELLY .050 2024 T3 REFER TO NOTE 1	0220	0416	01
- 81A	2613451-2	. DOUBLER-LWR BELLY	0417	0499	01 R
82	2601297-1	. GUTTER-CARGO POD FWD	0072	0090	01 R
- 82A	2601297-2	. GUTTER-CARGO POD FWD .040 6061 T6	0091	0395	01
83	2601295-1	. DOWN SPOUT ASSY-CARGO POD REFER TO NOTE 2	0072	0395	01 R
84	2613006-1	. SHIM SHIM .063 2024 T3			02

NOTE 1—AIRPLANES -0217 & ON AND AIRPLANES -0001 THRU -0216 INCORPORATING SK208-90.

NOTE 2—AIRPLANES -0001 THRU -0017 INCORPORATING SK208-10.

CESSNA®
MODEL 208
ILLUSTRATED PARTS CATALOG

A24735



DETAIL A

AIRPLANES 208B0001 THRU 208B0311
NOT INCORPORATING SK208-90

FORWARD FUSELAGE SKINS AND COMPONENTS
FIGURE 02 (SHEET 1)

26133006B
A26133006A

CESSNA®
MODEL 208
ILLUSTRATED PARTS CATALOG

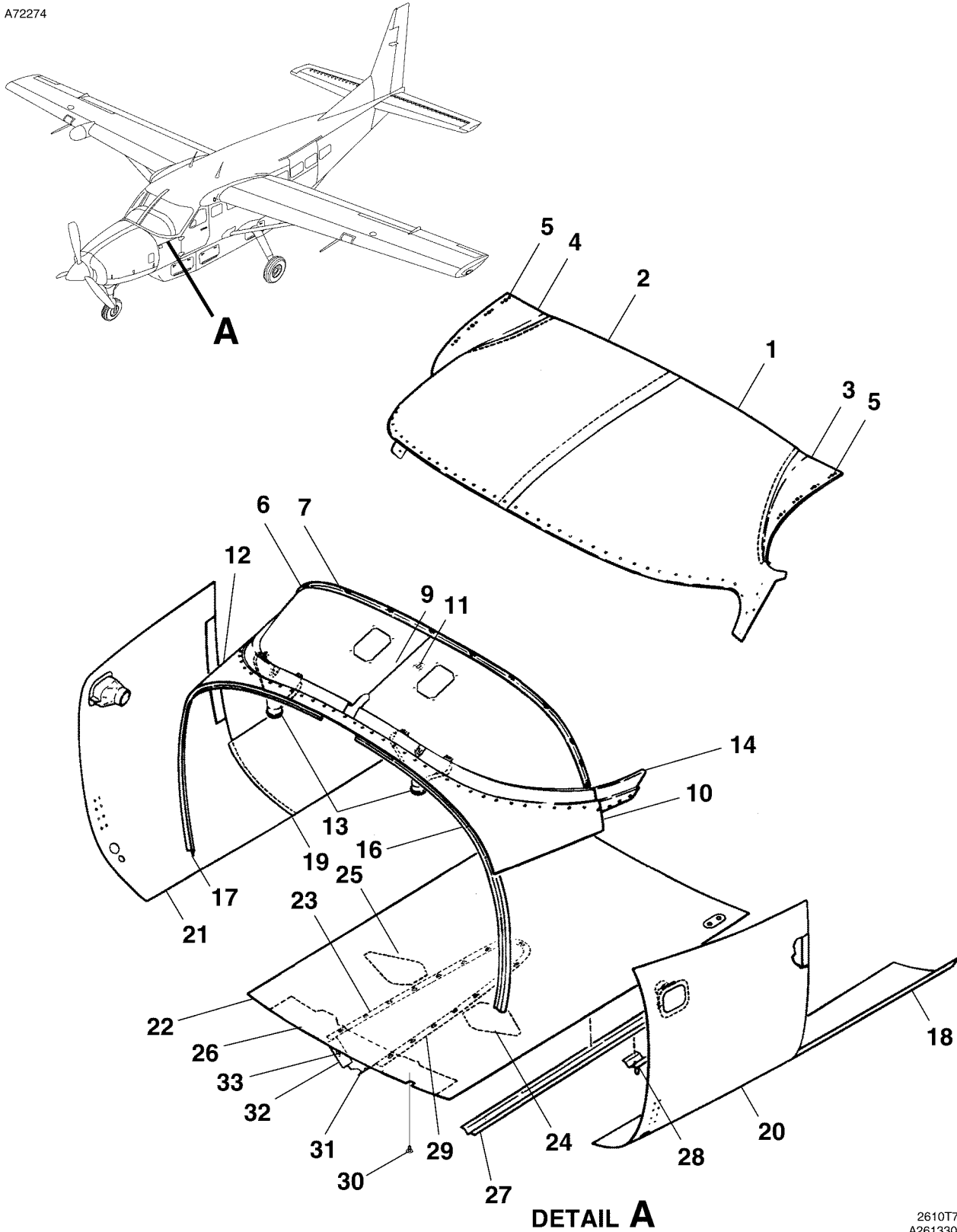
FIG ITEM	PART NUMBER	NOMENCLATURE	UNITS		
			1	2	PER ASSY
02		FORWARD FUSELAGE SKINS AND COMPONENTS	B0001	B1999	RF
-					
1	2613000-31	. SKIN-UPR LH .032 2024 T42			01
2	2613000-30	. SKIN-UPR RH .032 2024 T42			01
3	2613025-7	. SKIN ASSY-LH-UPR OUTBD .032 2024 T42			01
4	2613025-8	. SKIN ASSY-RH-UPR OUTBD .032 2024 T42			01
5	MS21047L3	. NUTPLATE			04
6	2613359-1	. ANGLE ASSY-GLARESHIELD ATTACH .063 2024 T42			01
- 7	MS21047L3	. NUTPLATE			13
8	2613177-35	. COWL DECK ASSY FSO 2613177-23	B0001	B0258	NP
- 9	2613177-23	. COWL DECK ASSY	B0259	B1999	01
10	2613287-1	. COVER-COWL DECK .032 2024 T42			01
		ATTACHING PARTS			
11	S1021Z6-5	. SCREW			07
- 12	S3241-2A	. NUTPLATE			07
13	2613177-15	. CLIP .032 2024 T3			03
		—*—			
14	2613177-11	. COVER ASSY-COWL DECK FSO 2613177-36	B0001	B0040	01
- 15	2613177-36	. COVER ASSY-COWL DECK	B0041	B1999	01
		ATTACHING PARTS			
16	S1021Z6-5	. SCREW			07
- 17	S3241-2A	. NUTPLATE			07
18	2613177-19	. CLIP .032 2024 T3			03
		—*—			
19	2613177-18	. . SCREEN			01
20	2613409-1	. . SHIELD-WINDSHIELD CENTER POST .040 PVC REFER TO NOTE 1	B0041	B1999	01
21	2613177-17	. DOUBLER-AFT .032 2024 T3			01
22		. NOZZLE-DEFROSTER REFER TO 21-22-00 FIGURE 01			RF
23	2613183-1	. RETAINER-WINDOW LH .025 2024 T42			01
- 24	2613183-2	. RETAINER-WINDOW RH .025 2024 T42			01
25	2613386-11	. FLANGE-FIREWALL SEAL LH FSO 2613448-1	B0001	B0301	NP
- 26	2613448-1	. FLANGE-FIREWALL SEAL LH .016 302 ANNEALED	B0302	B1999	01
27	2613386-10	. FLANGE-FIREWALL SEAL RH .016 302 ANNEALED			01
28	2613000-5	. SKIN-LH CTR FSO 2613000-39	B0001	B0311	NP
- 28A	2613000-39	. SKIN-LH CTR .032 2024 T3	B0312	B1999	01
29	2613000-6	. SKIN-RH CTR FSO 2613000-40	B0001	B0311	NP
- 29A	2613000-40	. SKIN-RH CTR .032 2024 T3	B0312	B1999	01
30	2613000-3	. SKIN-FWD LH .032 2024 T3			01
31	2613000-4	. SKIN-FWD RH .032 2024 T3			01
32		. AIR INLET REFER TO 21-21-00 FIGURE 01			RF
33	2613000-21	. SKIN-BELLY CENTER LWR FWD FSO 2613000-41	B0001	B0142	NP
- 33A	2613000-35	. SKIN-BELLY CENTER LWR FWD FSO 2613000-41	B0143	B0311	NP
- 33B	2613000-41	. SKIN-BELLY CENTER LWR FWD .032 2024 T3	B0312	B1301	01
- 33C	2613000-42	. SKIN-BELLY CENTER LWR FWD	B1302	B1999	01
34	NAS686A3K	. NUTPLATE			15
35	2613000-17	. DOUBLER-LH .040 2024 T3			01
36	2613000-18	. DOUBLER-RH .040 2024 T3			01
37	2613000-19	. DOUBLER-LH .050 2024 T3	B0001	B0311	01
38	2613000-20	. DOUBLER-RH .050 2024 T3	B0001	B0311	01
39	2613451-1	. DOUBLER-LWR BELLY .050 2024 T3 REFER TO NOTE 2	B0312	B1301	01
- 39A	2613451-2	. DOUBLER-LWR BELLY	B1302	B1999	01
40	2601297-3	. GUTTER-CARGO POD FWD .040 6061 T6			01
41	2601295-1	. DOWN SPOUT ASSY-CARGO POD			01
42	2613006-1	. SHIM .063 2024 T3			02
43	2613303-5	. PANEL ASSY-AFT			01 R
		ATTACHING PARTS			
44	AN525-10R6	. SCREW			15 R
		—*—			
45	2613303-8	. STRIP ASSY			01 R
46	2613303-9	. STRIP ASSY			01 R
47	S2319-30	. RECEPTACLE			02 R

NOTE 1—AIRPLANES -B0041 & ON AND AIRPLANES -B0001 THRU -B0040 INCORPORATING SK208-42.

NOTE 2—AIRPLANES -B0312 & ON AND AIRPLANES -B0001 THRU -B0311 INCORPORATING SK208-90.

CESSNA®
MODEL 208
ILLUSTRATED PARTS CATALOG

A72274



FORWARD FUSELAGE SKINS AND COMPONENTS
FIGURE 03 (SHEET 1)

2610T7004
A26133006A

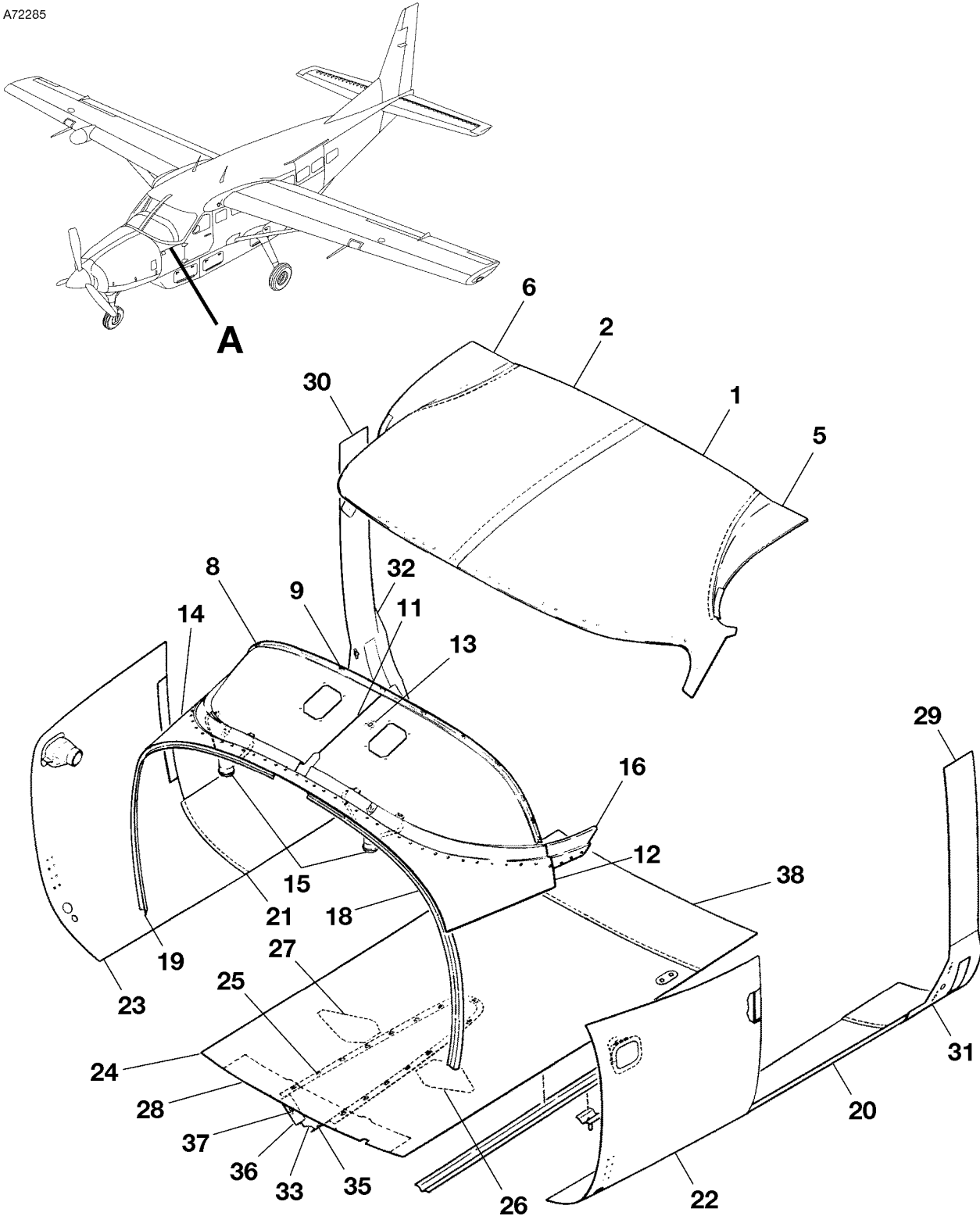
CESSNA®
MODEL 208
 ILLUSTRATED PARTS CATALOG

FIG ITEM	PART NUMBER	NOMENCLATURE	UNITS PER ASSY	
			1 2 3 4 5 6 7	
03		FORWARD FUSELAGE SKINS AND COMPONENTS	B2000	& ON RF
-				
1	2613000-31	. SKIN-LH UPR		01
2	2613000-30	. SKIN-RH UPR		01
3	2613025-7	. SKIN ASSY-LH UPR OUTBD		01
4	2613025-8	. SKIN ASSY-RH UPR OUTBD		01
5	MS21047L3	. . NUTPLATE		04
6	2613472-11	. ANGLE ASSY-GLARESHIELD ATTACH		01
7	MS21047L3	. . NUTPLATE		09
- 8	2613483-1	. COWL DECK ASSY		01
9	2613483-2	. . CHANNEL		01
10	2613483-5	. . COWL DECK ASSY-LH		01
11	MS21069L06	. . NUTPLATE		03
12	2613483-4	. . COWL DECK-RH		01
13		. NOZZLE-DEFROSTER REFER TO 21-22-00 FIGURE 01		RF
14	2613183-1	. RETAINER-LH WINDOW		01
- 15	2613183-2	. RETAINER-RH WINDOW		01
16	2613448-1	. FLANGE-LH FIREWALL SEAL		01
17	2613386-10	. FLANGE-RH FIREWALL SEAL		01
18	2613000-39	. SKIN-LH CTR		01
19	2613000-40	. SKIN-RH CTR		01
20	2613000-3	. SKIN-LH FWD		01
21	2613000-4	. SKIN-RH FWD		01
22	2613000-42	. SKIN-LWR FWD BELLY CENTER		01
23	NAS686A3K	. . NUTPLATE		15
24	2613000-17	. DOUBLER-LH		01
25	2613000-18	. DOUBLER-RH		01
26	2613451-2	. DOUBLER-LWR BELLY		01
27	2601297-3	. GUTTER-CARGO POD FWD		01
28	2601295-1	. DOWN SPOUT ASSY-CARGO POD		01
29	2613303-5	. PANEL ASSY-AFT		01 R
		. ATTACHING PARTS		
30	AN525-10R6	. SCREW		15 R
		. . *		
31	2613303-8	. STRIP ASSY		01 R
32	2613303-9	. STRIP ASSY		01 R
33	S2319-30	. . RECEPTACLE		02 R

- ITEM NOT ILLUSTRATED

CESSNA®
MODEL 208
ILLUSTRATED PARTS CATALOG

A72285



DETAIL A

FORWARD FUSELAGE SKINS AND COMPONENTS
FIGURE 04 (SHEET 1)

2610T7004
A26133006A

CESSNA®
MODEL 208
 ILLUSTRATED PARTS CATALOG

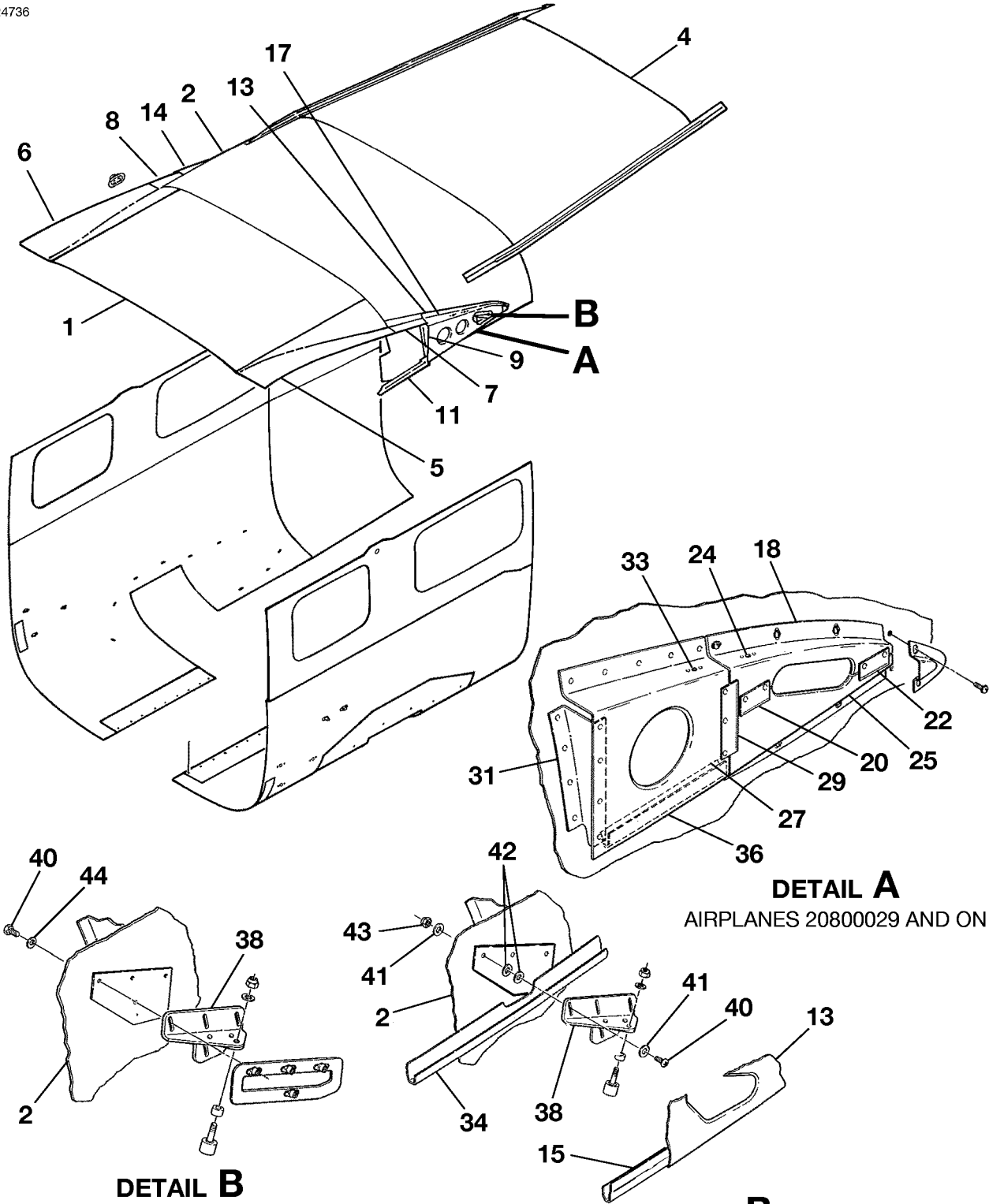
FIG ITEM	PART NUMBER	NOMENCLATURE	UNITS PER ASSY	
			1 2 3 4 5 6 7	
04		FORWARD FUSELAGE SKINS AND COMPONENTS	0500	& ON RF
-				
1	2613000-11	. SKIN-UPR LH		01
2	2613000-12	. SKIN-UPR RH		01
- 3	2613025-3	. SKIN ASSY-LH UPR OUTBD		01
- 4	2613025-4	. SKIN ASSY-LH UPR OUTBD		01
5	2613025-1	. SKIN-LH REFER TO NOTE 1		01 R
6	2613025-2	. SKIN-RH REFER TO NOTE 1		01 R
- 7	P840272	. POLYURETHANE TAPE BKI		AR
8	2613472-11	. ANGLE ASSY-GLARESHIELD ATTACH		01
9	MS21047L3	. NUTPLATE		09
- 10	2613483-1	. COWL DECK ASSY		01
11	2613483-2	. CHANNEL		01
12	2613483-5	. COWL DECK ASSY-LH		01
13	MS21069L06	. NUTPLATE		03
14	2613483-4	. COWL DECK-RH		01
15		. NOZZLE-DEFROSTER REFER TO 21-22-00 FIGURE 01		RF
16	2613183-1	. RETAINER-LH WINDOW		01
- 17	2613183-2	. RETAINER-RH WINDOW		01
18	2613448-3	. FLANGE-LH FIREWALL SEAL		01
19	2613448-4	. FLANGE-RH FIREWALL SEAL		01
20	2613000-39	. SKIN-LH CTR		01
21	2613000-40	. SKIN-RH CTR		01
22	2613000-3	. SKIN-LH FWD		01
23	2613000-4	. SKIN-RH FWD		01
24	2613000-42	. SKIN-LWR FWD BELLY CENTER		01
25	NAS686A3K	. NUTPLATE		15
26	2613000-17	. DOUBLER-LH		01
27	2613000-18	. DOUBLER-RH		01
28	2613451-2	. DOUBLER-LWR BELLY		01
29	2613000-33	. SKIN-LH AFT DOOR POST		01
30	2613000-32	. SKIN-RH AFT DOOR POST		01
31	2613000-15	. DOUBLER-LH		01
32	2613000-16	. DOUBLER-RH		01
33	2613303-5	. PANEL ASSY-AFT NOSE GEAR SPRING W/O CARGO POD ATTACHING PARTS		01
- 34	AN525-10R6	. SCREW		15
		—*—		
35	2613303-8	. STRIP ASSY-LH		01
36	2613303-9	. STRIP ASSY-RH		01
37	S2319-30	. RECEPTACLE		01
38	2613000-36	. SKIN-LWR AFT		01

NOTE 1—AIRPLANES -0500 & ON AND AIRPLANES -0533 THRU -0549 INCORPORATING CAB-53-01

R

CESSNA®
MODEL 208
 ILLUSTRATED PARTS CATALOG

A24736



DETAIL A

AIRPLANES 20800029 AND ON

DETAIL B

AIRPLANES 20800006 THRU 20800164
 NOT INCORPORATING SK208-71

DETAIL B

AIRPLANES 20800001 THRU 20800005
 NOT INCORPORATING SK208-71

26112003
 A26111001
 B26112009
 C26111026

CENTER FUSELAGE SKINS AND COMPONENTS
 FIGURE 01 (SHEET 1)

CESSNA®
MODEL 208
ILLUSTRATED PARTS CATALOG

FIG ITEM	PART NUMBER	NOMENCLATURE	UNITS PER ASSY		
			1	2	3
01		CENTER FUSELAGE SKINS AND COMPONENTS	0001	& ON	RF
-					
1	2611000-2	. SKIN-UPPER FWD .032 2024 T3			01
2	2611000-3	. SKIN-UPPER CTR .032 2024 T3	0001	0005	01
- 3	2611000-28	. SKIN-UPPER CTR .032 2024 T3 REFER TO NOTE 1	0165	& ON	01
4	2611000-4	. SKIN-UPPER AFT .025 2024 T3			01
5	2611000-21	. FILLET-LH WING TO FUSELAGE .040 2024 T3 REFER TO NOTE 5			01
- 5A	2611000-201	. FILLET-LH WING TO FUSELAGE .040 2024 T3 REFER TO NOTE 5	0533	0549	01
6	2611000-22	. FILLET-RH WING TO FUSELAGE .040 2024 T3 REFER TO NOTE 5			01
- 6A	2611000-202	. FILLET-RH WING TO FUSELAGE .040 2024 T3 REFER TO NOTE 5	0533	0549	01
7	2620014-27	. FAIRING ANGLE-LH WING TO FUSELAGE .032 2024 T42			01
8	2620014-28	. FAIRING ANGLE-RH WING TO FUSELAGE .032 2024 T42			01
9	2620014-5	. BRACKET-LH .025 2024 T42	0001	0028	01
- 10	2620014-6	. BRACKET-RH .025 2024 T42	0001	0028	01
11	2620014-9	. ANGLE ASSY-LH .025 2024 T42			01
- 12	2620014-10	. ANGLE ASSY-RH .025 2024 T42			01
13	2620014-1	. FAIRING ASSY-LH WING TO FUSELAGE	0001	0028	01
14	2620014-2	. FAIRING ASSY-RH WING TO FUSELAGE	0001	0028	01
15	2620015-1	. CLIP-LH .025 2024 T42	0001	0028	01
- 16	2620015-2	. CLIP-RH .025 2024 T42	0001	0028	01
17	MS21047L3	. NUTPLATE	0001	0028	02
18	2620022-7	. FAIRING ASSY-LH UPPER	0029	& ON	01
- 19	2620022-8	. FAIRING ASSY-RH UPPER	0029	& ON	01
20	2620022-17	. CLIP-OUTBD .025 2024 T3	0029	& ON	01
- 21	2620022-18	. CLIP-INBD .025 2024 T3	0029	& ON	01
22	2620022-11	. CLIP-OUTBD .025 2024 T3	0029	& ON	01
- 23	2620022-12	. CLIP-INBD .025 2024 T3	0029	& ON	01
24	MS21059L3	. NUTPLATE	0029	& ON	01
25	2620022-15	. FAIRING-LH LOWER .025 2024 T3	0029	& ON	01
- 26	2620022-16	. FAIRING-RH LOWER .025 2024 T3	0029	& ON	01
27	2620022-1	. FAIRING ASSY-LH	0029	& ON	01
- 28	2620022-2	. FAIRING ASSY-RH	0029	& ON	01
29	2620022-5	. CLIP-OUTBD .025 2024 T3	0029	& ON	01
- 30	2620022-6	. CLIP-INBD .025 2024 T3	0029	& ON	01
31	2620014-5	. BRACKET-LH .025 2024 T42	0029	& ON	01
- 32	2620014-6	. BRACKET-RH .025 2024 T42	0029	& ON	01
33	MS21059L3	. NUTPLATE	0029	& ON	01
34	2620017-1	. CHANNEL-LH .025 2024 T42	0001	0028	01
- 35	2620017-2	. CHANNEL-RH .025 2024 T42	0001	0028	01
36	2620017-3	. CHANNEL-LH .025 2024 T42	0029	& ON	01
- 37	2620017-4	. CHANNEL-RH .025 2024 T42	0029	& ON	01
38	2622180-1	. ROLLER SUPPORT ASSY-LH REFER TO NOTE 2	0001	0164	01
- 39	2622180-2	. ROLLER SUPPORT ASSY-RH REFER TO NOTE 2	0001	0164	01
		ATTACHING PARTS			
40	AN3-4A	. BOLT REFER TO NOTE 2	0001	0164	04
41	NAS1149F1165P	. WASHER REFER TO NOTE 3	0001	0005	06
42	AN970-3	. WASHER REFER TO NOTE 3	0001	0005	AR
43	MS21044N3	. NUT REFER TO NOTE 3	0001	0005	02
44	NAS1149F0332P	. WASHER REFER TO NOTE 4	0006	0164	04

NOTE 1—AIRPLANES -0165 & ON AND AIRPLANES -0001 THRU -0164 INCORPORATING SK208-71.

NOTE 2—AIRPLANES -0001 THRU -0164 NOT INCORPORATING SK208-71.

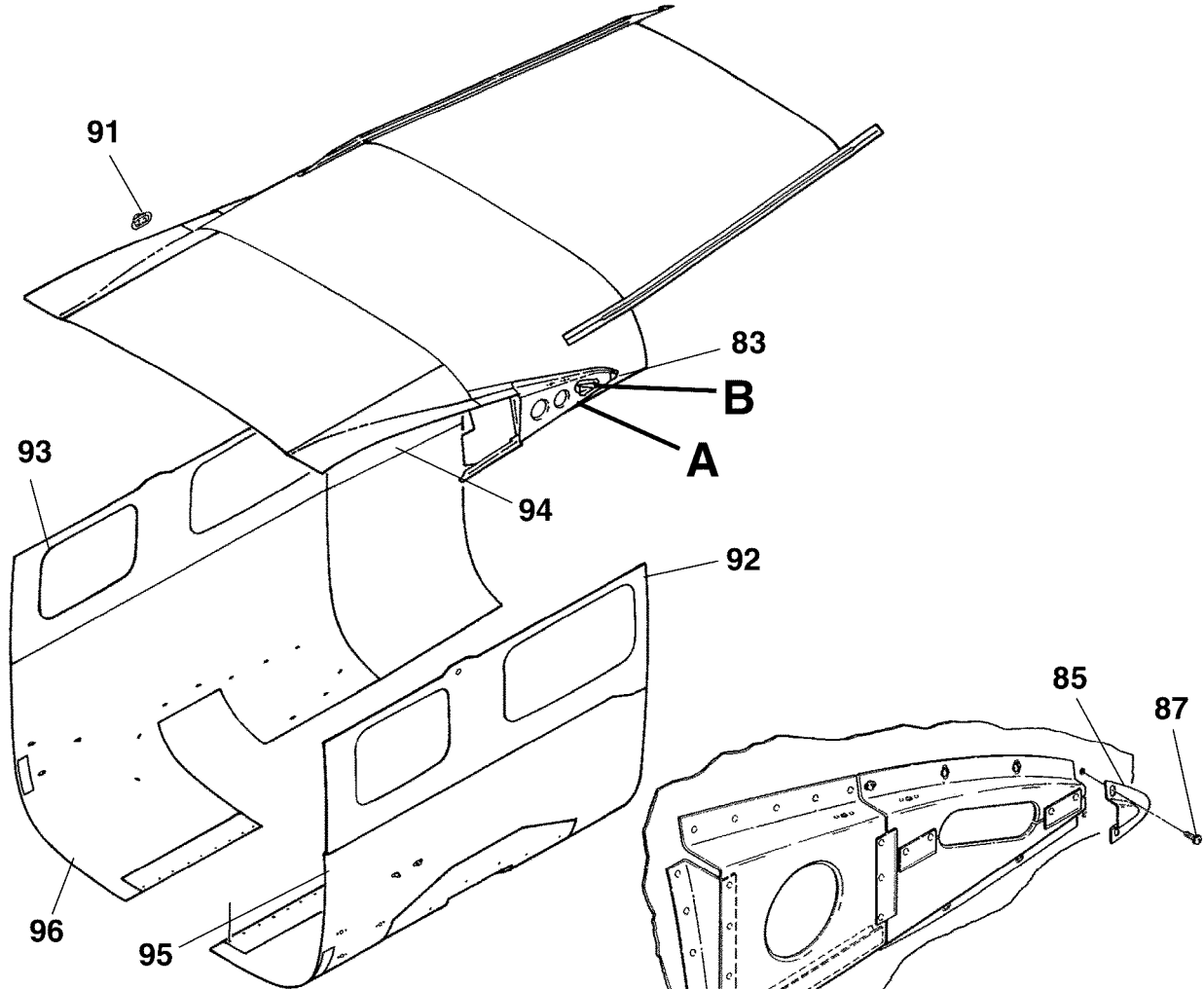
NOTE 3—AIRPLANES -0001 THRU -0005 NOT INCORPORATING SK208-71.

NOTE 4—AIRPLANES -0006 THRU -0164 NOT INCORPORATING SK208-71.

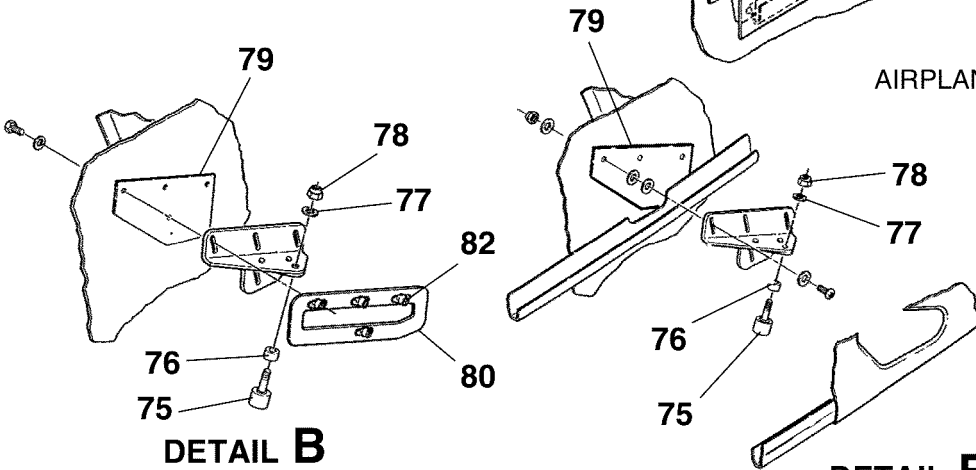
NOTE 5—AIRPLANES -0533 THRU -0549 INCORPORATING CAB-53-01

CESSNA®
MODEL 208
 ILLUSTRATED PARTS CATALOG

A24737



DETAIL A
 AIRPLANES 20800029 AND ON



DETAIL B
 AIRPLANES 20800006 THRU
 20800164 NOT INCORPORATING
 SK208-71

DETAIL B
 AIRPLANES 20800001 THRU 20800005
 NOT INCORPORATING SK208-71

26112003
 A26111001
 B26112009
 C26111026

CENTER FUSELAGE SKINS AND COMPONENTS
 FIGURE 01 (SHEET 2)

CESSNA®
MODEL 208
ILLUSTRATED PARTS CATALOG

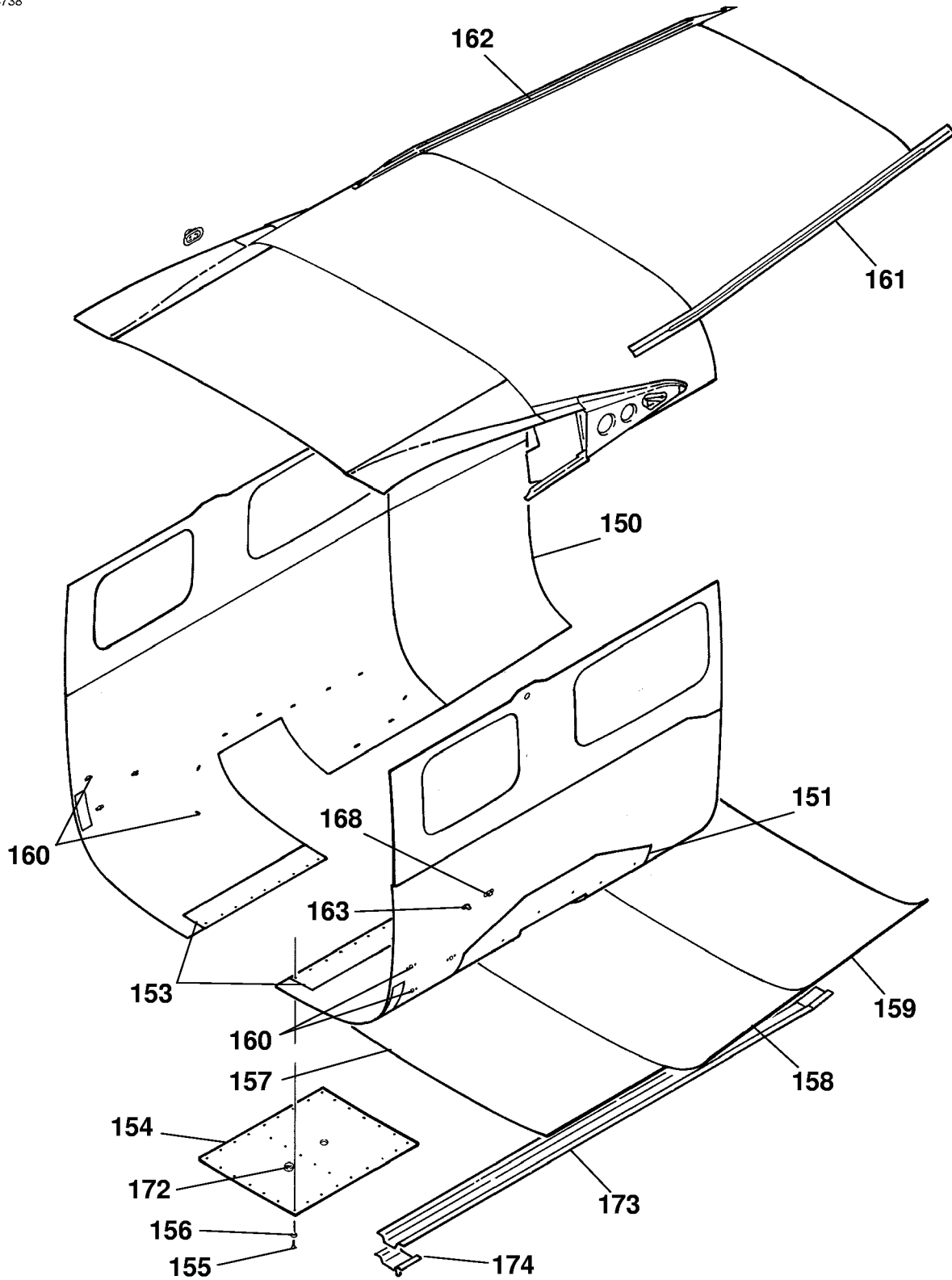
FIG ITEM	PART NUMBER	NOMENCLATURE	UNITS PER ASSY			
			1	2	3	4
01						
75	CRS10-1	. . CAM FOLLOWER REFER TO NOTE 1 V60380	0001	0164	01	
		ATTACHING PARTS				
76	NAS43HT4-12	. . SPACER REFER TO NOTE 1	0001	0164	01	
77	NAS1149F0432P	. . WASHER REFER TO NOTE 1	0001	0164	01	
78	MS21042L4	. . NUT REFER TO NOTE 1	0001	0164	01	
		—*—				
79	2622180-7	. . SPACER REFER TO NOTE 1	0001	0164	AR	
80	2622250-1	. . RING ASSY-NUTPLATE LH REFER TO NOTE 2	0006	0164	01	
- 81	2622250-2	. . RING ASSY-NUTPLATE RH REFER TO NOTE 2	0006	0164	01	
82	MS21047L3	. . NUTPLATE REFER TO NOTE 2	0006	0164	04	
83	2620014-7	. FAIRING-LH .005X38.00 FIBERGLASS PREPREG	0001	0028	01	
- 84	2620014-8	. FAIRING-RH .005X38.00 FIBERGLASS PREPREG	0001	0028	01	
85	2620022-13	. FAIRING-LH .005X38.00 FIBERGLASS PREPREG	0029	0592	01 R	
- 85A	2620022-19	. FAIRING-LH .005X38.00 FIBERGLASS PREPREG	0593	& ON	01 R	
- 86	2620022-14	. FAIRING-RH .005X38.00 FIBERGLASS PREPREG	0029	0592	01 R	
- 86A	2620022-20	. FAIRING-RH .005X38.00 FIBERGLASS PREPREG	0593	& ON	01 R	
87	AN525-832R7	. SCREW FAIRING ATTACH LH	0029	& ON	08	
- 88	AN525-832R7	. SCREW FAIRING ATTACH RH	0029	& ON	10	
- 89	MS21047L08	. NUTPLATE FAIRING ATTACH LH	0029	& ON	06	
- 90	MS21047L08	. NUTPLATE FAIRING ATTACH RH	0029	& ON	08	
91	2624016-1	. GUIDE-CABLE .032 2024 T42			01	
92	2611000-5	. SKIN-LH WINDOW .025 2024 T3			01	
- 92A	2601075-5	. SKIN-LH CARGOMASTER .025 2024 T3	0208	& ON	01	
93	2611000-6	. SKIN-RH WINDOW .025 2024 T3 FSO 2611231-2	0001	0305	NP	
- 93A	2601075-6	. SKIN-RH CARGOMASTER .025 2024 T3 FSO 2611231-4	0208	0305	NP	
94	2611000-16	. SKIN-RH AFT WINDOW .025 2024 T3 FSO 2611231-2	0001	0305	NP	
- 94A	2601075-3	. SKIN-RH AFT CARGOMASTER .025 2024 T3 FSO 2611231-4	0208	0305	NP	
- 94B	2611231-2	. SKIN-RH WINDOWS .025 2024 T3	0306	& ON	01	
- 94C	2611231-4	. SKIN-RH CARGOMASTER .025 2024 T3	0306	& ON	01	
- 94D	2601075-7	. SKIN-AFT RH CARGOMASTER .025 2024 T3	0208	& ON	01	
95	2611000-7	. SKIN-LH LWR .040 2024 T3			01	
96	2611000-8	. SKIN-RH LWR FWD .040 2024 T3			01	

NOTE 1—AIRPLANES -0001 THRU -0164 NOT INCORPORATING SK208-71.

NOTE 2—AIRPLANES -0001 THRU -0005 NOT INCORPORATING SK208-71.

CESSNA®
MODEL 208
ILLUSTRATED PARTS CATALOG

A24738



CENTER FUSELAGE SKINS AND COMPONENTS
FIGURE 01 (SHEET 3)

26112003

CESSNA®
MODEL 208
ILLUSTRATED PARTS CATALOG

FIG ITEM	PART NUMBER	1 2 3 4 5 6 7	NOMENCLATURE	UNITS PER ASSY	
01					
150	2611000-14		. SKIN-RH LWR AFT .032 2024 T3		01
151	2611088-5		. DOUBLER-LH .040 2024 T3		01
- 152	2611088-6		. DOUBLER-RH .040 2024 T3		01
153	2611000-19		. SKIN-LWR FWD .040 2024 T3		02
154	2611000-12		. SKIN-REMOVABLE .040 2024 T3 ATTACHING PARTS		01
155	AN3-4A		. BOLT		33
156	NAS1149F0332P		. WASHER —*		33
157	2611000-11		. SKIN-LWR FWD CTR .040 2024 T3		01
158	2611000-10		. SKIN-LWR AFT CTR .032 2024 T3		01
159	2611000-9		. SKIN-LWR AFT .032 2024 T42		01
160	MS21047L3		. NUTPLATE		28
161	2611102-1		. DRIP RAIL-LH 7075 T73	0001 0532	01
- 161A	2611102-3		. DRIP RAIL-LH 7075 T73	0533 & ON	01
162	2611102-2		. DRIP RAIL-RH 7075 T73	0001 0532	01
- 162A	2611102-5		. DRIP RAIL-RH 7075 T73	0533 & ON	01
163	401		. STUD REFER TO NOTE 1	V90763 0001 0131	01
- 164	2615112-3		. STAPLE REFER TO NOTE 2 ATTACHING PARTS	0132 & ON	01
- 165	MS24694-S5		. SCREW		02
- 166	NAS1149FN832P		. WASHER		02
- 167	MS21044N08		. NUT —*		02
168	2617089-1		. BUMPER ATTACHING PARTS		01
- 169	MS35206-229		. SCREW		02
- 170	NAS1149DN632K		. WASHER —*		02
- 171	MS21047L06		. NUTPLATE		02
172	MS35489-6		. GROMMET		01
173	2601296-1		. GUTTER-CARGO POD .040 6061 T6 REFER TO NOTE 3	0072 & ON	01
174	2601294-1		. DOWN SPOUT ASSY-CARGO POD REFER TO NOTE 3	0072 & ON	01

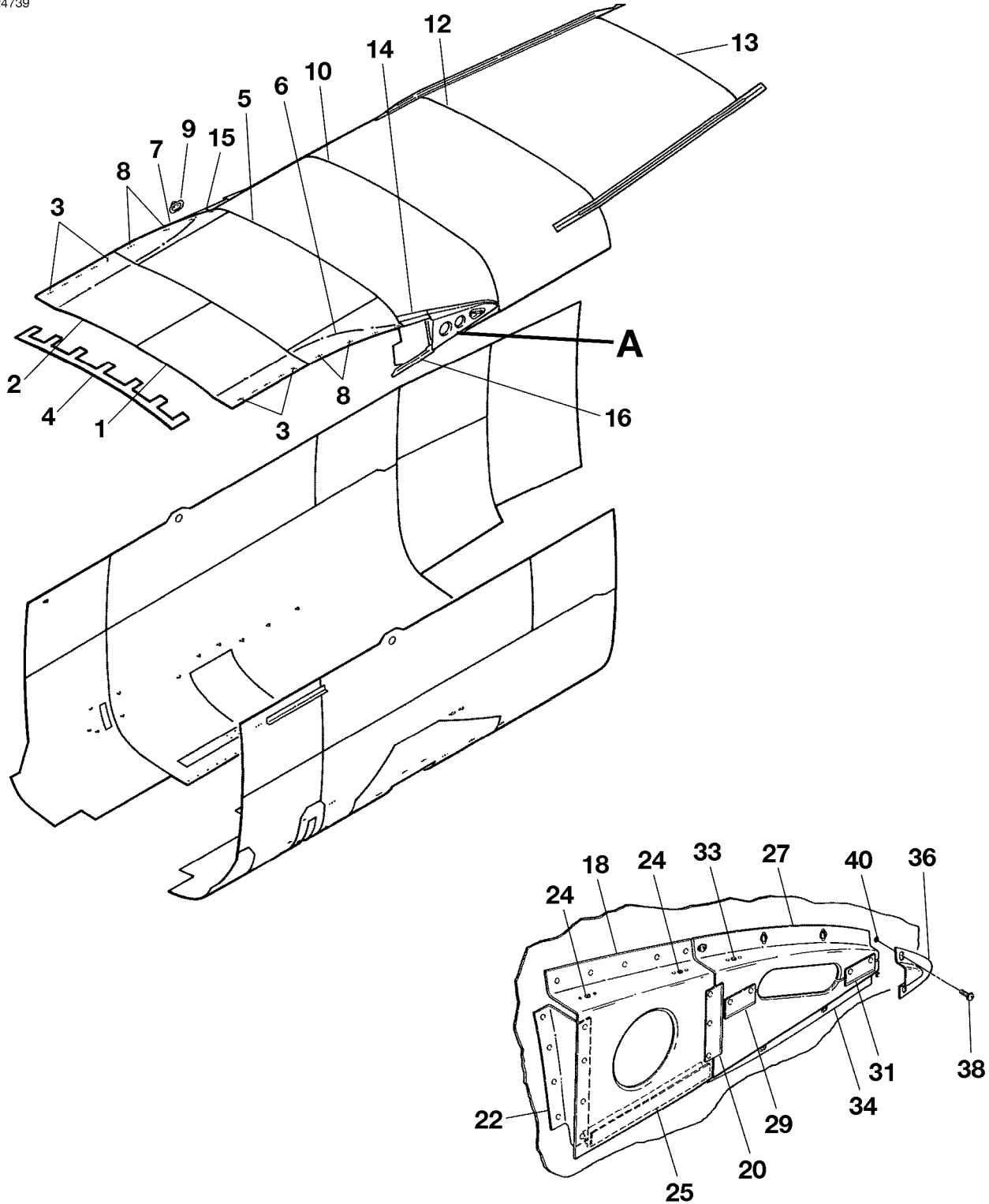
NOTE 1—AIRPLANES -0001 THRU -0131 NOT INCORPORATING SK208-29.

NOTE 2—AIRPLANES -0132 & ON AND AIRPLANES -0001 THRU -0131 INCORPORATING SK208-29.

NOTE 3—AIRPLANES -0072 & ON AND AIRPLANES -0001 THRU -0071 INCORPORATING SK208-10.

CESSNA®
MODEL 208
 ILLUSTRATED PARTS CATALOG

A24739



DETAIL A

2611R3003
 A2611R1001
 A2611T1042

CENTER FUSELAGE SKINS AND COMPONENTS
 FIGURE 02 (SHEET 1)

CESSNA®
MODEL 208
ILLUSTRATED PARTS CATALOG

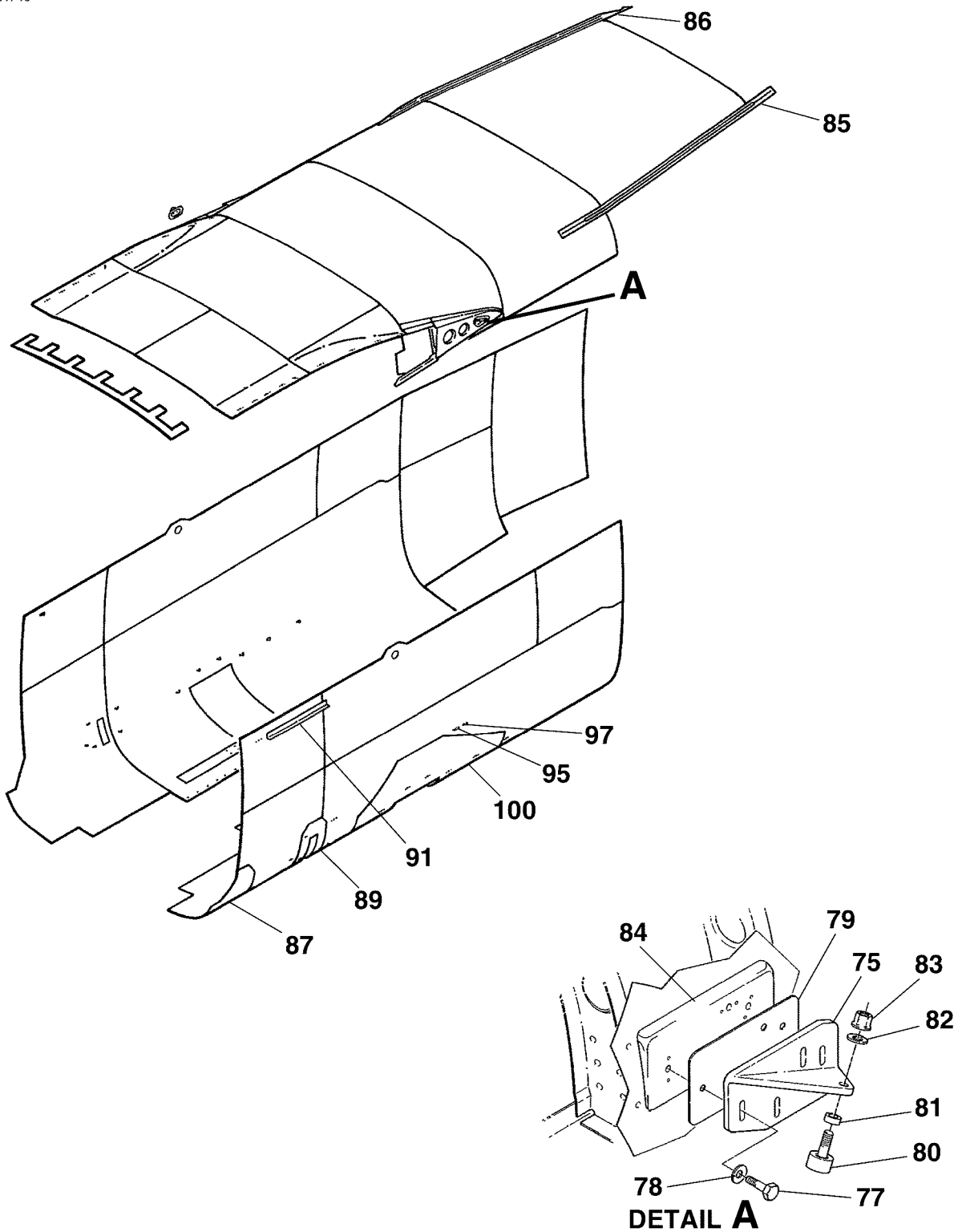
FIG ITEM	PART NUMBER	NOMENCLATURE	UNITS	
			PER	ASSY
02		CENTER FUSELAGE SKINS AND COMPONENTS	B0001	& ON RF
-				
1	2611001-3	. SKIN-UPR FWD LH .032 2024 T3		01
2	2611001-2	. SKIN-UPR FWD RH .032 2024 T3		01
3	MS21047L3	. NUTPLATE		10
4	2611010-6	. FILLER .100 2024 T3		01
5	2611000-2	. SKIN-UPR CTR FWD .032 2024 T3		01
6	2611000-27	. FILLET ASSY-FUSELAGE TO WING LH .032 2024 T3		01
7	2611000-26	. FILLET ASSY-FUSELAGE TO WING RH .032 2024 T3		01
8	MS21047L3	. NUTPLATE		04
9	2624016-1	. GUIDE-CABLE RH ONLY .032 2024 T42		01
10	2611001-4	. SKIN-UPR CTR .032 2024 T3 REFER TO NOTE 1	B0001	B0194 01
-	11	2611001-19	B0195	& ON 01
12	2611001-17	. SKIN-UPR CTR AFT .032 2024 T3		01
13	2611000-4	. SKIN-UPR AFT .025 2024 T3		01
14	2620014-27	. FAIRING ANGLE-FUSELAGE TO WING LH .032 2024 T42		01
15	2620014-28	. FAIRING ANGLE-FUSELAGE TO WING RH .032 2024 T42		01
16	2620014-9	. ANGLE ASSY-LH .025 2024 T42		01
-	17	2620014-10		01
18	2620023-1	. FAIRING ASSY-LH		01
-	19	2620023-2		01
20	2620022-5	. CLIP-OUTBD .025 2024 T3		01
-	21	2620022-6		01
22	2620024-1	. BRACKET-LH .025 2024 T42		01
-	23	2620024-2		01
24	MS21059L3	. NUTPLATE		02
25	2620017-3	. ANGLE-ATTACH LH .025 2024 T42		01
-	26	2620017-4		01
27	2620023-31	. FAIRING ASSY-LH UPR		01
-	28	2620023-32		01
29	2620022-17	. CLIP-OUTBD .025 2024 T3		01
-	30	2620022-18		01
31	2620022-11	. CLIP-OUTBD .025 2024 T3		01
-	32	2620022-12		01
33	MS21059L3	. NUTPLATE		01
34	2620023-35	. FAIRING-LH LWR .025 2024 T3		01
-	35	2620023-36		01
36	2620023-11	. FAIRING-LH AFT		01
-	37	2620023-12		01
38	AN525-832R7	. SCREW FAIRING ATTACH LH		08
-	39	AN525-832R7		10
40	NAS697A08	. NUTPLATE FAIRING ATTACH		14

NOTE 1—AIRPLANES -B0001 THRU -B0194 NOT INCORPORATING SK208-71.

NOTE 2—AIRPLANES -B0195 & ON AND AIRPLANES -B0001 THRU -B0194 INCORPORATING SK208-71.

CESSNA®
MODEL 208
ILLUSTRATED PARTS CATALOG

A24740



DETAIL A
AIRPLANES 208B0001 THRU 208B0194
NOT INCORPORATING SK208-71

26113003
A26112001

CENTER FUSELAGE SKINS AND COMPONENTS
FIGURE 02 (SHEET 2)

CESSNA®
MODEL 208
ILLUSTRATED PARTS CATALOG

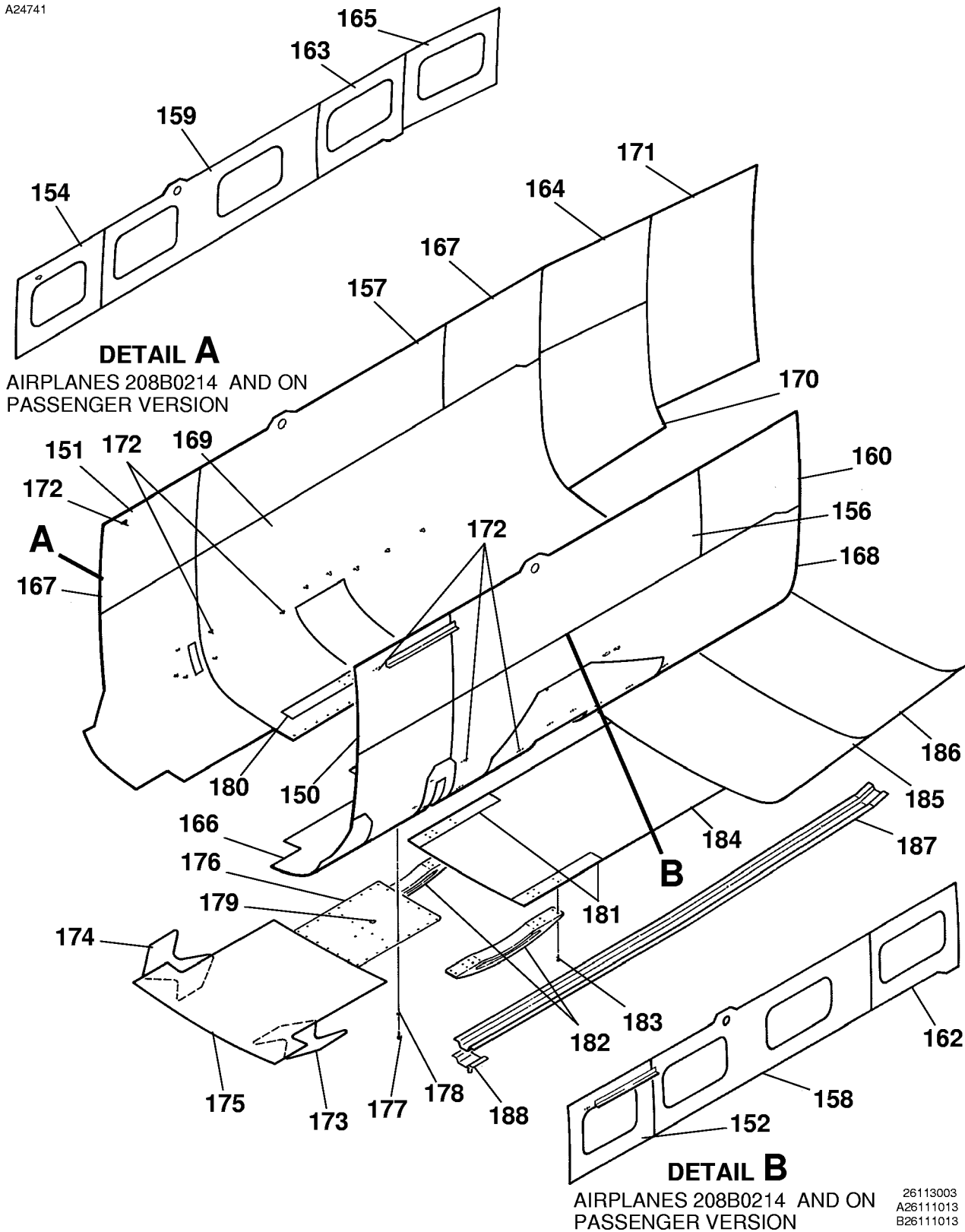
FIG ITEM	PART NUMBER	NOMENCLATURE	UNITS PER ASSY		
			1	2	3
02					
75	2622256-1	. SUPPORT ASSY-FLAP ROLLER LH REFER TO NOTE 1	B0001	B0194	01
- 76	2622256-2	. SUPPORT ASSY-FLAP ROLLER RH REFER TO NOTE 1 ATTACHING PARTS	B0001	B0194	01
77	AN3H6A	. BOLT REFER TO NOTE 1	B0001	B0194	04
78	NAS1149F0332P	. WASHER REFER TO NOTE 1	B0001	B0194	04
79	2622256-15	. SPACER REFER TO NOTE 1 —*—	B0001	B0194	AR
80	CRS10-1	. . CAM FOLLOWER REFER TO NOTE 1 V60380 ATTACHING PARTS	B0001	B0194	01
81	NAS43HT4-10	. . SPACER REFER TO NOTE 1	B0001	B0194	01
82	NAS1149F0432P	. . WASHER REFER TO NOTE 1	B0001	B0194	01
83	MS21042L4	. . NUT REFER TO NOTE 1 —*—	B0001	B0194	01
84		. PLATE ASSY-FLAP ROLLER SUPPORT REFER TO 53-13-00 FIGURE 02			RF
85	2611102-1	. DRIP RAIL-LH CM2974-3	B0001	B2323	01 R
- 85A	2611102-3	. DRIP RAIL-LH CM2974-3	B2327	B2330	
86	2611102-2	. DRIP RAIL-RH CM2974-3	B2324	B2326	01 R
- 86A	2611102-5	. DRIP RAIL-RH CM2974-3	B2331	& ON	
87	2611004-1	. DOUBLER-LH .050 2024 T3			01
- 88	2611004-2	. DOUBLER-RH .050 2024 T3			01
89	2611004-3	. DOUBLER-LH .050 2024 T3			01
- 90	2611004-4	. DOUBLER-RH .050 2024 T3			01
91	2620023-15	. RETAINER-FAIRING LH S1145-1	B0001	B0258	01
- 92	2620023-49	. RETAINER-FAIRING LH S1145-1	B0259	& ON	01
- 93	2620023-16	. RETAINER-FAIRING RH S1145-1	B0001	B0258	01
- 94	2620023-50	. RETAINER-FAIRING RH S1145-1	B0259	& ON	01
95	2615112-3	. STUD LH ONLY ATTACHING PARTS			01
- 96	MS24694-S5	. SCREW —*—			02
97	2617089-1	. BUMPER LH ONLY ATTACHING PARTS			01
- 98	MS35206-229	. SCREW			02
- 99	NAS1149DN632K	. WASHER —*—			02
100	2611007-1	. DOUBLER-LH .040 2024 T3			01
- 101	2611007-2	. DOUBLER-RH .040 2024 T3			01

NOTE 1—AIRPLANES -B0001 THRU -B0194 NOT INCORPORATING SK208-71.

CESSNA®
MODEL 208

ILLUSTRATED PARTS CATALOG

A24741



CENTER FUSELAGE SKINS AND COMPONENTS
 FIGURE 02 (SHEET 3)

26113003
 A26111013
 B26111013

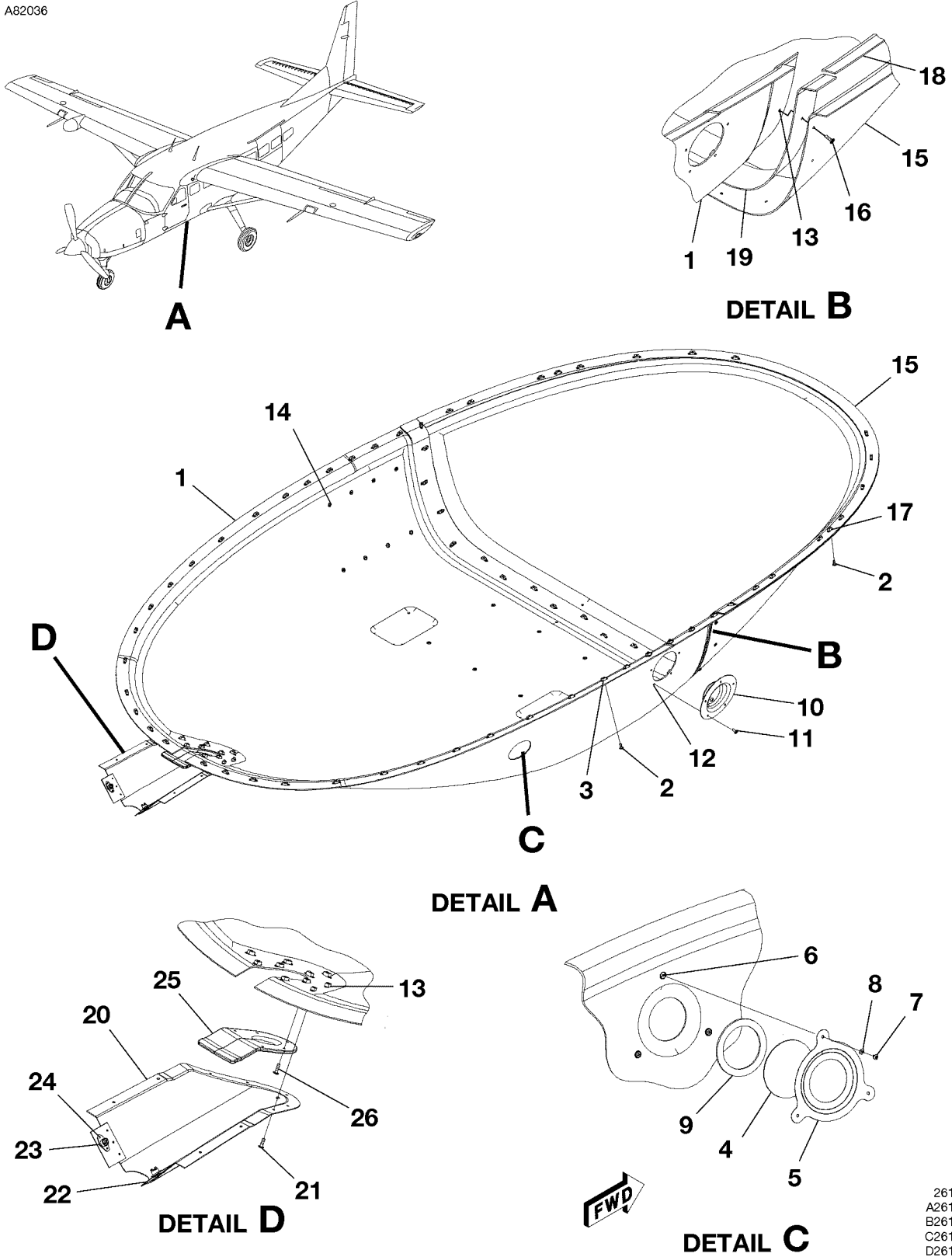
CESSNA®
MODEL 208
ILLUSTRATED PARTS CATALOG

FIG ITEM	PART NUMBER	NOMENCLATURE	UNITS PER ASSY	
			1	2
02				
150	2611001-5	. SKIN-UPR FWD LH NOT APPLICABLE TO PASSENGER VERSION .032 2024 T3	B0001	B0656 01
- 150A	2611229-3	. SKIN-UPPER FWD LH NOT APPLICABLE TO PASSENGER VERSION .032 20204 T3	B0657	& ON 01
151	2611001-6	. SKIN-UPR FWD RH NOT APPLICABLE TO PASSENGER VERSION .032 2024 T3	B0001	B0656 01
- 151A	2611229-4	. SKIN-UPPER FWD RH NOT APPLICABLE TO PASSENGER VERSION .032 2024 T3	B0657	& ON 01
- 151B	2611230-1	. SHIM-UPPER FWD SKIN LH .063 2024 FS186.45 & FS188.70	B0696	& ON 02
- 151C	2611230-1	. SHIM-UPPER FWD SKIN RH .063 2024 FS186.45 & FS188.70	B0696	& ON 02
152	2611001-21	. SKIN-LH PASSENGER VERSION .032 2024 T3	B0214	B0258 01
- 153	2611001-29	. SKIN-LH PASSENGER VERSION .032 2024 T3	B0259	B0656 01
- 153A	2611229-1	. SKIN-LH PASSENGER VERSION .032 2024 T3	B0657	& ON 01
154	2611001-22	. SKIN-RH PASSENGER VERSION .032 2024 T3	B0214	B0258 01
- 155	2611001-30	. SKIN-RH PASSENGER VERSION .032 2024 T3	B0259	B0656 01
- 155A	2611229-2	. SKIN-RH PASSENGER VERSION .032 2024 T3	B0657	& ON 01
156	2611001-7	. SKIN-UPR CTR LH NOT APPLICABLE TO PASSENGER VERSION .032 2024 T3	B0001	B0656 01
157	2611001-8	. SKIN-UPR CTR RH NOT APPLICABLE TO PASSENGER VERSION .032 2024 T3	B0001	B0656 01
158	2611001-23	. SKIN-LH PASSENGER VERSION .032 2024 T3	B0214	B0656 01
159	2611001-24	. SKIN-RH PASSENGER VERSION .032 2024 T3	B0214	B0656 01
160	2611001-9	. SKIN-UPR AFT LH NOT APPLICABLE TO PASSENGER VERSION .032 2024 T3	B0001	B0656 01
- 161	2611001-10	. SKIN-UPR AFT RH NOT APPLICABLE TO PASSENGER VERSION .032 2024 T3	B0001	B0656 01
162	2611001-25	. SKIN-LH PASSENGER VERSION .032 2024 T3	B0214	B0656 01
163	2611001-26	. SKIN-RH PASSENGER VERSION .032 2024 T3	B0214	B0656 01
164	2611001-18	. SKIN-UPR AFT RH .032 2024 T3	B0001	B0656 01
165	2611001-28	. SKIN-RH PASSENGER VERSION .032 2024 T3	B0214	B0656 01
166	2611001-11	. SKIN-LWR FWD LH .040 2024 T3		01
167	2611001-12	. SKIN-LWR FWD RH .040 2024 T3		01
168	2611001-13	. SKIN-LWR CTR LH .040 2024 T3		01
169	2611001-14	. SKIN-LWR CTR RH .040 2024 T3		01
170	2611000-14	. SKIN-LWR AFT RH .032 2024 T3		01
171	2601075-7	. SKIN-AFT RH NOT APPLICABLE TO PASSENGER VERSION .025 2024 T3		01
172	MS21047L3	. NUTPLATE		26
173	2611013-1	. DOUBLER-LH .063 2024 T3		01
174	2611013-2	. DOUBLER-RH .063 2024 T3		01
175	2611001-20	. SKIN-LWR FWD .040 2024 T3		01
176	2611000-12	. SKIN PANEL-LWR .040 2024 T3		01
177	AN3-4A	. BOLT-SKIN PANEL ATTACH		33
178	NAS1149F0332P	. WASHER-SKIN PANEL ATTACH		33
179	MS35489-6	. GROMMET		01
180	2611099-2	. STRAP .125 2024 T3		02
181	2611099-3	. STRAP .100 2024 T3		02
182	2611099-1	. STIFFENER-MLG BAY 2.00X2.25 2024 T351		02
183	AN4-7A	. BOLT-STIFFENER ATTACH		12
184	2611001-15	. SKIN-LWR CTR .040 2024 T3		01
185	2611000-10	. SKIN-LWR CTR AFT .032 2024 T3		01
186	2611000-9	. SKIN-LWR AFT .032 2024 T3		01
187	2601296-2	. GUTTER-CARGO POD NOT APPLICABLE TO PASSENGER VERSION .040 6061 T6		01
188	2601294-1	. DOWN SPOUT ASSY-CARGO POD NOT APPLICABLE TO PASSENGER VERSION		01

- ITEM NOT ILLUSTRATED

CESSNA®
MODEL 208
 ILLUSTRATED PARTS CATALOG

A82036

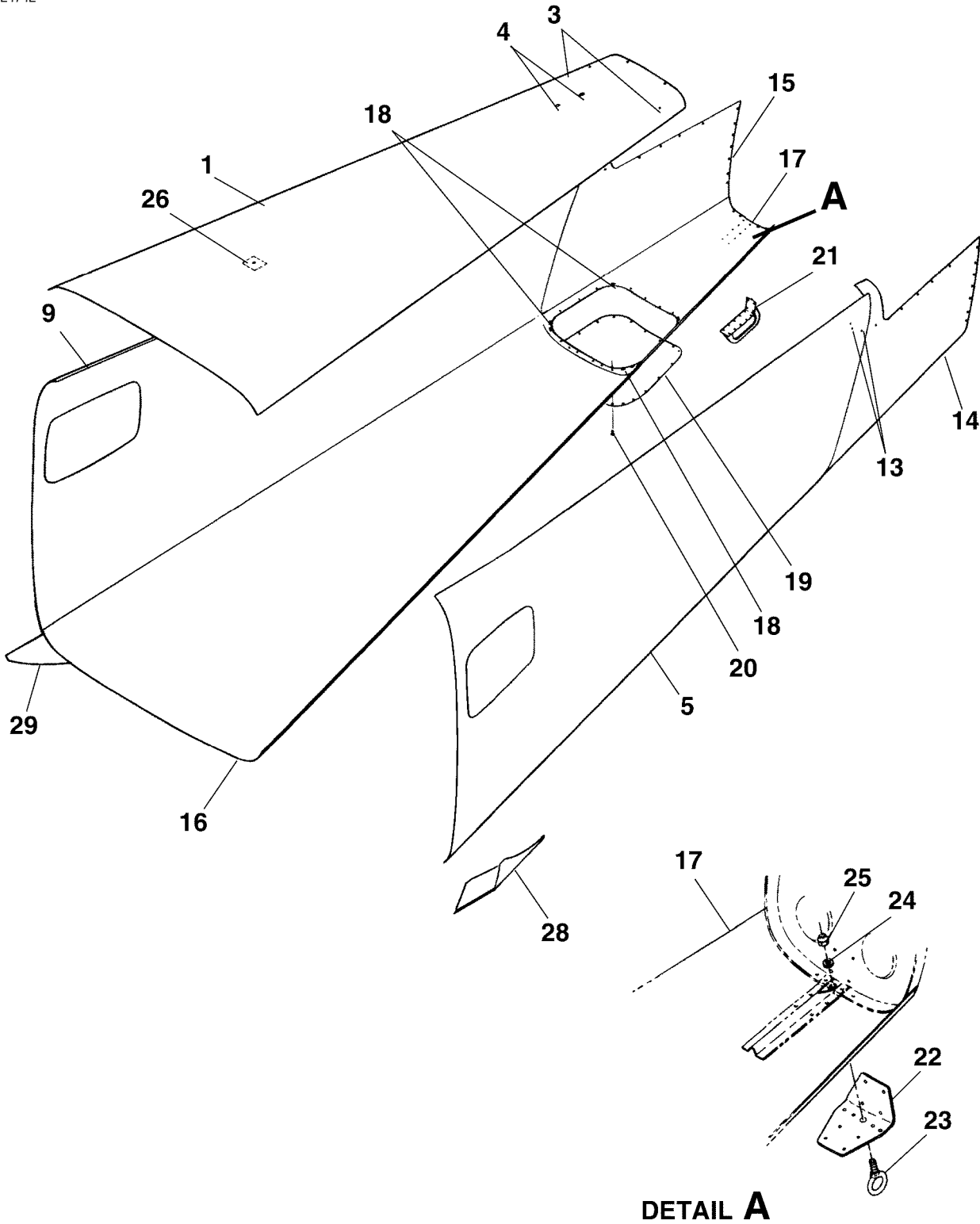


2610T7005
 A2614T1441
 B2614T1441
 C2614T1441
 D2614T1441

TKS FAIRING INSTALLATION
 FIGURE 03 (SHEET 1)

CESSNA®
MODEL 208
ILLUSTRATED PARTS CATALOG

A24742



26124003
A26121005

TAILCONE SKINS AND COMPONENTS
FIGURE 01 (SHEET 1)

**CESSNA®
MODEL 208
ILLUSTRATED PARTS CATALOG**

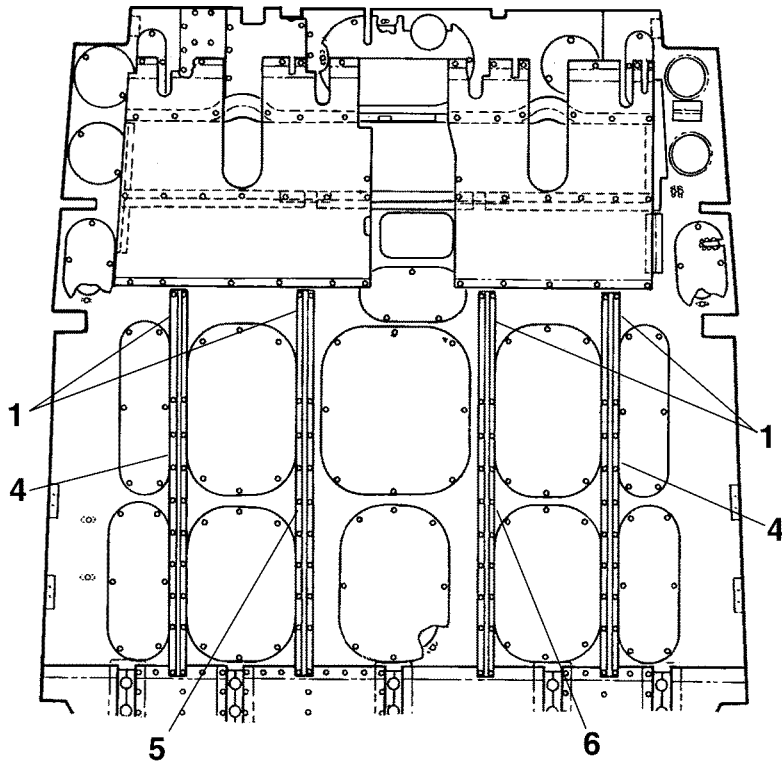
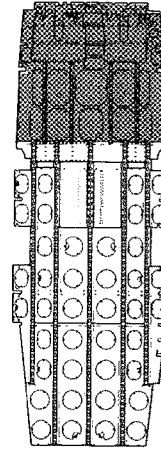
FIG ITEM	PART NUMBER	NOMENCLATURE	UNITS PER ASSY		
			1	2	3
01		TAILCONE SKINS AND COMPONENTS			RF
- 1	2612000-4	. SKIN-TOP .020 2024 T3 FSO 2612000-20	0001	0127	NP
- 2	2612000-15	. SKIN-TOP .020 2024 T3 FSO 2612000-20	B0001	B0073	NP
- 2A	2612000-20	. SKIN-TOP .020 2024 T3	0128	0403	NP
- 2B	2612143-7	. DOUBLER-ELT CABLE FSO 2612143-31	B0074	B1231	01
- 2C	2612143-31	. DOUBLER-ELT CABLE	0404	& ON	01
- 2D	2612143-32	. DOUBLER-ELT CABLE	B1232	& ON	NP
- 2E	S1050-1-4.75	. GROMMET-ELT CABLE DOUBLER BKI	0404	0503	NP
3	NAS686A3K	. NUTPLATE	B1232	B2011	01 R
4	S4132-1	. ANCHOR	0504	0610	01 R
5	2612000-3	. SKIN-LH FWD CUTOFF FOR WINDOW PASSENGER VERSION FSO	B2012	B5433	01 R
- 6	2612133-1	. SKIN-LH FWD CUTOFF FOR WINDOW PASSENGER VERSION	0611	& ON	01 R
- 7	2601074-3	. SKIN-LH FWD FSO 2612133-3	B5434	& ON	AR
- 8	2612133-3	. SKIN-LH FWD	0404	& ON	AR
9	2612000-2	. SKIN-RH FWD CUTOFF FOR WINDOW PASSENGER VERSION FSO	B1232	& ON	
- 10	2612133-2	. SKIN-RH FWD CUTOFF FOR WINDOW PASSENGER VERSION	0001	0230	NP
- 10A	DDA06747-3	. SKIN-RH FWD CUTOFF FOR WINDOW PASSENGER VERSION REF	B0214	B0343	02
- 11	2601074-4	. SKIN-RH FWD FSO 2612133-4	0231	& ON	02
- 12	2612133-4	. SKIN-RH FWD	B0344	& ON	02
13	NAS686A3K	. NUTPLATE	0001	0230	NP
14	2612000-7	. SKIN-LH AFT .032 2024 T3	B0214	B0343	NP
15	2612000-8	. SKIN-RH AFT .032 2024 T3	0231	& ON	01
16	2612000-5	. SKIN-LWR .020 2024 T3	B0344	& ON	01
17	2612000-6	. SKIN-LWR AFT .032 2024 T3	0001	0230	NP
18	MS21047L3	. NUTPLATE	B0001	B0343	01
19	2612063-1	. DOOR-TAILCONE ACCESS .040 2024 T3	0231	& ON	01
20	AN525-10R6	. ATTACHING PARTS SCREW	B0344	& ON	01
21	2612035-1	. TIE DOWN ASSY PASSENGER VERSION	B5192	B5192	08
22	2601175-1	. DOUBLER-MOORING RING .090 2024 T42	B5194	& ON	01
23	0422344	. EYEBOLT-MOORING	B5191	B5191	01
24	NAS1149F0563P	. ATTACHING PARTS WASHER	B5193	B5193	01
25	MS21044N5	. NUT	0001	0230	NP
26	1260474-2	. DOUBLER .025 2024 T3	B0001	B0343	NP
- 27	1270623-8	. DOUBLER .025 2024 T3	0231	& ON	01
28	2611182-1	. DOUBLER-LH .040 2024 T3	B0344	& ON	01
29	2611182-2	. DOUBLER-RH .040 2024 T3	0001	0230	NP
- 29A	2611050-1	. FILLER	B0001	B0343	01
- 30	DDA06747-2	. DOUBLER REF 2612000 REFER TO NOTE 1	0231	& ON	01
- 31	DDA06777-2	. DOUBLER-SKIN TO DORSAL ATTACH REF 2612000 REFER TO NOTE 1	B0344	& ON	01

NOTE 1—WHEN ORDERING DDA PART NUMBERS, ALSO PROVIDE REFERENCE DRAWING NUMBER SHOWN IN NOMENCLATURE COLUMN.

- ITEM NOT ILLUSTRATED

CESSNA®
MODEL 208
ILLUSTRATED PARTS CATALOG

A24743



2611M4008
26114005

SEAT RAIL AND TRACK INSTALLATION
FIGURE 01 (SHEET 1)

CESSNA®
MODEL 208
ILLUSTRATED PARTS CATALOG

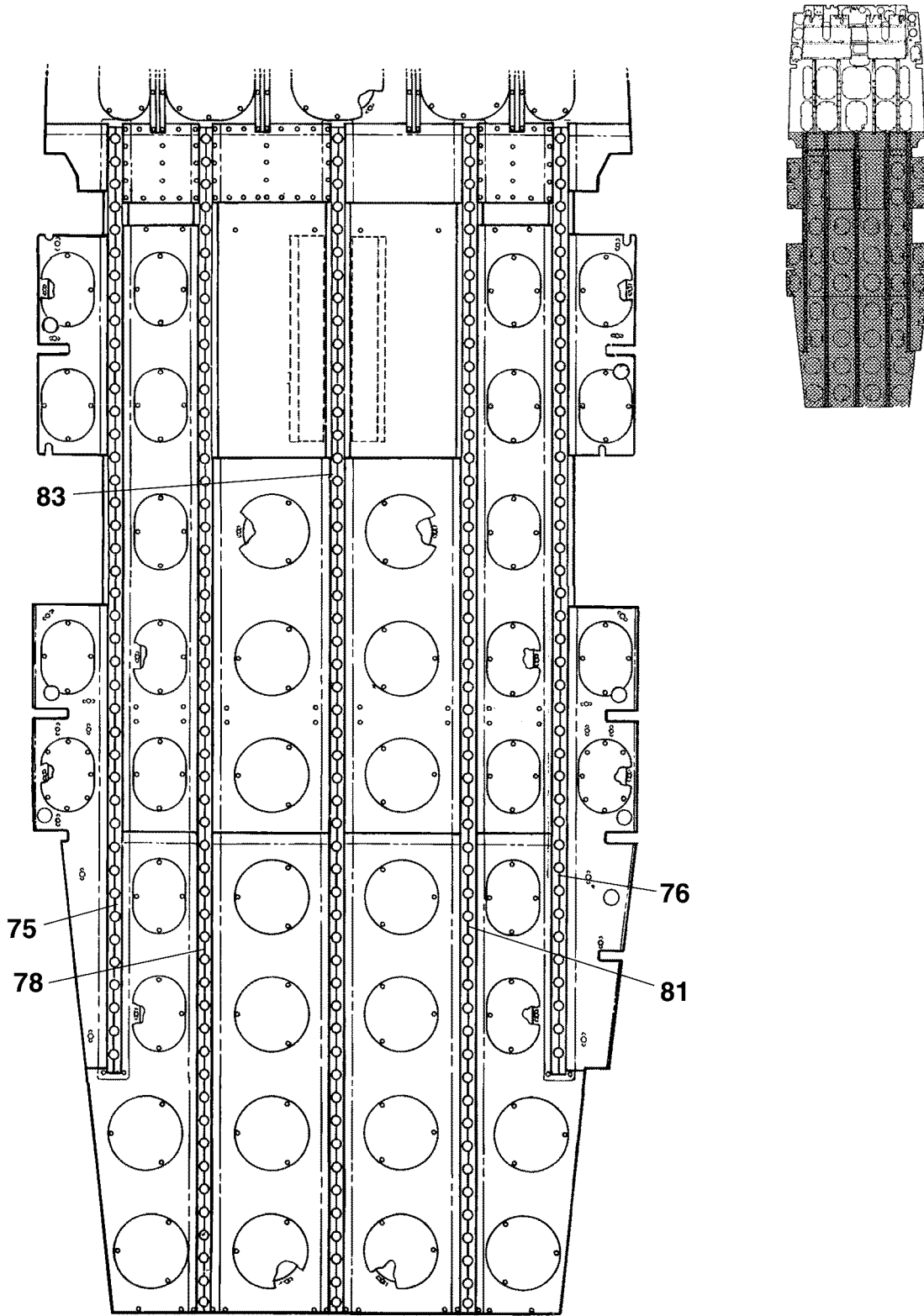
FIG ITEM	PART NUMBER	NOMENCLATURE	UNITS PER ASSY		
			1	2	3
01		SEAT RAIL AND TRACK INSTALLATION	0001	& ON	RF
-					
1	2613039-1	. SEAT RAIL-PILOT & COPILOT W/O CARGO BARRIER S2343-1	0001	0219	04
- 2	2613039-2	. SEAT RAIL-PILOT & COPILOT S2343-1-FSO 2613039-3	0220	0229	NP
- 3	2613039-3	. SEAT RAIL-PILOT & COPILOT S2343-1-FSO 2613039-4 REFER TO NOTE 1.	0230	0262	NP
- 3A	2613039-4	. SEAT RAIL-PILOT & COPILOT S2343-1-REFER TO NOTE 1	0263	0293	04
- 3B	2613039-1	. SEAT RAIL-PILOT & COPILOT S2343-1	0294	& ON	04
- 3C	2613039-4	. SEAT RAIL-PILOT & COPILOT WITH CARGO BARRIER S2343-1	0294	& ON	04
4	2601088-3	. SEAT RAIL-OUTBOARD WITH CARGO BARRIER S2343-1	0001	0219	02
5	2601088-1	. SEAT RAIL-LH INBOARD WITH CARGO BARRIER S2343-1	0001	0219	01
6	2601088-2	. SEAT RAIL-RH INBOARD WITH CARGO BARRIER S2343-1	0001	0219	01
		ATTACHING PARTS			
- 7	AN525-10R8	. SCREW			20
- 8	NAS1149F0332P	. WASHER	0199	& ON	18
- 9	MS21044N3	. NUT	0199	& ON	18
		—*—			

NOTE 1—AIRPLANES -0230 THRU -0262 AND AIRPLANES -0251 THRU -0293 INCORPORATING CAB00-12 AND SK208-138. R

- ITEM NOT ILLUSTRATED

CESSNA®
MODEL 208
ILLUSTRATED PARTS CATALOG

A24744



SEAT RAIL AND TRACK INSTALLATION
FIGURE 01 (SHEET 2)

2611M4008
26114005

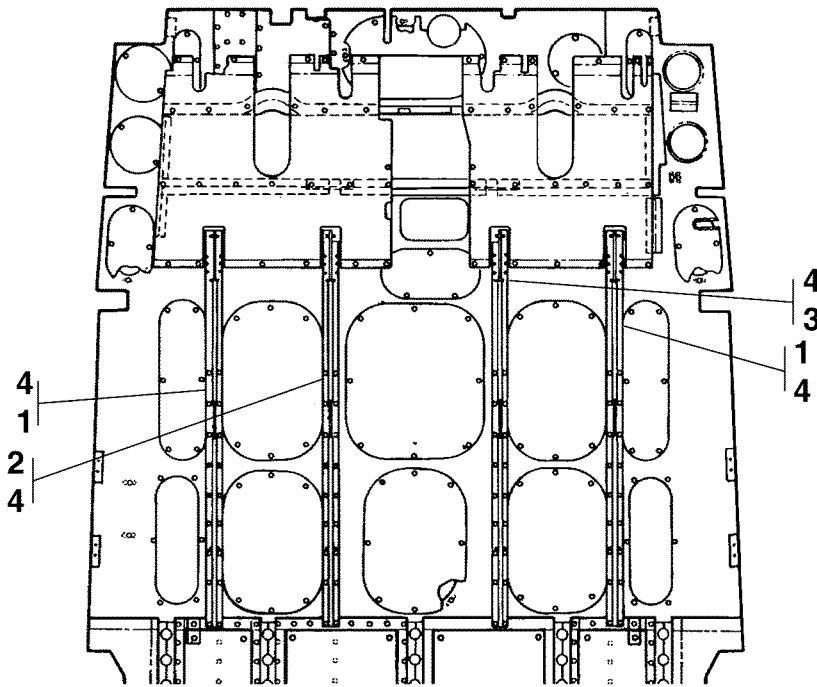
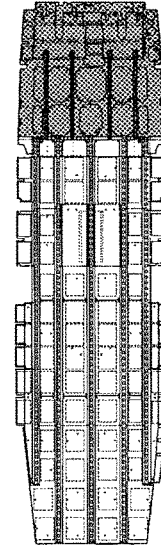
CESSNA®
MODEL 208
 ILLUSTRATED PARTS CATALOG

FIG ITEM	PART NUMBER	NOMENCLATURE	UNITS PER ASSY	
			1 2 3 4 5 6 7	
01				
75	2611060-3	. SEAT TRACK ASSY-LH OUTBD S2617-1		01
76	2611060-8	. SEAT TRACK ASSY-RH OUTBD S2617-1		01
- 77	MS21047L3	. . NUTPLATE		03
78	2611060-2	. SEAT TRACK ASSY-LH INBD FSO 2611060-12	0001	0207 NP
- 79	2611060-12	. SEAT TRACK ASSY-LH INBD S2617-1	0208	& ON 01
- 80	MS21047L3	. . NUTPLATE		06
81	2611060-10	. SEAT TRACK ASSY-RH INBD S2617-1		01
- 82	MS21047L3	. . NUTPLATE		03
83	2611060-1	. SEAT TRACK ASSY-CTR FSO 2611060-14	0001	0207 NP
- 84	2611060-14	. SEAT TRACK ASSY-CTR S2617-1	0208	& ON 01
- 85	MS21047L3	. . NUTPLATE		03

- ITEM NOT ILLUSTRATED

CESSNA®
MODEL 208
ILLUSTRATED PARTS CATALOG

A24745



2611M4006
26114003

SEAT RAIL AND TRACK INSTALLATION
FIGURE 02 (SHEET 1)

CESSNA®
MODEL 208
 ILLUSTRATED PARTS CATALOG

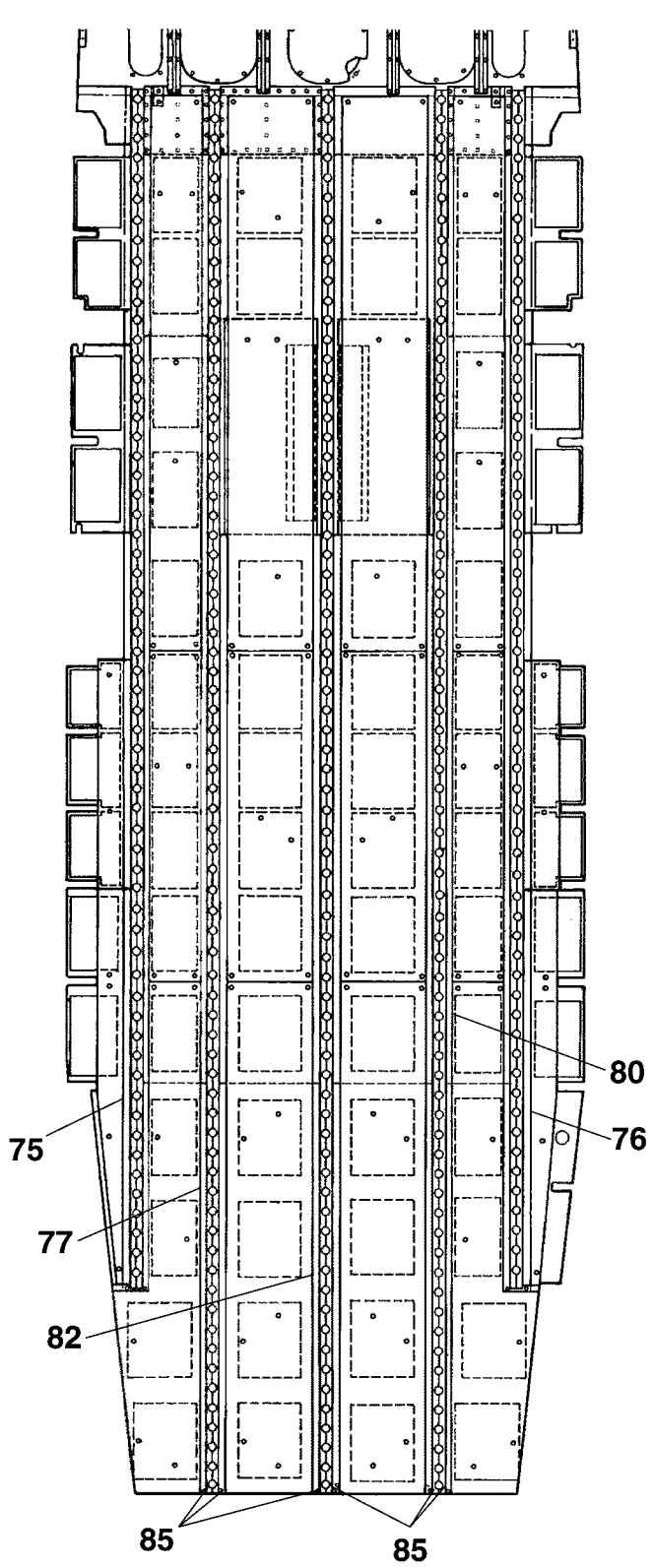
FIG ITEM	PART NUMBER	NOMENCLATURE	UNITS PER ASSY		
			1	2	3
02		SEAT RAIL AND TRACK INSTALLATION			
-		. SEAT RAIL-OUTBD S2343-1	B0001	& ON	RF
1	2601088-3	. SEAT RAIL-LH INBD S2343-1	B0001	B0312	02
2	2601088-1	. SEAT RAIL-RH INBD S2343-1	B0001	B0312	01
3	2601088-2	. SEAT RAIL-PILOT & COPILOT S2343-1 FSO 2613039-3	B0001	B0312	01
4	2613039-2	. SEAT RAIL-PILOT & COPILOT S2343-1 FSO 2613039-4 REFER TO NOTE 1	B0313	B0340	NP
- 5	2613039-3	. SEAT RAIL-PILOT & COPILOT WITH CARGO BARRIER	B0341	B0623	NP R
- 5A	2613039-4	ATTACHING PARTS			
- 5B	2613039-1	SCREW	B0624	B0715	04 R
- 5C	2613039-4	WASHER	B0716	& ON	04
- 6	AN525-10R8	NUT	B0716	& ON	04
- 7	NAS1149F0332P	SCREW			20
- 8	MS21044N3	WASHER	B0247	& ON	18
		NUT	B0247	& ON	18

NOTE 1—AIRPLANES -B0341 THRU -B0623 AND AIRPLANES -B0543 THRU -B0708 INCORPORATING CAB00-12 AND SK208-138.

R

CESSNA®
MODEL 208
ILLUSTRATED PARTS CATALOG

A24746



SEAT RAIL AND TRACK INSTALLATION
FIGURE 02 (SHEET 2)

2611M4007
26114003

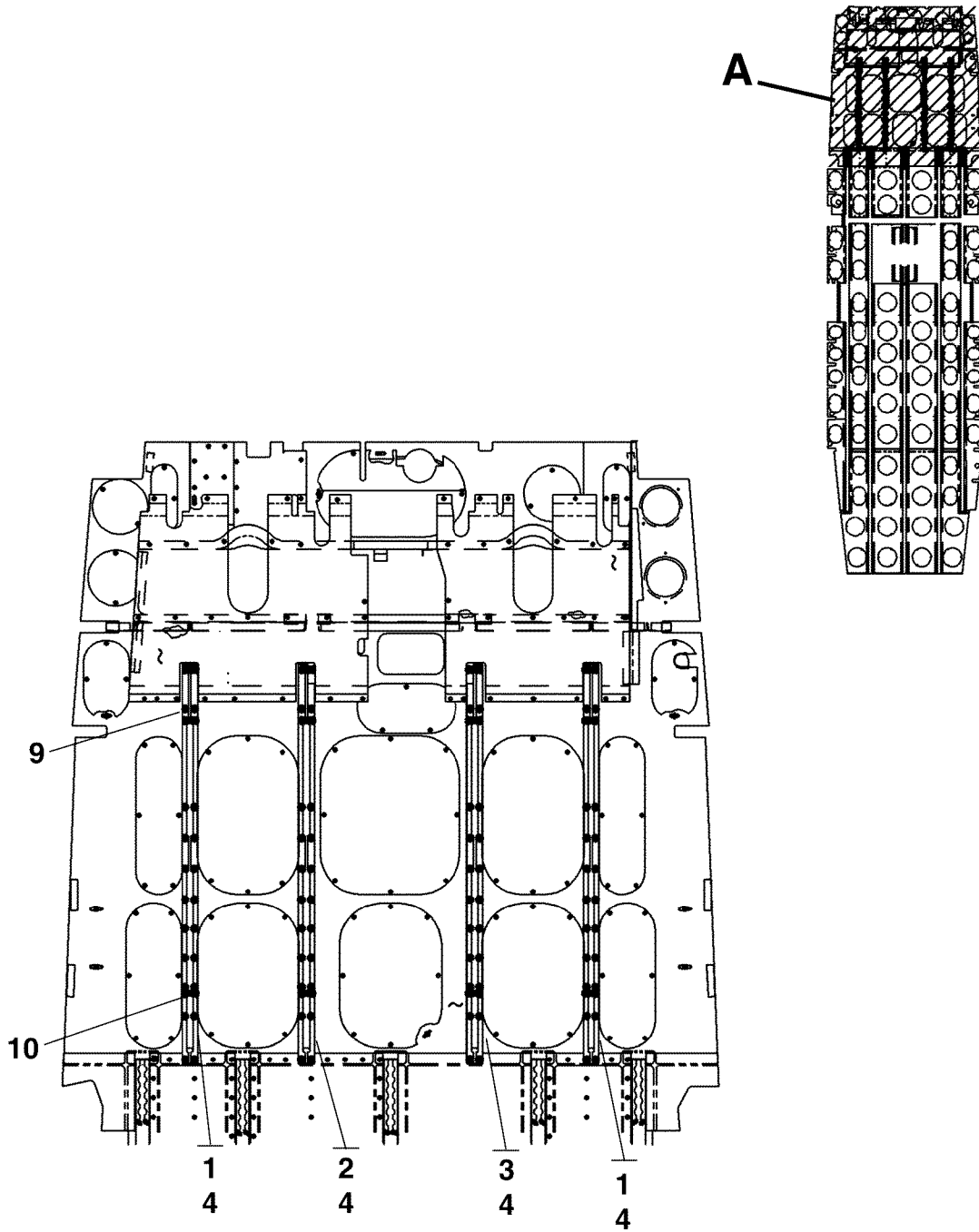
CESSNA®
MODEL 208
 ILLUSTRATED PARTS CATALOG

FIG ITEM	PART NUMBER	NOMENCLATURE	UNITS PER ASSY	
			1 2 3 4 5 6 7	
02				
75	2611040-5	. SEAT TRACK ASSY-LH OUTBD S2617-1		01
76	2611040-4	. SEAT TRACK ASSY-RH OUTBD S2617-1	B0001	B0054 01
- 76A	2611040-12	. SEAT TRACK ASSY-RH OUTBD S2617-1	B0055	& ON 01
77	2611040-3	. SEAT TRACK ASSY-LH INBD FSO 2611040-23	B0001	B0279 NP
- 77A	2611040-15	. SEAT TRACK ASSY-LH INBD FSO 2611040-23	B0001	B0279 NP
- 78	2611040-20	. SEAT TRACK ASSY-LH INBD S2617-1 FSO 2611040-23	B0280	B0764 NP
- 78A	2611040-23	. SEAT TRACK ASSY-LH INBD S2617-1	B0765	& ON 01
- 79	MS21047L3	. . NUTPLATE		06
80	2611040-2	. SEAT TRACK ASSY-RH INBD S2617-1 FSO 2611040-24	B0001	B0213 NP
- 80A	2611040-16	. SEAT TRACK ASSY-RH INBD S2617-1 FSO 2611040-24	B0214	B0764 NP
- 80B	2611040-24	. SEAT TRACK ASSY-RH INBD S2617-1	B0765	& ON 01
- 81	MS21047L3	. . NUTPLATE		03
82	2611040-1	. SEAT TRACK ASSY-CTR FSO 2611040-22	B0001	B0279 NP
- 83	2611040-22	. SEAT TRACK ASSY-CTR S2617-1	B0280	B0764 01
- 83A	2611040-27	. SEAT TRACK ASSY-CTR S2617-1	B0765	& ON 01
- 84	MS21047L3	. . NUTPLATE		03
85	AN525-10R7	. SCREW		06

- ITEM NOT ILLUSTRATED

CESSNA®
MODEL 208
ILLUSTRATED PARTS CATALOG

A24747



DETAIL A

SEAT RAIL AND TRACK INSTALLATION - PASSENGER
FIGURE 03 (SHEET 1)

2611T1016
A2611T1016

CESSNA®
MODEL 208
ILLUSTRATED PARTS CATALOG

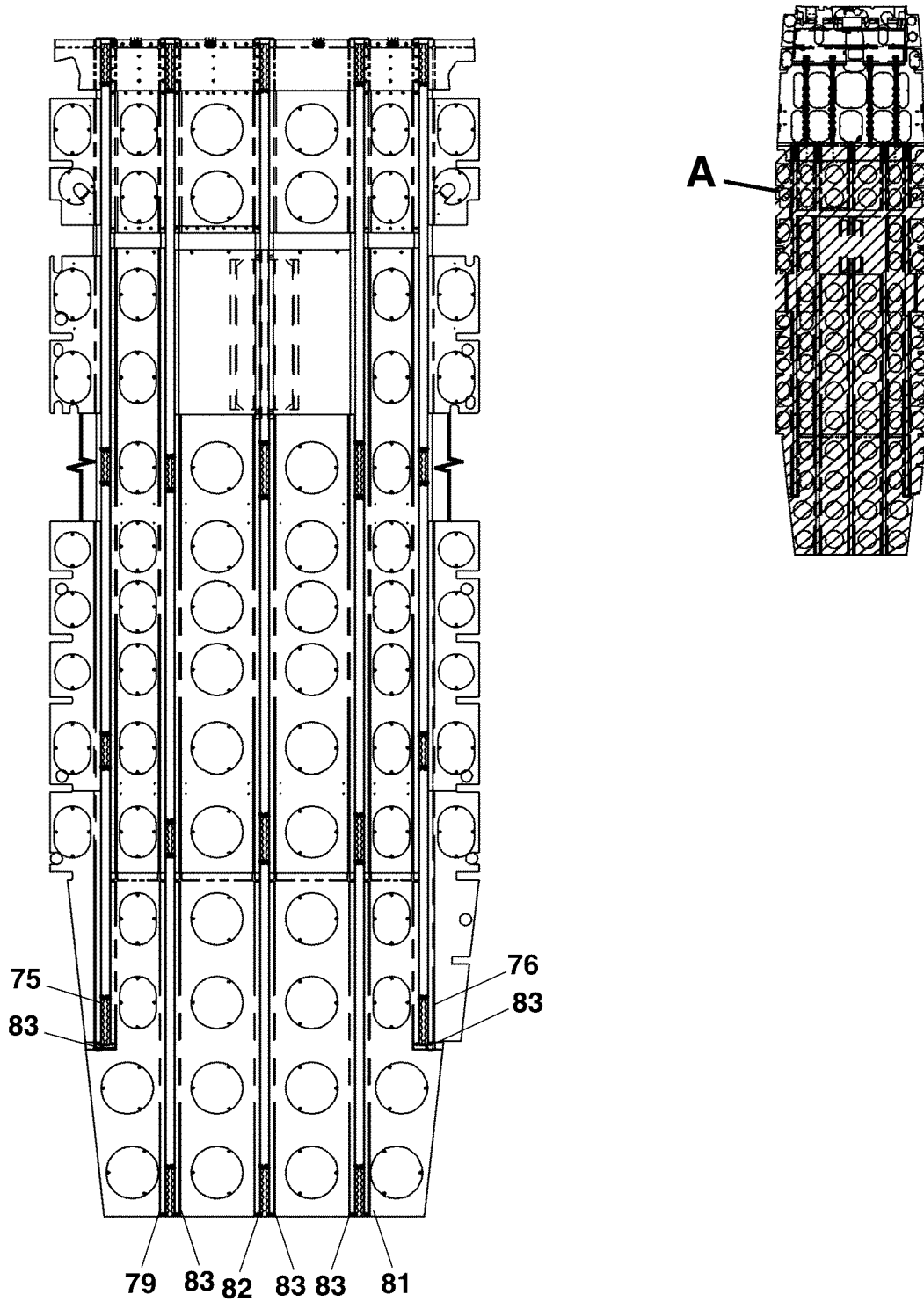
FIG ITEM	PART NUMBER	NOMENCLATURE	UNITS PER ASSY		
			1	2	3
03		SEAT RAIL AND TRACK INSTALLATION - PASSENGER			
-			B0214	& ON	RF
1	2601088-3	. SEAT RAIL-OUTBD S2343-1	B0214	B0312	02
2	2601088-1	. SEAT RAIL-LH INBD S2343-1	B0214	B0312	01
3	2601088-2	. SEAT RAIL-RH INBD S2343-1	B0214	B0312	01
4	2613039-2	. SEAT RAIL-PILOT & COPILOT S2343-1 FSO 2613039-3	B0313	B0340	NP
- 5	2613039-3	. SEAT RAIL-PILOT & COPILOT S2343-1 FSO 2613039-4 REFER TO NOTE 1	B0341	B0623	NP R
- 5A	2613039-4	. SEAT RAIL-PILOT & COPILOT S2343-1	B0624	B0715	04 R
- 5B	2613039-1	. SEAT RAIL-PILOT & COPILOT S2343-1	B0716	& ON	04
- 5C	2613039-4	. SEAT RAIL-PILOT & COPILOT WITH CARGO BARRIER S2343-1	B0716	& ON	04
		ATTACHING PARTS			
- 6	AN525-10R8	. SCREW			20
- 7	NAS1149F0332P	. WASHER			18
- 8	MS21044N3	. NUT			18
		—*—			
9	MS21047L3	. NUTPLATE			03
10	AN3-10A	. BOLT	B0214	B0312	12
- 11	AN3-7A	. BOLT	B0313	& ON	08
- 12	NAS43HT3-12	. SPACER	B0214	B0312	24
- 13	NAS43HT3-12	. SPACER	B0313	& ON	16
- 14	MS21044N3	. NUT	B0214	B0312	12
- 15	MS21044N3	. NUT	B0313	& ON	08

NOTE 1—AIRPLANES -B0341 THRU -B0623 AND AIRPLANES -B0543 THRU -B0708 INCORPORATING CAB00-12 AND SK208-138.

R

CESSNA®
MODEL 208
ILLUSTRATED PARTS CATALOG

A24748



DETAIL A

SEAT RAIL AND TRACK INSTALLATION - PASSENGER
FIGURE 03 (SHEET 2)

2611T1016
A2611T1016

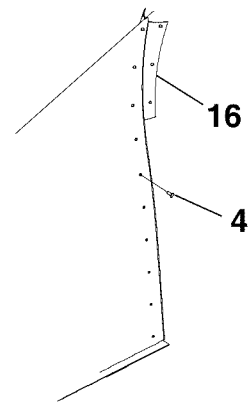
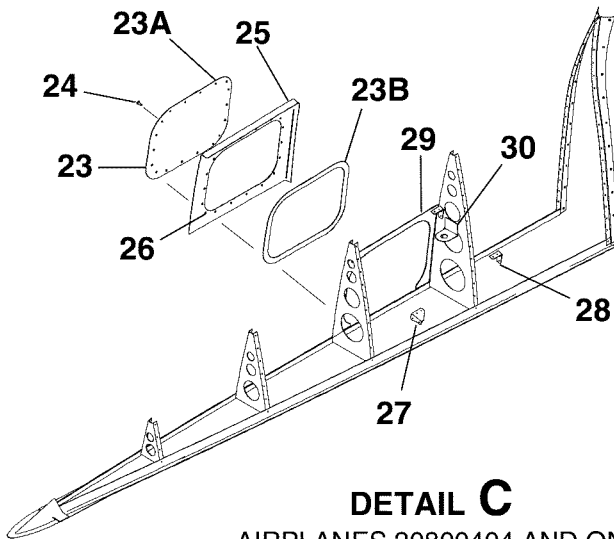
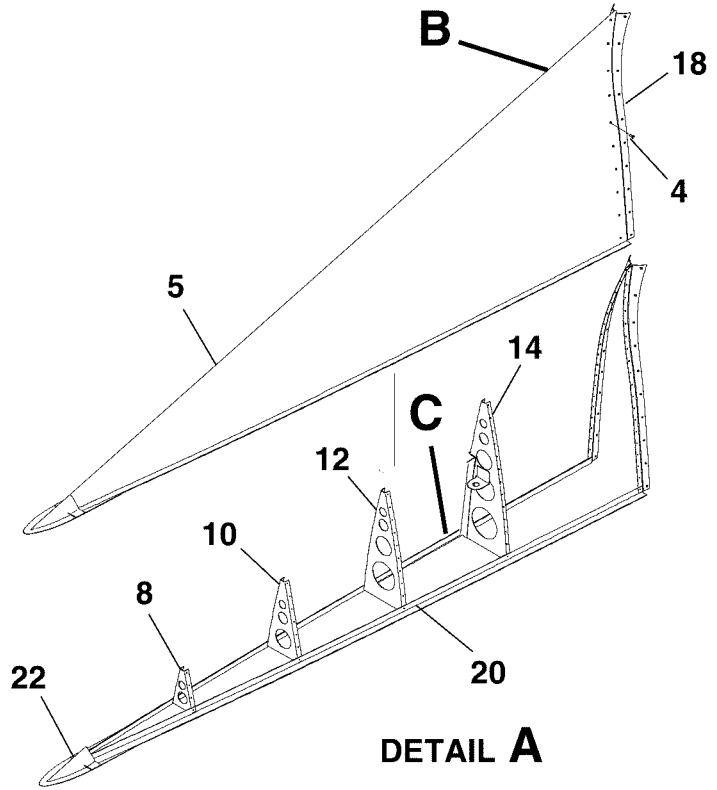
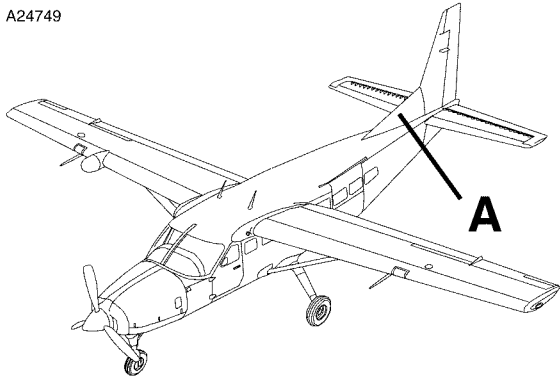
CESSNA®
MODEL 208
 ILLUSTRATED PARTS CATALOG

FIG ITEM	PART NUMBER	1 2 3 4 5 6 7	NOMENCLATURE	UNITS PER ASSY		
03						
75	2611040-5		. SEAT TRACK ASSY-LH OUTBD S2617-1			01
76	2611040-12		. SEAT TRACK ASSY-RH OUTBD S2617-1			01
			ATTACHING PARTS			
- 77	AN525-10R8		. SCREW			02
			—*—			
- 78	MS21047L3		. . NUTPLATE			03
79	2611040-15		. SEAT TRACK ASSY-LH INBD S2617-1 FSO 2611040-23	B0214	B0279	NP
- 79A	2611040-20		. SEAT TRACK ASSY-LH INBD S2617-1 FSO 2611040-23	B0280	B0764	NP
- 79B	2611040-23		. SEAT TRACK ASSY-LH INBD S2617-1	B0765	& ON	01
- 80	MS21047L3		. . NUTPLATE	B0214	B0279	03
				B0765	& ON	
- 80A	MS21047L3		. . NUTPLATE	B0280	B0764	06
81	2611040-16		. SEAT TRACK ASSY-RH INBD S2617-1 FSO 2611040-24	B0214	B0764	NP
- 81A	2611040-24		. SEAT TRACK ASSY-RH INBD S2617-1	B0765	& ON	01
82	2611040-1		. SEAT TRACK ASSY-CENTER S2617-1 FSO 2611040-22	B0214	B0279	NP
- 82A	2611040-22		. SEAT TRACK ASSY-CENTER S2617-1	B0280	B0764	01
- 82B	2611040-27		. SEAT TRACK ASSY-CENTER S2617-1	B0765	& ON	01
			ATTACHING PARTS			
83	AN525-10R7		. SCREW			02
			—*—			
- 84	MS21047L3		. . NUTPLATE	B0214	B0279	06
- 84A	MS21047L3		. . NUTPLATE	B0280	& ON	03

- ITEM NOT ILLUSTRATED

CESSNA®
MODEL 208
 ILLUSTRATED PARTS CATALOG

A24749



DETAIL C

AIRPLANES 20800404 AND ON
 AND AIRPLANES 208B01232 AND ON

DETAIL B

AIRPLANES 20800001 THRU 20800098

2610T7005
 A26312002
 B26312002A
 C2631T1004

TAILCONE DORSAL ASSEMBLY
 FIGURE 01 (SHEET 1)

53-50-00

Figure 01
 Page 0
 Jun 1/2018

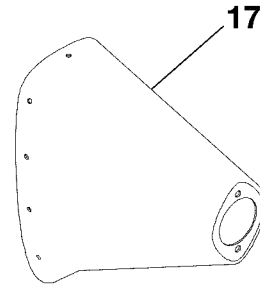
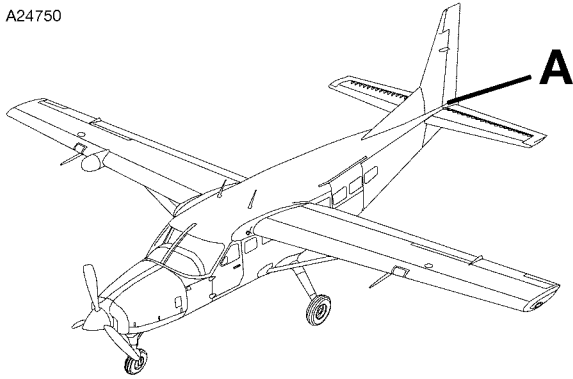
CESSNA®
MODEL 208
ILLUSTRATED PARTS CATALOG

FIG ITEM	PART NUMBER	NOMENCLATURE	UNITS PER ASSY		
			1	2	3
01		TAILCONE DORSAL ASSEMBLY			RF
- 1	2631031-1	. DORSAL ASSY-TAILCONE	0001	0098	01
- 2	2631031-14	. DORSAL ASSY-TAILCONE FSO 2631040-1	0099	0131	NP
			B0001	B0054	
- 3	2631040-1	. DORSAL ASSY-TAILCONE	0132	0403	01
			B0055	B1231	
- 3A	2631040-3	. DORSAL ASSY-TAILCONE	0404	0610	01 R
			B1232	B5433	
- 3B	2631040-15	. DORSAL ASSY-TAILCONE	0611	& ON	01 R
			B5434	& ON	
		ATTACHING PARTS			
4	AN525-10R6	. . SCREW			20
		—*—			
5	2631031-3	. . SKIN-DORSAL .025 2024 T3	0001	0098	01
- 6	2631031-13	. . SKIN-DORSAL .025 2024 T3	0099	0131	01
			B0001	B0054	
- 7	2631040-2	. . SKIN-DORSAL .025 2024 T3	0132	0403	01
			B0055	B1231	
- 7A	2631040-6	. . SKIN-DORSAL .025 2024 T3	0404	& ON	01
			B1232	& ON	
8	2631031-5	. . RIB STA 336.85 .025 2024 T42			01
- 9	2631031-5	. . RIB STA 384.45 .025 2024 T42			01
10	2631031-6	. . RIB STA 351.65 .025 2024 T42			01
- 11	2631031-6	. . RIB STA 399.65 .025 2024 T42			01
12	2631031-7	. . RIB STA 366.45 .025 2024 T42 FSO 2631031-15	0132	0403	NP
			B0001	B1231	
- 13	2631031-15	. . RIB-DORSAL 366.45 .025 2024 T42	0404	& ON	01
			B1232	& ON	
14	2631031-8	. . RIB STA 381.25 .025 2024 T42			01
- 15	2631031-8	. . RIB STA 429.25 .025 2024 T42			01
16	2631031-9	. . BRACKET-LH ATTACH .025 2024 T42 FSO 2631031-11	0001	0098	NP
- 17	2631031-10	. . BRACKET-RH ATTACH .025 2024 T42 FSO 2631031-12	0001	0098	NP
18	2631031-11	. . BRACKET-LH ATTACH .025 2024 T42	0099	& ON	01
			B0001	& ON	
- 19	2631031-12	. . BRACKET-RH ATTACH .025 2024 T42	0099	& ON	01
			B0001	& ON	
20	2631041-1	. . ATTACH ANGLE-LH .025 2024 T3	0132	& ON	01
			B0055	& ON	
- 21	2631041-2	. . ATTACH ANGLE-RH .025 2024 T3	0132	0403	01
			B0055	B1231	
- 21A	2631041-3	. . ATTACH ANGLE-LH .025 2024 T3	0404	0610	01 R
			B1232	B5433	
- 21B	2631041-4	. . ATTACH ANGLE-RH .025 2024 T3	0404	0610	01 R
			B1232	B5433	
- 21C	2631041-5	. . ATTACH ANGLE-LH .025 2024 T3	0611	& ON	01 R
			B5434	& ON	
- 21D	2631041-6	. . ATTACH ANGLE-RH .025 2024 T3	0611	& ON	01 R
			B5434	& ON	
22	2631031-4	. . DORSAL-FORWARD .025 2024 T42	0132	0403	01
			B0055	B1231	
- 22A	2631040-13	. . DORSAL-FORWARD .025 2024 T3	0404	& ON	01
			B1232	& ON	
23	2631040-4	. . DOOR ASSEMBLY	0404	& ON	01
			B1232	& ON	
23A	2631040-7	. . . DOOR	0404	& ON	01
			B1232	& ON	
23B	2631040-11	. . . GASKET	0404	& ON	01
			B1232	& ON	
		ATTACHING PARTS			
24	AN525-832R7	. . SCREW	0404	& ON	18
			B1232	& ON	
		—*—			
25	2631040-5	. . DOUBLER ASSEMBLY	0404	& ON	01
			B1232	& ON	
26	MS21075-08N	. . . NUTPLATE	0404	& ON	01
			B1232	& ON	
27	2631040-10	. . CLIP-FWD	0404	& ON	01
			B1232	& ON	
28	2631040-9	. . CLIP-AFT	0404	& ON	01
			B1232	& ON	
29	2631040-12	. . SHIM	0404	& ON	01
			B1232	& ON	
30		. BRACKET-BUZZER-REFER TO 25-60-00 FIGURE 07	0404	& ON	RF
			B1232	& ON	

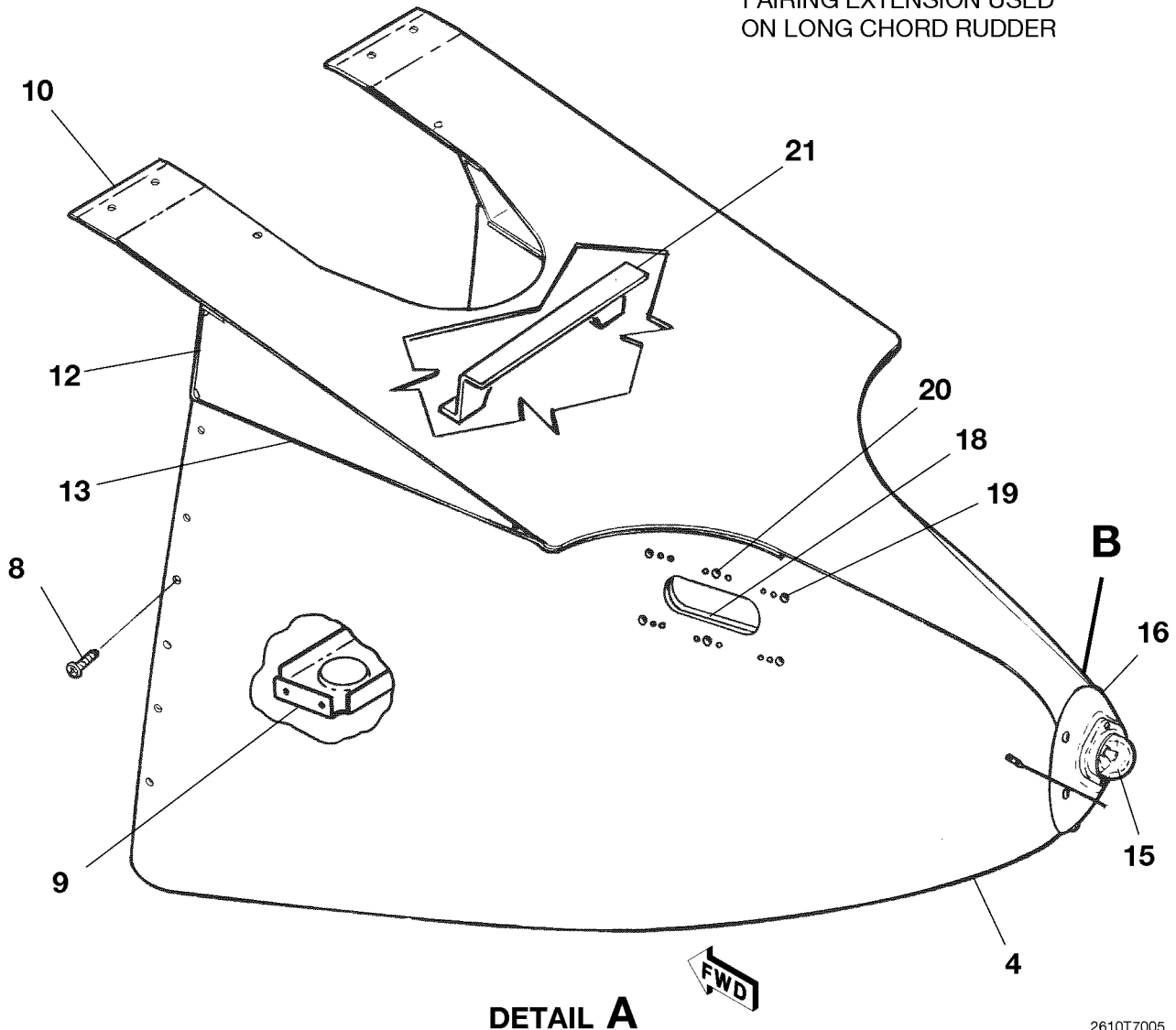
- ITEM NOT ILLUSTRATED

CESSNA®
MODEL 208
ILLUSTRATED PARTS CATALOG

A24750



DETAIL B
FAIRING EXTENSION USED
ON LONG CHORD RUDDER



DETAIL A
STINGER AND FAIRING ASSEMBLY
FIGURE 01 (SHEET 1)

2610T7005
A2612R1003A
B2612T1006

CESSNA®
MODEL 208
ILLUSTRATED PARTS CATALOG

FIG ITEM	PART NUMBER	NOMENCLATURE	UNITS PER ASSY		
			1	2	3
01		STINGER AND FAIRING ASSEMBLY			RF
-		. STINGER & FAIRING ASSEMBLY-PASSENGER VERSION	0001	0236	01
- 1	2612047-1		B0214	B0381	
- 1A	2612047-22	. STINGER & FAIRING ASSEMBLY-PASSENGER VERSION	0237	0395	01 R
			B0382	B4999	
- 1B	2612047-39	. STINGER & FAIRING ASSEMBLY-PASSENGER VERSION	B5000	& ON	01
- 2	2612047-17	. STINGER & FAIRING ASSEMBLY-CARGO VERSION	0001	0236	01
			B0001	B0381	
- 2A	2612047-30	. STINGER & FAIRING ASSEMBLY-CARGO VERSION	0237	& ON	01
			B0382	B4999	
- 2B	2612047-40	. STINGER ASSY & FAIRING ASSEMBLY-CARGO VERSION	B5000	& ON	01
- 3	2612047-18	. STINGER & FAIRING ASSEMBLY USED WITH LONG CHORD RUDDER	0146	0236	01
- 3A	2612047-23	. STINGER & FAIRING ASSEMBLY USED WITH LONG CHORD RUDDER	0237	& ON	01
4	2612047-2	. STINGER ASSY-PASSENGER VERSION	0001	0236	01
			B0214	B0381	
- 4A	2612047-24	. STINGER ASSY-PASSENGER VERSION	0237	0416	01
			B0382	B1264	
- 4B	2612047-34	. STINGER ASSY-PASSENGER VERSION	0417	& ON	01
			B1265	& ON	
- 5	2612047-14	. STINGER ASSY-CARGO VERSION	0001	0236	01
			B0001	B0381	
- 5A	2612047-31	. STINGER ASSY-CARGO VERSION	0237	0416	01
			B0382	B1264	
- 5B	2612047-36	. STINGER ASSY-CARGO VERSION	0417	& ON	01
			B1265	& ON	
- 6	2612047-19	. STINGER ASSY USED WITH LONG CHORD RUDDER	0146	0236	01
- 6A	2612047-25	. STINGER ASSY USED WITH LONG CHORD RUDDER	0237	0416	01
- 6B	2612047-35	. STINGER ASSY USED WITH LONG CHORD RUDDER	0417	& ON	01
- 7	2612144-1	. STIFFENER USED ON 2612047-34, -35, AND -36			01
		ATTACHING PARTS			
8	AN525-10R6	. SCREW			22
		—*			
9	2612096-1	. STIFFENER-STINGER .025 2024 T42			01
10	2612047-7	. FAIRING PLATE-UPPER .025 2024 T3	0001	0236	01
			B0001	B0381	
- 11	2612047-26	. FAIRING PLATE-UPPER .025 2024 T3	0237	& ON	01
			B0382	& ON	
12	2612047-8	. FAIRING PLATE-LOWER .025 2024 T3			01
13	2612047-5	. RIB-LH .020 2024 T3			01
- 14	2612047-6	. RIB-RH .020 2024 T3			01
15		. TAIL NAVIGATION LIGHT ASSY REFER TO 33-41-00 FIGURE 02			RF
16	2612047-11	. PAN-TAIL NAVIGATION LIGHT MOUNTING	0001	& ON	01
			B0214	B4999	
- 16A	2612047-38	. PAN-TAIL NAVIGATION LIGHT MOUNTING	B5000	& ON	01
17	2612115-1	. EXTENSION-FAIRING USED WITH LONG CHORD RUDDER	0146	0663	01 R
- 17A	2612115-2	. EXTENSION-FAIRING USED WITH LONG CHORD RUDDER	0064	& ON	01 R
18	AT-RL1119	. DOUBLER ASSY	V0TVR6	0237	& ON
			B0382	& ON	01
19	NAS696A08	. NUTPLATE	0237	& ON	04
			B0382	& ON	
20	MS21047L08K	. NUTPLATE	0237	& ON	02
			B0382	& ON	
21	AT-RL1024	. DOUBLER	V0TVR6	0237	& ON
			B0382	& ON	01

- ITEM NOT ILLUSTRATED